

NIBCO® Press System® Bronze Ball Valves

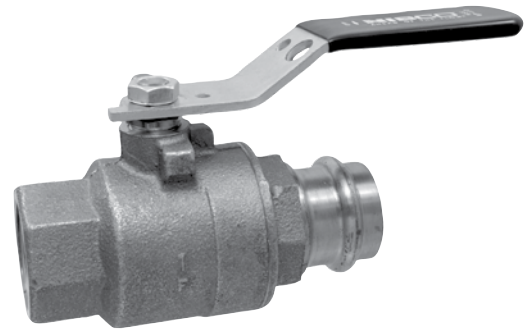
Two-Piece Body • Full Port • Stainless Trim • Blowout-Proof Stem
• Vented Ball • Conforms to MSS SP-110

250 PSI/17.2 Bar Non-Shock Cold Working Pressure
250°F Maximum Operating Temperature



MATERIAL LIST

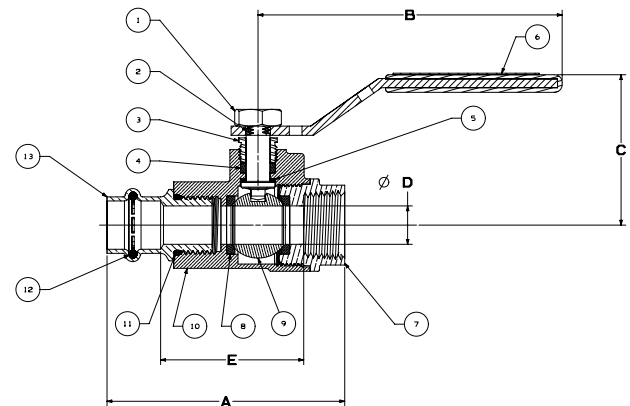
PART	SPECIFICATION
1. Handle Nut	300 Series Stainless Steel
2. Stem	Stainless Steel ASTM A276 Type 316
3. Pack Gland	Brass ASTM B16 Alloy C36000
4. Packing, Stem	PTFE
5. Thrust Washer	Reinforced PTFE
6. Handle Assembly	Plated Steel with Plastisol Coating
7. Body End	Bronze ASTM B584 Alloy C84400
8. Seat Ring (2)	Reinforced PTFE
9. Ball (vented)	Stainless Steel ASTM A276 Type 316 or ASTM A351 Type CF8M
10. Body	Bronze ASTM B584 Alloy C84400
11. Boss seal o-ring	EPDM
12. O-Ring	EPDM
13. Press End Adapter	Wrot Copper ASTM B75 Alloy C12200



TPC-585-70-66
Thread x Press
Female

DIMENSIONS—WEIGHTS—QUANTITIES

SIZE	Dimensions										Weight		Master Ctn. Qty.	
	A		B		C		D		E		Lbs.	Kg.		
In. mm.	In.	mm.	In.	mm.	In.	mm.	In.	mm.	In.	mm.	Lbs.	Kg.		
1/2"	15	3.10	79	3.96	101	1.96	50	0.50	13	1.86	47	0.85	0.39	50
3/4"	20	3.96	101	4.76	121	2.28	58	0.75	19	2.45	62	1.50	0.68	30
1"	25	4.47	114	4.76	121	2.48	63	1.00	25	2.92	74	2.00	0.91	20
1 1/4"	32	4.99	127	6.75	171	3.09	78	1.25	32	3.30	84	3.55	1.61	12
1 1/2"	40	5.90	150	6.75	171	3.32	84	1.50	38	3.84	98	4.90	2.22	6
2"	50	6.61	168	6.75	171	3.56	90	2.00	51	4.38	111	6.90	3.13	6



TPC-585-70-66
NPT x P

NIBCO® Press System® ball valves are designed to meet MSS SP-110 with the exception of the end connection. Ball valves are down-rated from 600 PSI CWP to 250 PSI CWP to match the Press System®. Male and female press-to-connect ends are new technology not yet covered in the current edition of this specification.

Handle Options:

- Stainless Steel Lever
- NIB-Seal®
- Locking lever
- Stainless Steel Locking Lever
- Memory stop
- Extended lever w/ memory stop
- Round
- Wing
- Horizontal and vertical chain

Visit our website for the most current information.