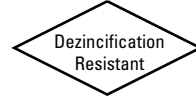
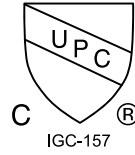


# Lead-Free\* Bronze Ball Valves

Silicon Performance Bronze™ Alloy • Two-Piece Body • Full Port • Stainless Trim •  
3/4" Hose Connection with Cap and Chain • Blowout-Proof Stem •  
MSS SP-110 • NSF/ANSI-61-9 and NSF/ANSI-372



**Size Range: 1/2" & 3/4"**  
**Pressure Rating: 600 PSI Non-Shock Cold Working Pressure**

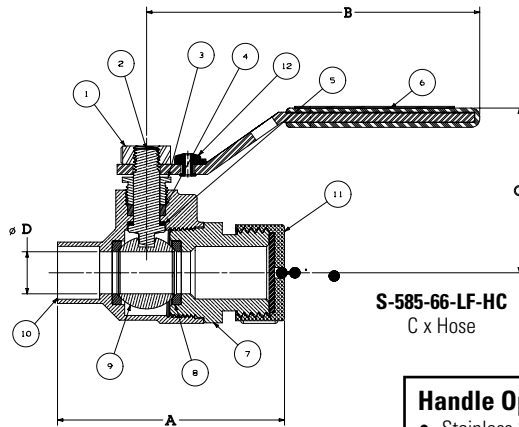
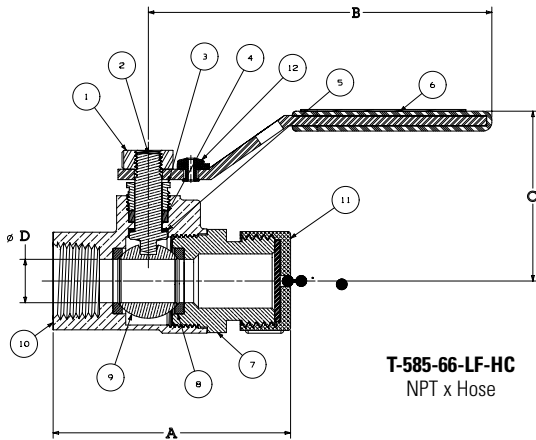
Lead-Free\* markings:  
Double oval in body casting, white handle and blue hang tag

## MATERIAL LIST

| PART             | SPECIFICATION   |
|------------------|---|
| 1. Handle Nut    | Steel, Plated   |
| 2. Stem          | Stainless Steel ASTM A 276 Type 316                         |
| 3. Pack Gland    | Brass ASTM B16 Alloy C36000                                 |
| 4. Packing, Stem | Virgin PTFE   |
| 5. Thrust Washer | Reinforced PTFE   |
| 6. Handle        | Steel, Plated Plastisol Coated                              |
| 7. Hose Body End | Silicon Bronze ASTM B371 Alloy C69300                       |
| 8. Seat Ring (2) | Reinforced PTFE   |
| 9. Ball          | Stainless Steel ASTM A 276 Type 316 or ASTM A 351 Type CF8M |
| 10. Body         | Silicon Bronze ASTM B584 Alloy C87600                       |
| 11. 1Cap         | Die Cast Brass, EPDM Gasket                                 |
| 12. Pop Rivet    | Stainless Steel   |

<sup>1</sup>Cap is for hose end thread protection only. Not to be used for pressure containing purposes.

Note: Valves designed to MSS SP 110 with exception of the hose end connection which is not covered by the standard.



- Handle Options:**
- Stainless Steel Lever
  - NIB-Seal®
  - Locking lever
  - Stainless Steel Locking Lever
  - Memory stop
  - Extended lever w/ memory stop
  - Round
  - Wing
  - Horizontal and vertical chain

## DIMENSIONS—WEIGHTS—QUANTITIES

| SIZE | A   |      | B   |      | C   |      | D   |      | E   |      | F   |      | G   |      | Weight |        |        |      |      |     |
|------|-----|------|-----|------|-----|------|-----|------|-----|------|-----|------|-----|------|--------|--------|--------|------|------|-----|
|      | In. | mm.  | In. | mm.  | In. | mm.  | In. | mm.  | In. | mm.  | In. | mm.  | In. | mm.  | Thread | Solder | Master |      |      |     |
| 1/2  | 15  | 2.74 | 70  | 3.96 | 101 | 1.96 | 50  | 0.5  | 13  | 5.06 | 129 | 1.19 | 30  | 0.53 | 13     | 0.80   | 0.36   | 0.74 | 0.34 | 100 |
| 3/4  | 20  | 3.14 | 80  | 4.76 | 121 | 2.28 | 58  | 0.75 | 19  | 6.15 | 156 | 1.71 | 43  | 0.55 | 14     | 1.46   | 0.66   | 1.42 | 0.65 | 50  |

\*Weight change due to center 0.25/25%