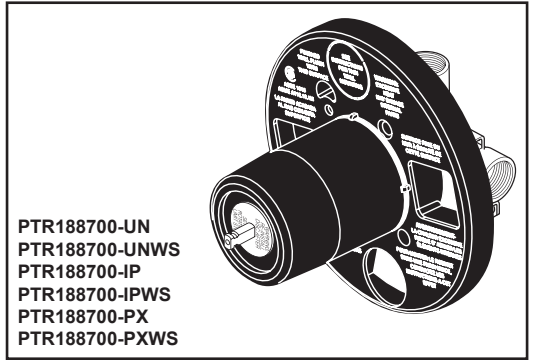
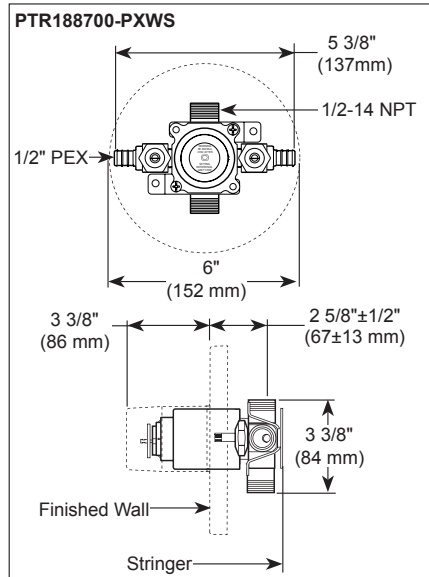
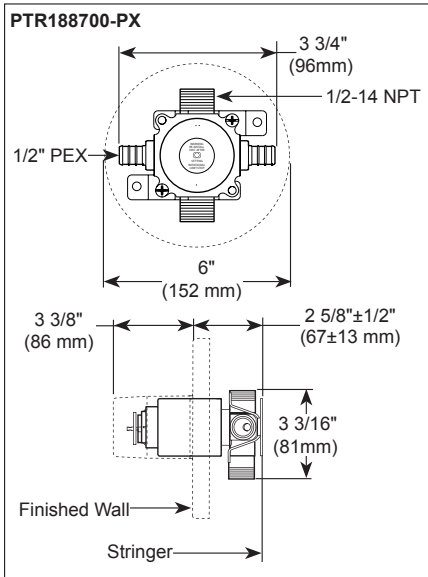
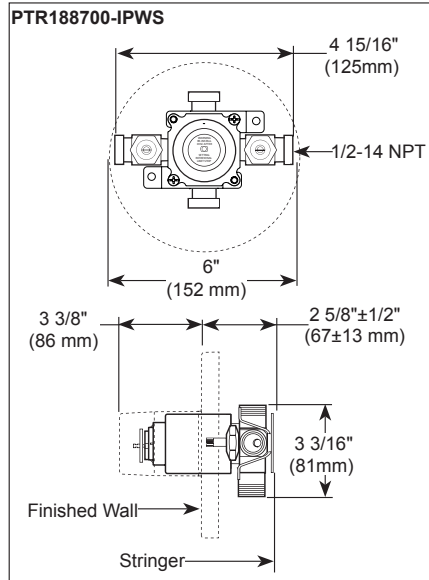
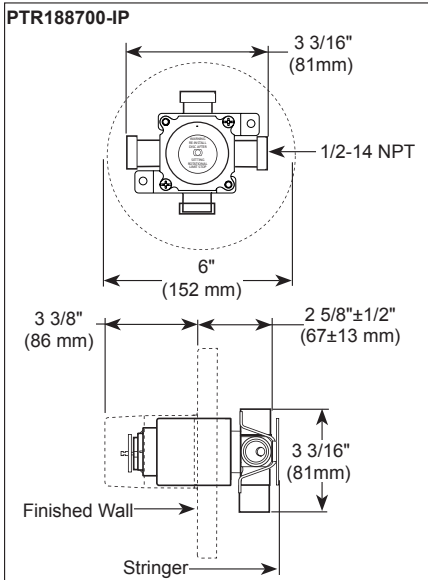
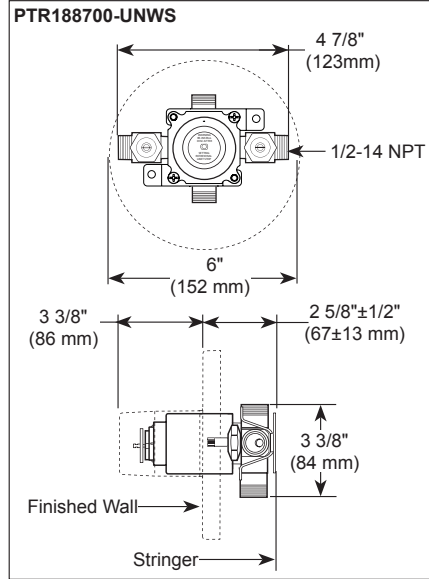
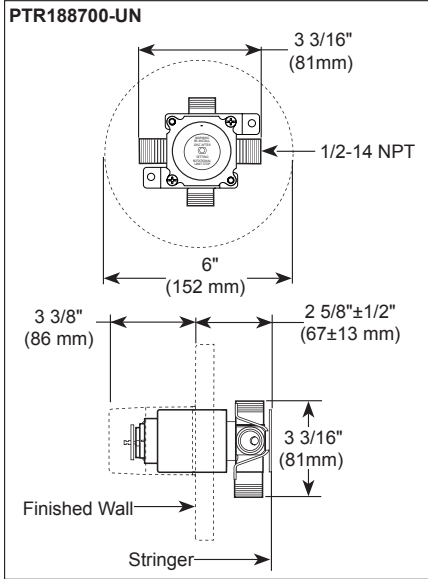


# PEERLESS®

PTR188700



## ROUGH-IN:

### PTR188700-UN

Male thread without stops

### PTR188700-UNWS

Male thread with stops

### PTR188700-IP

Female thread without stops

### PTR188700-IPWS

Female thread with stops

### PTR188700-PX

Male thread outlet, PEX crimp inlet, without stops

### PTR188700-PXWS

Male thread outlet, PEX crimp inlet, with stops

## STANDARD SPECIFICATIONS:

- Pressure Balance Valve Body.
- Back-to-back installation capability.
- Cartridge utilizes integral check valves to prevent the cross flow of water within the valve. Valve reduces the loss of water to 0.5 GPM within 5 seconds of the complete loss of pressure in the cold water supply line. Outlet water temperature is maintained within ± 3 °F variation with changes in either hot or cold supply of up to 50 percent of the normal supply pressure. Temperature is controlled by handle with cold water always coming on first.
- Forged brass body.
- Field adjustable means to limit handle rotation into hot water zone.
- Temperature control to rotate a maximum of 120° from full cold to the maximum temperature.
- Single Handle.
- Temperature only controlled with handle.

## WARRANTY

- Parts and Finish – Lifetime limited warranty; or for commercial purchasers, 10 years for multi-family residential (apartments and condominiums) and 5 years for all other commercial uses, in each case from the date that the product is received by the original purchaser or their authorized representative (installation contractor, etc.).
- Please go to [www.peerlessfaucet.com](http://www.peerlessfaucet.com) for the complete details of our limited warranty.

## COMPLIES WITH:

- ASME A112.18.1 / CSA B125.1
- ASSE 1016 / ASME A112.1016 / CSA B125.16