

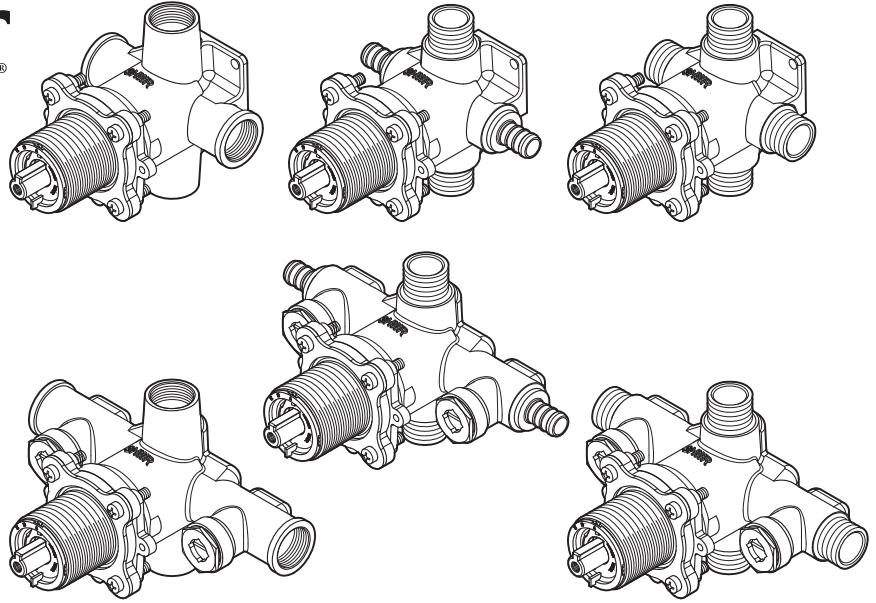
Price Pfister

0X8 • JX8 Series
Serie 0X8 • JX8
Série 0X8 • JX8

TUB & SHOWER
Single Control, Pressure Balancing
Valve Body

Cuerpo de válvula monomando de equilibrio
de presión para
BAÑERÍA Y DUCHA

BAIN ET DOUCHE
Corps de mitigeur à régulation de pression



Price Pfister
Lifetime Limited Mechanical & Pfinish Warranty
Covers Pfinish and Pfunction for as Long as You
Own Your Home
(Commercial Applications Limit the Duration of the
Warranties as Provided Below)

Price Pfister provides the following Warranties for its products. Proof of Purchase may be required in order to obtain any of the benefits set forth below.

Limited Warranties: Price Pfister warrants that for as long as the original purchaser owns the home in which the Price Pfister product (the "Product") is originally installed, the Product will be free of all defects in material and workmanship that would impair the intended and proper use of the Product. If the Product is installed in a commercial application, the above mechanical warranty shall be limited for a period of ten (10) years from the date of purchase of the Product.

Price Pfister warrants against deterioration of the Product's finish for as long as the original purchaser owns the home in which the Product is originally installed. If the Product is installed in a commercial application, the above finish warranty for Products that do not contain the Pforever finish shall be limited to a period of five (5) years from the date of purchase.

Exclusive Remedy: In the event of any defect in the Product that breaches the foregoing warranties, Price Pfister, at its option, will repair or replace the defective part of the Product. Repair or replacement of the Product is the exclusive remedy.

For any remedy under this warranty, Price Pfister is to be notified describing the problem. In order to notify Price Pfister and receive assistance or service under this warranty, the original purchaser may: (1) call 1-800-Pfauccet (1-800-732-8238) for a consumer service representative who can assist you, or (2) write consumer service department c/o Price Pfister Inc., 19701 DaVinci, Lake Forest, CA 92610, and include a description of the problem, model number, your name, address, phone number and approximate date of purchase, or (3) email Price Pfister's customer service department by going to www.PricePfister.com, or (4) notify the location or distributor from which the Product was purchased. In any case, you may be required to return the Product to Price Pfister for inspection and proof of purchase may be required.

Limitations and Exclusions:
PRICE PFISTER WILL NOT BE LIABLE FOR ANY OTHER DAMAGES OR LOSSES, INCLUDING, BUT NOT LIMITED TO, INCIDENTAL AND/OR CONSEQUENTIAL DAMAGES, REGARDLESS OF THE LEGAL THEORY ASSERTED, INCLUDING ANY CLAIM OR BREACH OF WARRANTY HEREUNDER OR ANY OTHER CAUSE, AND WHETHER ARISING IN CONTRACT OR IN TORT (including negligence and strict liability).

Price Pfister has the right to discontinue or modify any product at any time. Some states do not allow limitations or exclusions of incidental or consequential damages, so the above limitations or exclusions may not apply to you. This warranty gives you specific legal rights, and you may also have other rights which vary from state to state.

The above warranties do not cover damage resulting from improper maintenance, repair, cleaning or installation, misuse, abuse, alterations, accidents or acts of God.



Price Pfister
Garantía Mecánica y sobre el Acabado Limitada por Vida.
Cubre las funciones y el acabado por el tiempo en que usted sea propietario de su casa.
(Las Aplicaciones Comerciales Limitan la Duración de la Garantía.)

Price Pfister suministra las siguientes Garantías para sus productos. Es posible que se requiera la presentación de una Prueba de compra para obtener cualquiera de los beneficios indicados en la continuación.

Garantías Limitadas: Price Pfister garantiza que por el tiempo en que el comprador original sea propietario de la casa en la que se hubiese instalado inicialmente el producto Price Pfister (el "Producto"), este Producto estará libre de defectos de material y mano de obra que pueda afectar el uso apropiado y el correcto del Producto. Si el Producto se instala en una aplicación comercial, la garantía mecánica que antecede estará limitada a un periodo de diez (10) años a partir de la fecha de compra del Producto.

Price Pfister garantiza el acabado del Producto contra deterioro por el tiempo en que el comprador original sea propietario de la casa en la que hubiese instalado inicialmente el Producto. Si el Producto se instala en una aplicación comercial, la garantía sobre el acabado que precede para el Producto que no contengan el acabado "Pforever" estará limitada a un periodo de cinco (5) años a partir de la fecha de compra.

Recurso exclusivo: En el caso de que haya un defecto en el Producto que cubra las garantías que preceden, Price Pfister, a su opción, reparará o reemplazará la pieza defectuosa del Producto. La reparación o el reemplazo del Producto es el recurso exclusivo.

Para todo recurso con respecto a esta garantía, Price Pfister deberá ser notificado, con una descripción del problema. Para notificar a Price Pfister y recibir ayuda o servicio bajo esta garantía, el comprador original puede: (1) llamar al 1-800-Pfauccet (1-800-732-8238) para hablar con un representante de servicio al cliente que lo pueda ayudar, o (2) escribir al departamento de servicio al consumidor, c/o Price Pfister Inc., 19701 DaVinci, Lake Forest, CA 92610 U.S.A., e incluir una descripción del problema, el número del modelo, su nombre, dirección, número de teléfono y fecha aproximada de compra, o (3) enviar un e-mail al departamento de servicio al consumidor de Price Pfister entrando en la página web www.PricePfister.com, o (4) avisarle al lugar o al distribuidor en donde se compró el Producto. En cualesquiera de los casos, podría pedirsele devolver el Producto a Price Pfister para su inspección y es posible que se requiera la presentación de una prueba de compra.

Limitaciones y Exclusiones:
PRICE PFISTER NO SE HARÁ RESPONSABLE DE NINGÚN OTRO DAÑO O PERJUICIO, INCLUYENDO, PERO SIN ESTAR LIMITADO A DAÑOS INCIDENTALES Y/O CONSECUENTES, SIN IMPORTAR LA TEORÍA LEGAL A LA QUE SE ALEGUE, INCLUYENDO TODO RECLAMO O VIOLACIÓN DE LA GARANTÍA PRESENTE O CUALQUIER OTRA CAUSA, Y YA SEAN COMO RESULTADO DE LA LEY CONTRACTUAL O LA DE ANTECEDENTES (incluyendo negligencia y responsabilidad estricta).

Price Pfister tiene el derecho de discontinuar o modificar cualquier producto en cualquier momento. Ciertos estados no permiten limitaciones o exclusiones de daños incidentales o consecuentes, de manera que es posible que las limitaciones o exclusiones que preceden no correspondan en su caso. Esta garantía le otorga derechos legales específicos y es posible que usted también tenga otros derechos que difieren entre un estado y otro.

Las garantías que preceden no cubren daños y perjuicios ocasionados como resultado de mantenimiento, reparaciones, limpieza o instalación inadecuados, mal uso, abuso, alteraciones, accidentes o causas de fuerza mayor.



Price Pfister
Une garantie limitée à vie
pour ce qui est de l'aspect mécanique et de la finition,
tant et aussi longtemps que vous serez propriétaire
de votre domicile.
(Garantie limitée en cas d'utilisation commerciale
- voir ci-dessous)

Veillez noter qu'une preuve d'achat peut être requise en cas de recours au titre de la garantie.

Garantie limitée : Tant et aussi longtemps que l'acheteur sera propriétaire du domicile dans lequel le produit Price Pfister a été installé, nous lui garantissons que ce dernier sera exempt de tout défaut de matériau ou vice de fabrication pouvant entraver l'utilisation correcte tel que prévu. Dans le cas des produits d'utilisation commerciale, la garantie exprimée ci-dessus est restreinte à une période de dix (10) ans.

Par ailleurs, tant et aussi longtemps que l'acheteur sera propriétaire du domicile dans lequel le produit Price Pfister a été installé, nous lui garantissons un article dont la finition ne pourra se détériorer. Dans le cas des produits d'utilisation commerciale qui ne comportent pas la finition "Pforever", la garantie est restreinte à une période de cinq (5) ans.

Recours exclusif : En cas de défaut du produit relevant de la garantie, le fabricant pourra, à sa discrétion, réparer ou remplacer la partie défectueuse. Cette mesure constitue un recours exclusif.

Pour tout recours au titre de la garantie, les clients doivent communiquer avec le fabricant pour lui faire part du problème. L'acheteur d'origine peut : (1) composer le 1 800 732-8238 pour parler à un représentant qui l'assistera; (2) écrire au service à la clientèle : Price Pfister Inc., 19701 DaVinci, Lake Forest, CA 92610 U.S.A., et fournir une explication du problème, en précisant le numéro de modèle, son nom, son adresse et son numéro de téléphone, ainsi que la date d'achat approximative; (3) communiquer par courrier électronique avec le service à la clientèle en utilisant le site www.PricePfister.com, ou (4) aviser le détaillant qui a vendu le produit. On peut être obligé de retourner le produit au fabricant, et une preuve d'achat peut être exigée.

Limitations et exclusions :
PRICE PFISTER NE SERA PAS RESPONSABLE DES AUTRES DOMMAGES OU PERTES, Y COMPRIS LES DOMMAGES INDIRECTS, INDEPENDAMMENT DE TOUTE THÉORIE JURIDIQUE, Y COMPRIS TOUTE RÉCLAMATION SELON LAQUELLE IL Y AURAIT EU RUPTURE DE GARANTIE, QUE CE SOIT PAR RAPPORT À UN CONTRAT OU PAR VOIE DE NÉGLIGENCE (cela comprend la négligence et la responsabilité stricte).

Price Pfister se réserve le droit de discontinuer ou de modifier un produit en tout temps. Certaines provinces ne permettent pas l'exclusion ou la limitation des dommages indirects, de sorte que la limitation exprimée peut ne pas s'appliquer. La présente garantie octroie aux clients certains droits d'ordre juridique, et ceux-ci pourraient en avoir d'autres, selon la province où ils habitent.

La garantie ne s'applique pas aux dommages résultant d'un entretien, d'un nettoyage ou d'une installation fautive effectués, ou encore d'usages fautifs, d'abus, de modifications, d'accidents ou de catastrophes naturelles.

Thank you for purchasing this Price Pfister product. All Price Pfister products are carefully engineered, and factory tested to provide long trouble-free use under normal conditions. This valve is easy to install using basic tools and our easy to follow illustrated instructions. If you have any questions regarding this product, call 1-800-Pfaucet (1-800-732-8238).

ENGLISH

1 BEFORE PROCEEDING:

WARNING: Read all the instructions completely before proceeding. Price Pfister recommends calling a professional if you are uncertain about installing this product!

This product should be installed in accordance with all local and state plumbing and building codes.

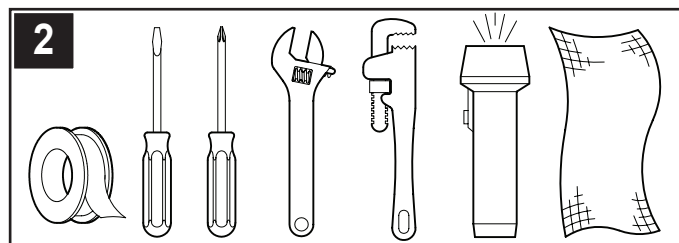
Use only 1/2" Iron or Copper Pipe between valve and tub spout (No PEX)!

WATER SHUT-OFF:

Locate water supply inlets and shut off water supply valves. These are usually found near water meter.

SURFACE PREPARATION:

For optimum performance of your new Price Pfister Single Control Pressure Balancing Valve, a minimum water pressure of 20 PSI is required. Have the basic tools ready for removal of old valve. If you are replacing an existing Valve, disconnect the old valve and clean the mounting surface thoroughly. Align and adjust water supply pipes to recommended dimensions. For new construction, install water supply pipes to recommended dimensions.

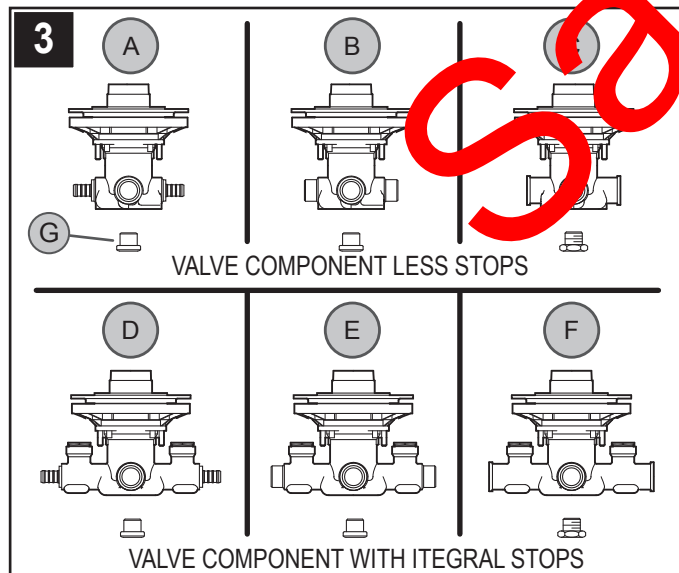


2 TOOLS RECOMMENDED:

For Iron Pipe Installation:

- PTFE Plumber's Tape or Thread Sealant
- Phillips Screwdriver
- Flashlight
- Slotted screwdriver
- Adjustable wrench
- Cloth
- Pipe Wrench

For soldered copper and non-standard installations, some additional tools may be required.



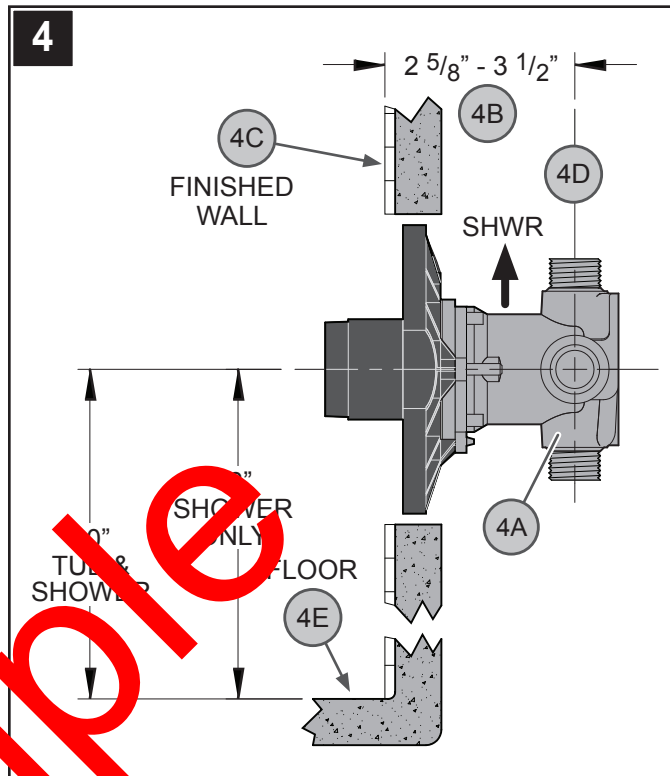
3 CHECKING THE CONTENTS OF THE BOX

These instructions cover six different model types. Upon opening the box, please check to ensure that all of the following items are included with your model type:

- A JX8-310P PEX Supply Valve Component Less Integral Stops
- B 0X8-310A Copper Supply Valve Component Less Integral Stops
- C JX8-310A Iron Pipe Supply Valve Component Less Integral Stops
- D JX8-340P PEX Supply Valve Component with Integral Stops
- E 0X8-340A Copper Supply Valve Component with Integral Stops
- F JX8-340A Iron Pipe Supply Valve Component with Integral Stops
- G Shower Only Pipe Plug

If any of these items are missing, please contact Price Pfister Consumer Services at 1-800-Pfaucet (1-800-732-8238).

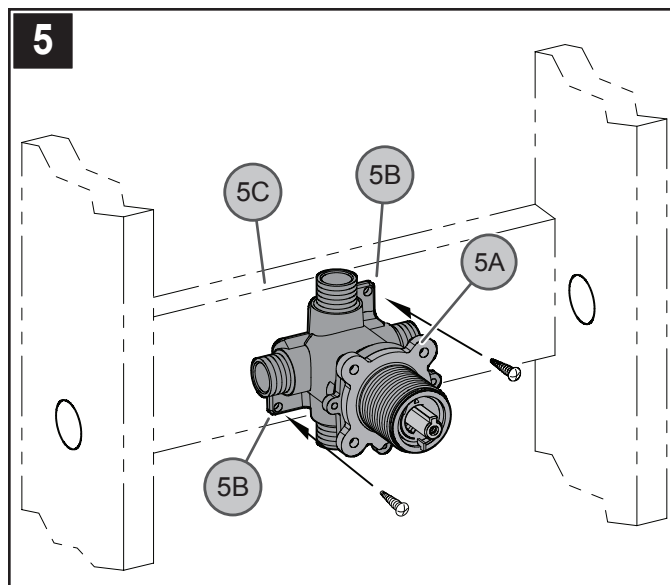
INSTALLATION



4 VALVE INSTALLATION

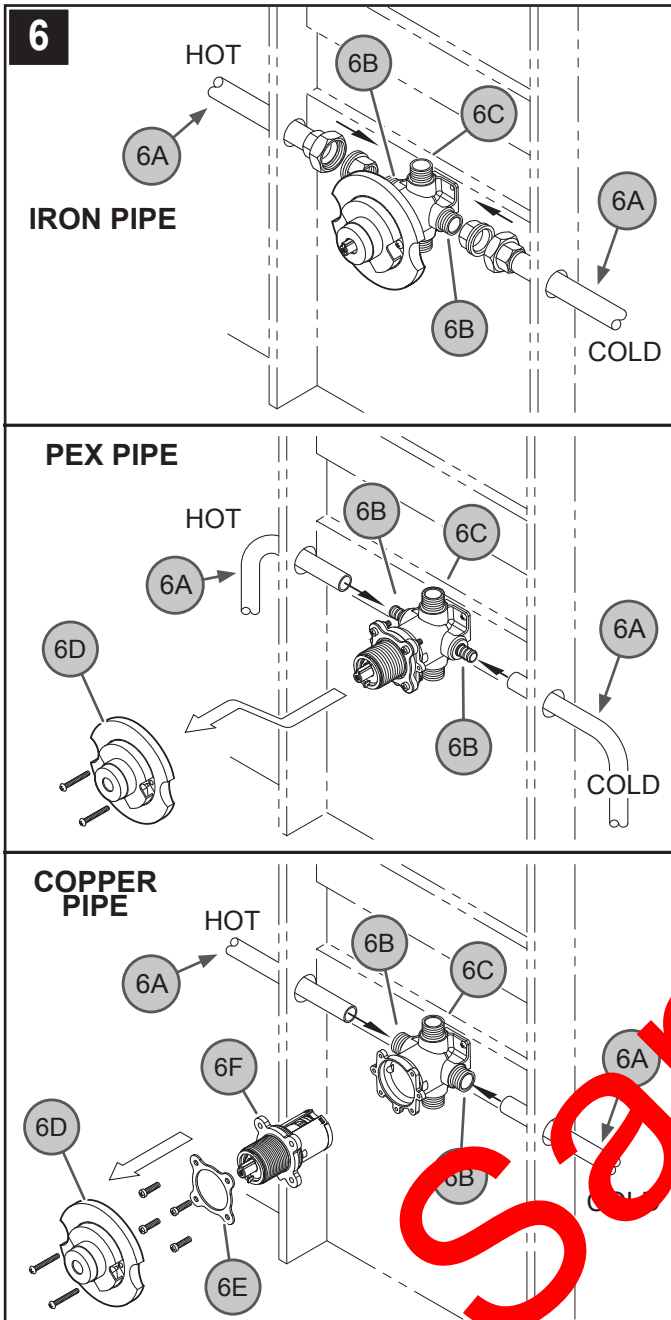
CAUTION: Be sure to position Valve Body (4A) correctly in wall, "SHWR" marking up.

Depth (4B) for valve body in wall is measured from center of shower outlet (4D) to finished wall surface (4C). Minimum distance (4B) is 2 5/8" and maximum is 3 1/2". Height is measured from bottom of floor (4E) to center of valve body (30" for Tub & Shower and 48" for Shower only).



5 SECURING VALVE BODY

3/16" Dia. Screw holes (5B) are provided to secure Valve Body (5A) to framing (5C) or other solid support. For special direct mount (Thin Wall Installation) go to step 18. For PEX installation, connect PEX lines prior to securing.



6 SUPPLY CONNECTIONS

Proper fittings for your valve body type are required. Connect water Supply Lines (6A) to Valve Body Inlets (6B). Hot water supply lines go into left inlet. Cold water supply lines go into right inlet. (Supply lines are not included). Please follow manufacturer's instructions when installing supply lines.

IRON PIPE: Valve Body Inlets (6B) and Outlets (6C) are designed to accommodate 1/2-14 NPT pipe. Use thread sealant or PTFE Plumber's tape on all threaded fittings, according to manufacturer's instructions.

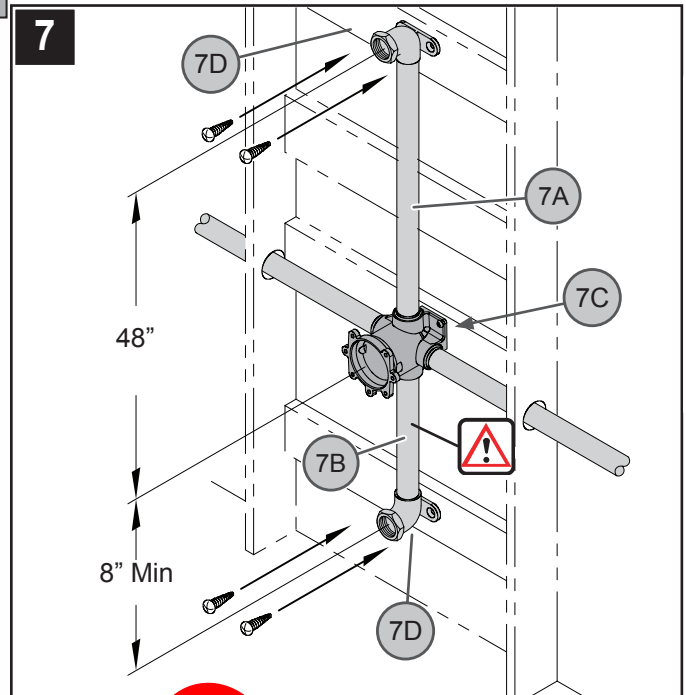
CAUTION: For iron pipes, it is not recommended to reduce outlet pipe diameter.

PEX PIPE: Valve Body inlets (6B) are designed to accommodate a 1/2" PEX pipe and outlets (6C) are designed to accommodate a 1/2" copper pipe. Remove Plaster Guard (6D).

NOTE: This Valve Body is not to be used with Polybutylene or the Wirsbo "Expansion" PEX system.

COPPER PIPE: Valve Body inlets (6B) and outlets (6C) are designed to accommodate a 1/2" copper pipe.

WARNING: Remove Plaster Guard (6D), Backup Plate (6E) and Cartridge Assembly (6F) prior to soldering any inlet or outlet connections. Failure to do so can result in water damage. For valves with integral stops, open valve stems prior to soldering (see step 12).

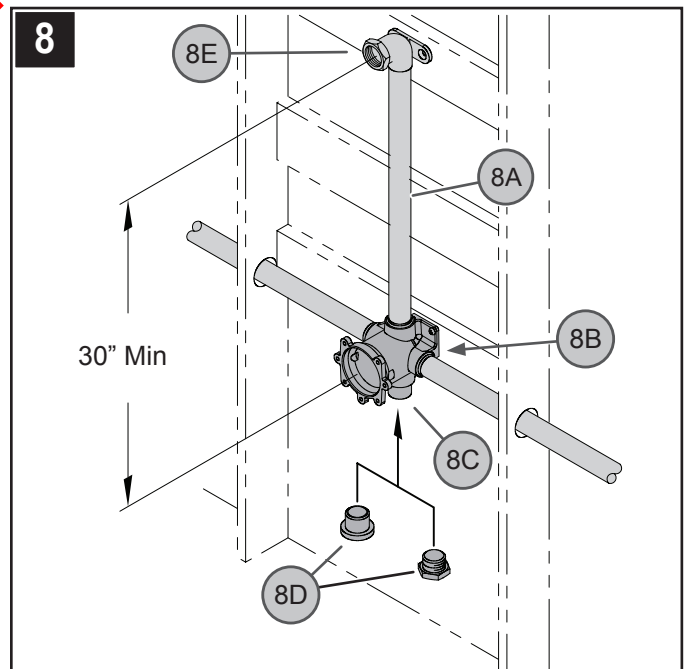


7 TUB & SHOWER OUTLET CONNECTIONS

Connect Shower Outlet Pipe (7A) and Tub Pipe (7B) to Valve Body (7C). Connect Pipe Elbow (7D) (not included) to ends of both pipes. We recommend using drop elbows (7D) (not included). Securely fasten to framing or other solid support. The height for outlet pipes is measured from the center of pipe elbow to center of the valve body, as shown.

WARNING: For Iron Pipe Connections or threaded fittings, use thread sealant or PTFE Plumber's tape according to manufacturer's instructions.

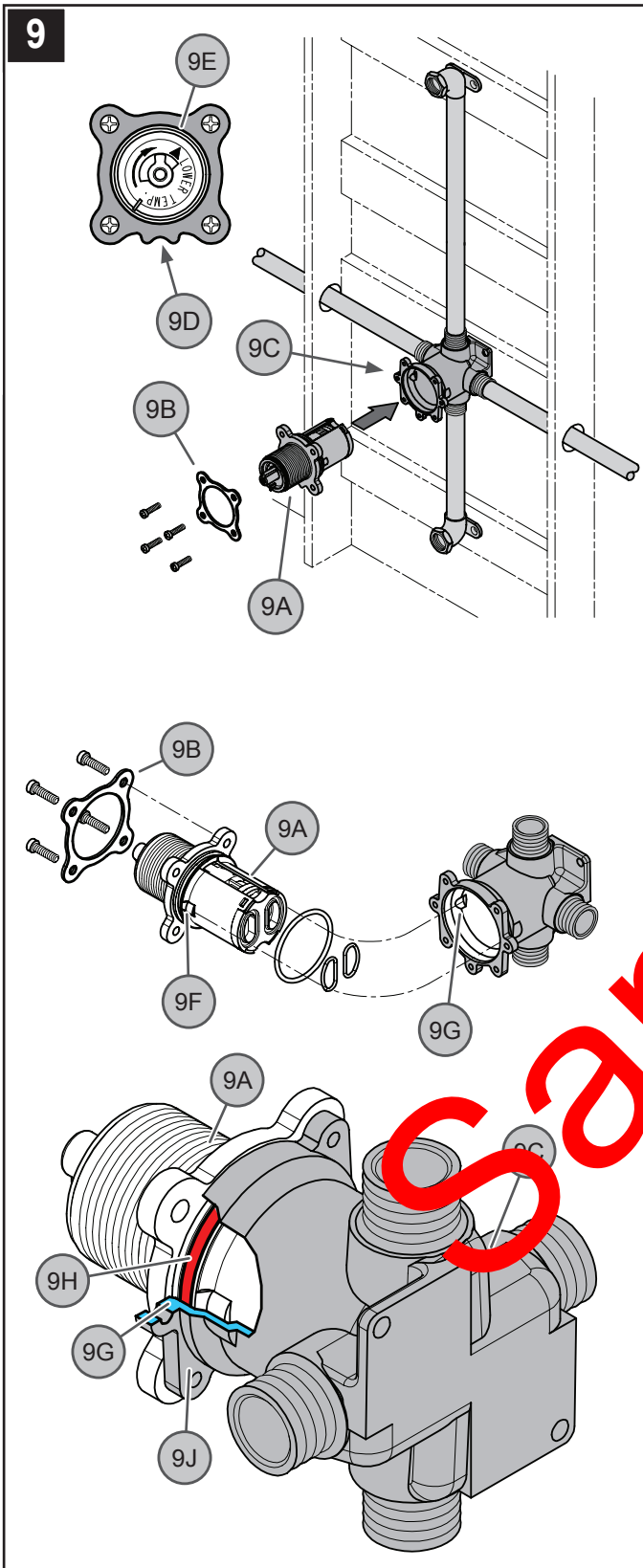
WARNING: Use only 1/2" Iron or Copper Pipe between valve and tub spout (No PEX)! Do not reduce the inner pipe diameter!



8 SHOWER ONLY OUTLET CONNECTIONS

Connect Shower Outlet Pipe (8A) to Valve Body (8B). Plug Bottom Outlet (8C) with Pipe Plug (8D). Connect Pipe Elbow (8E) (not included) to end of the pipe. For copper pipe outlets, we recommend using drop elbows (8E) (not included). Securely fasten to framing or other solid support. The height for the outlet pipe is measured from center of pipe elbow to center of valve body, as shown.

WARNING: For Iron Pipe Connections or threaded fittings, use thread sealant or PTFE Plumber's tape according to manufacturer's instructions.

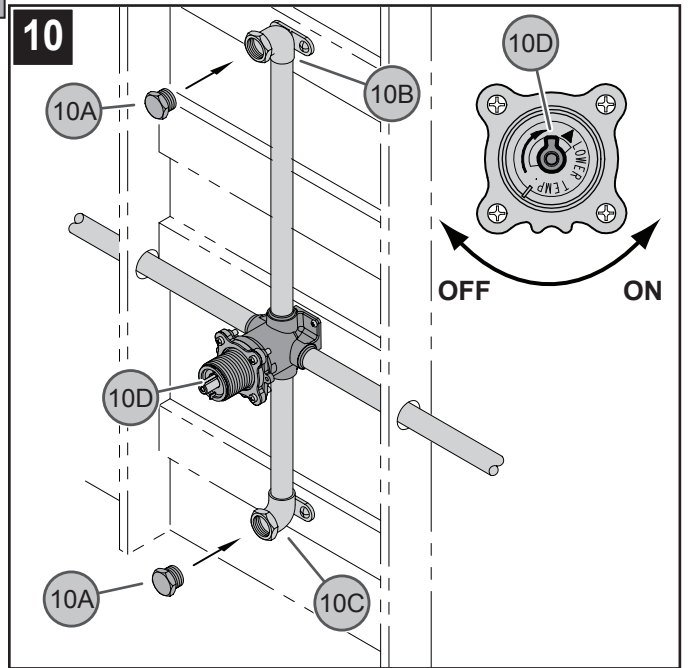


9 CARTRIDGE REASSEMBLY

Once all pipe joints are soldered, reassemble the Cartridge Assembly (9A) and Backup Plate (9B) into Valve Body (9C). Be sure that Notch (9D) from the Bonnet (9E) is pointing down (For back-to-back installation see step 20).

WARNING: When reassembling unit, be sure that Tabs (9F) from the Cartridge Assembly (9A) are set properly on the Valve Body grooves (9G).

WARNING: When reassembling the Cartridge Assembly (9A) and Backup Plate (9B), be certain that the placement of the O-ring (9H) is within the groove and not pinched between the backup flange (9G) and casting wall (9J). Failure to do so will result in water leaks and water damage.



10 PRESSURE TESTING VALVE

Use two 1/2" iron pipe plugs (10A) (not included) on both Shower Outlet (10B) and Tub Outlet (10C). Turn Stem (10D) counterclockwise to full on position and check all connections for leaks. Rotate Stem (10D) clockwise to turn off. Look for leaks from the outlets.

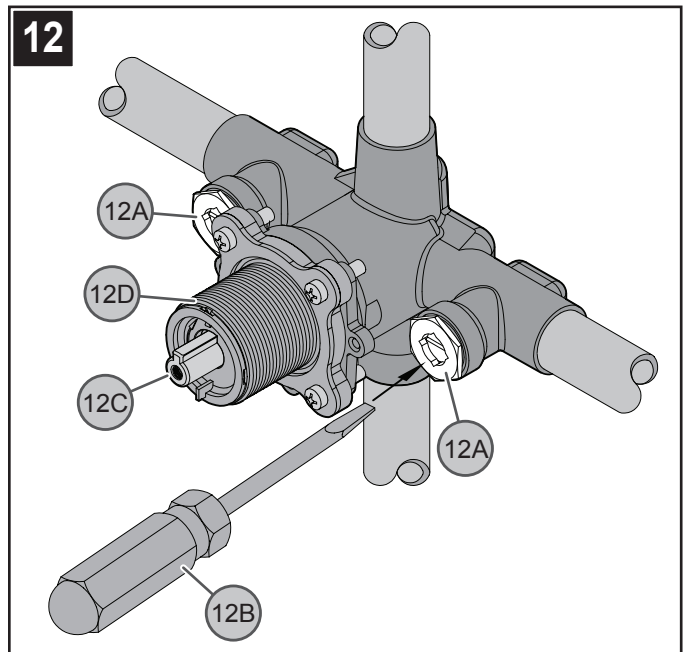
WARNING: Pressure testing is not to exceed 250 PSI. Make sure pressure is balanced between hot and cold inlets.

WARNING: Differential pressure of hot and cold inlets must not exceed 100 PSI.

CAUTION: Slowly remove pipe plugs (10A) from tub and shower outlets to relieve pressure.

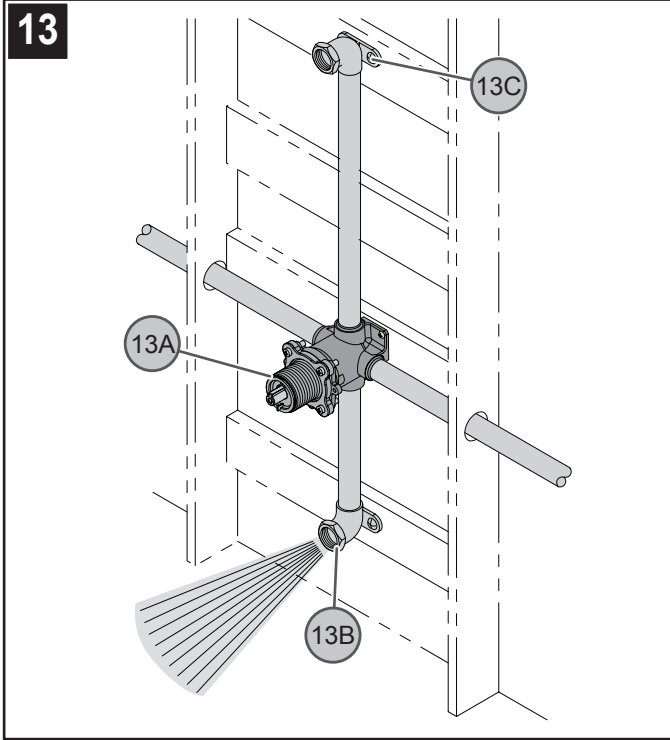
11 UNIT START UP

Turn on water supplies, and check all connections for leaks.



12 MODEL WITH INTEGRAL VALVE STOPS

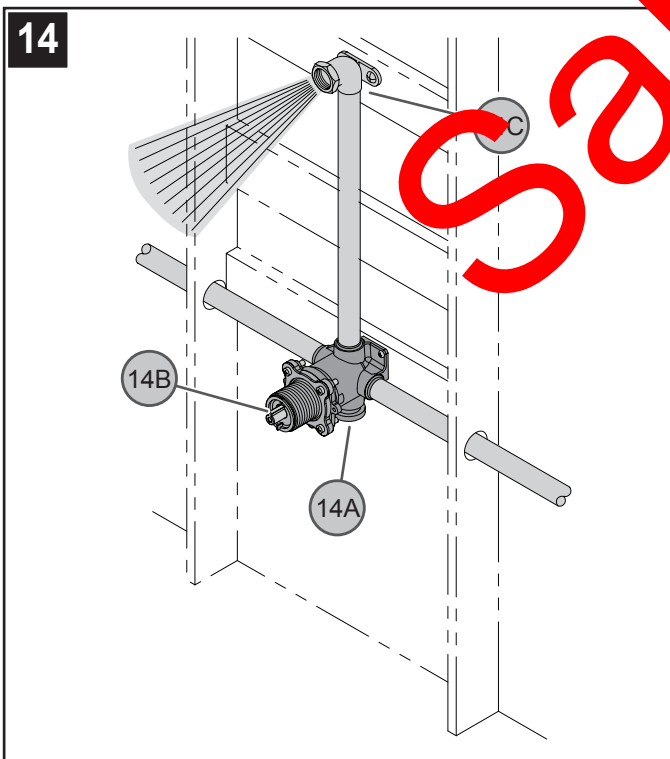
Integral Stops (12A) provide an alternate means to shut off the water supply. With a flat head screwdriver (12B), the entire water supply can be shut off by rotating the valve stem (12C) clockwise. The integral stops can be used for temporary shutting off the water supply to allow access to the cartridge assembly (12D) for maintenance.



13 FLUSHING

For Tub and Shower Combinations

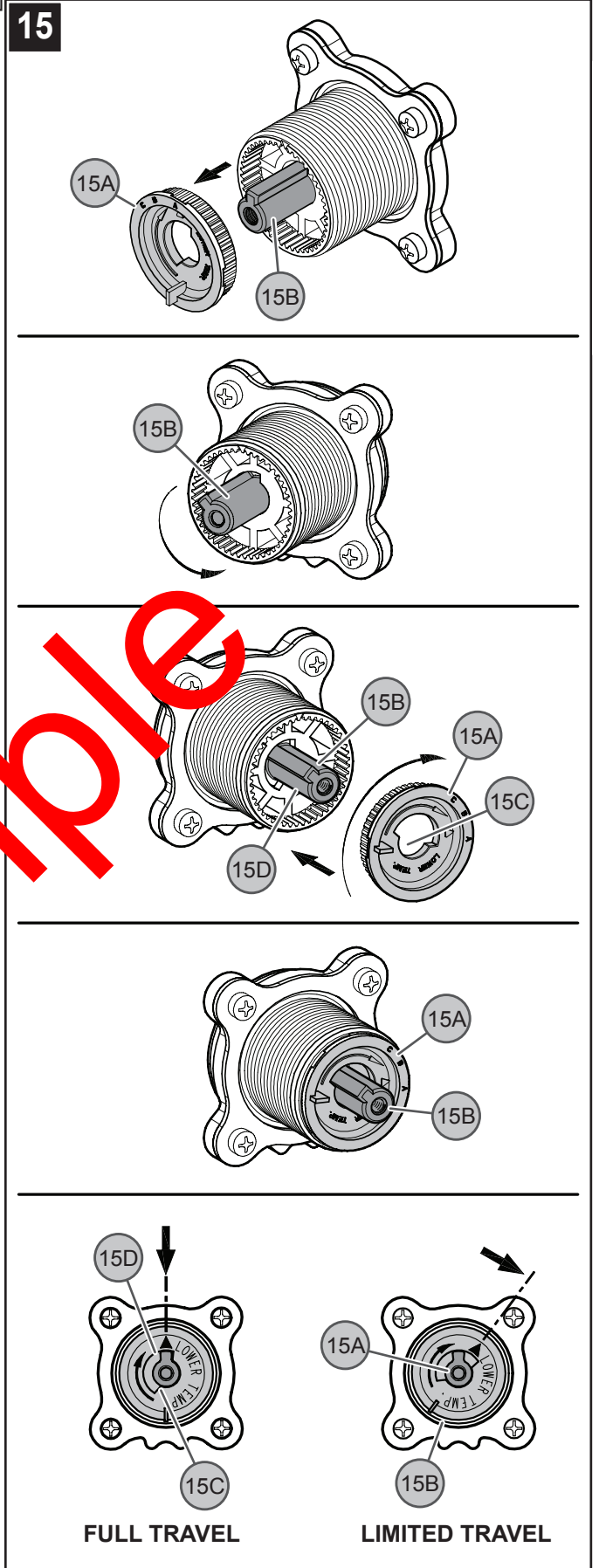
Turn on water supply lines by rotating Stem (13A) counterclockwise allowing water to flow from tub spout outlet (13B) until all foreign matter has cleared the line. Water should not be flowing from shower outlet (13C) during this test. If water is flowing from shower outlet, please check your valve to see that the casting mark "SHWR" is facing up (see step 4).



14 FLUSHING

For Shower Only Installation

Be sure to plug Bottom Outlet with Pipe Cap or Plug (14A) using Thread Sealant. Rotate stem (14B) counterclockwise, allowing water to flow from shower outlet (14C) until all foreign matter has cleared the line. If water flow becomes low or no flow at all, (refer to Step 4).

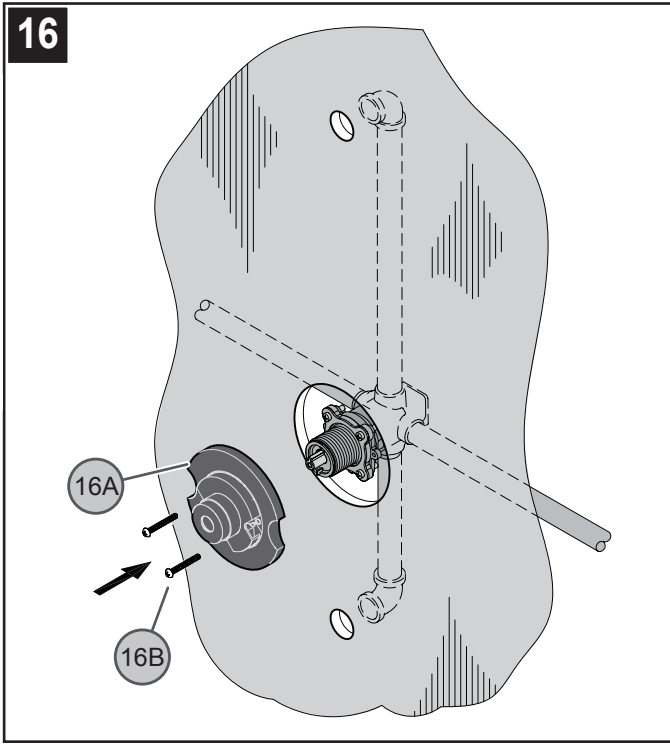


15 TEMPERATURE ADJUSTMENT

Adjustment Gear (15A) is factory-set to prevent stem from reaching full hot position. To adjust temperature: Remove Adjustment Gear (15A). Rotate Stem (15B) counterclockwise to determine a maximum desired temperature. Replace Gear (15A) aligning Adjustment Stop (15C) to stem Tab Surface (15D) so Stem (15B) cannot move beyond adjusted point.

NON STANDARD INSTALLATIONS

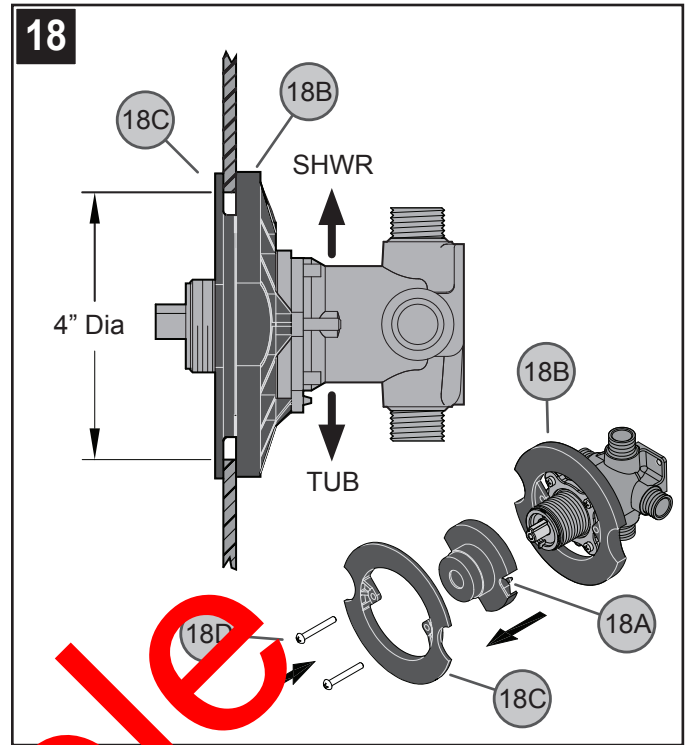
16



16 PLASTERGUARD REPLACEMENT

Replace plasterguard (16A) into Valve Body and secure with Screws (16B). Proceed to finish wall.

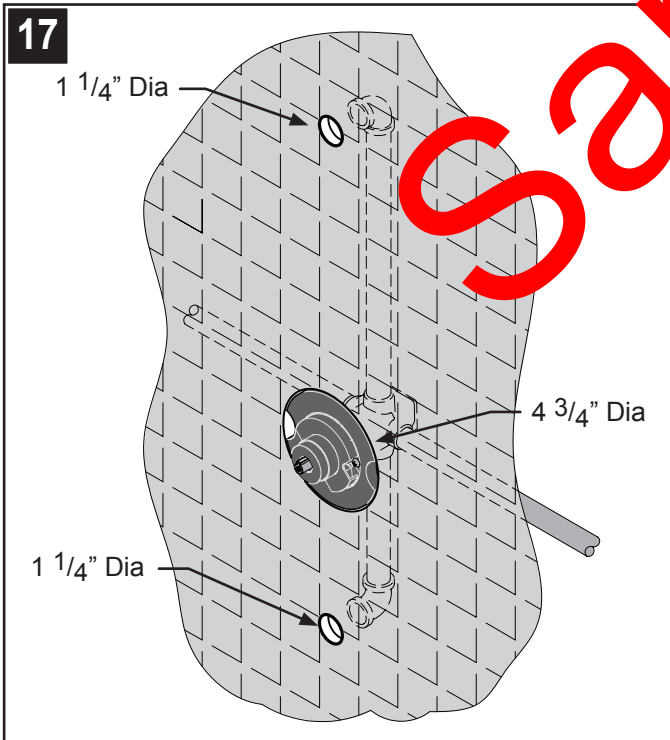
18



18 THIN WALL INSTALLATION

Remove Center Section (18A) of Plaster Guard (18B) and remove Screws (18D). For installation of thin walls, use Support Plate (18C) in addition to Plaster Guard (18B). For installation to other wall types, do not use Support Plate (18C). Use of Plaster Guard (18B) is optional. For center hole on a thin wall use 4" diameter.

17



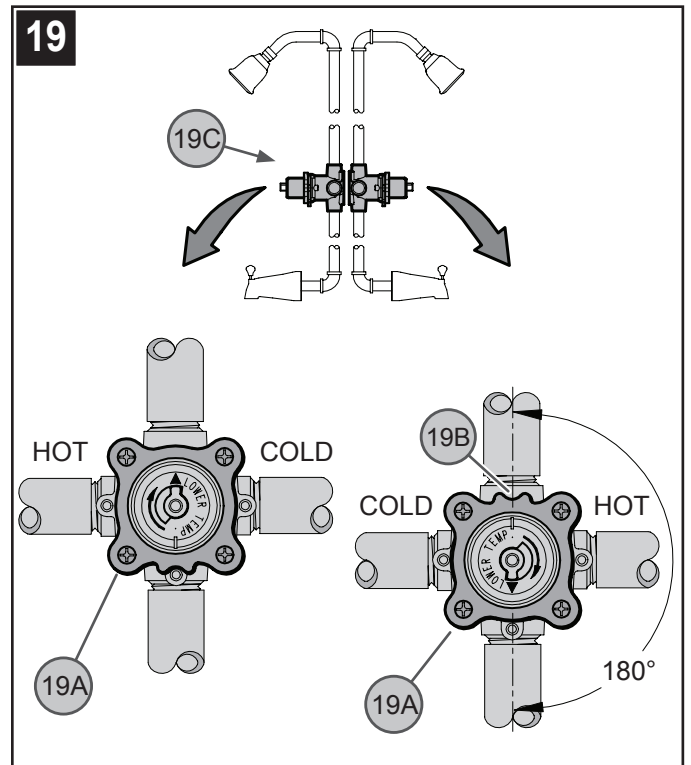
17 FINISH WALL PREPARATION

Make appropriate holes to finished wall. Price Pfister recommends that all Tub Spout and Shower Outlet holes be 1 1/4" diameter. For center hole on plaster wall use 4 3/4" diameter.



CAUTION: Make sure that leak tests and flushing are performed before preparing the finished wall.

19

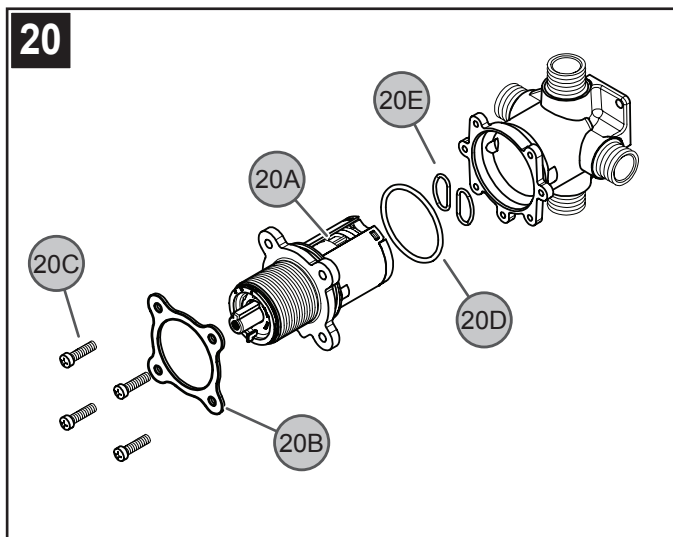


19 REVERSED INLET LINES

If hot and cold inlets are reversed (back-to-back installation), (19C) unscrew the plasterguard and bonnet assembly. Rotate the Bonnet Assembly (19A) 180° with Notch (19B) facing up and reassemble.

TROUBLE SHOOTING & MAINTENANCE

20

**20 CLEANING CARTRIDGE**

If Temperature or Flow does not remain constant, the Cartridge Assembly (20A) must be cleaned. Shut-off water supply. Remove trim assembly (not shown). Remove Screws (20C), Backup Plate (20B) and Cartridge Assembly (20A). Inspect inlets for sediment and flush with water. Inspect O-rings (20D & 20E) for damage. Re-install Cartridge Assembly (20A), and Backup Plate (20B) then turn on water supply. If problem persists replace Cartridge Assembly (20A).



CAUTION: Do not disassemble Cartridge (20A).



CAUTION: When reinstalling Cartridge Assembly (20A), go to step 9 for more details.

21 TROUBLE SHOOTING TIPS

Dripping from either the tub spout or shower head when water is turned off.

Clean Cartridge Assembly. Check to ensure the two oval rings on the back of the cartridge are in place. Reassemble Cartridge Assembly, (see step 20). Turn on the water and test. If the unit still leaks, replace Cartridge Assembly.



Make sure that both hot and cold water inlets are turned on.



Water flow is very low.

Check Cartridge Assembly, figure 20, for debris. Sediment where water enters shower head can also cause this symptom.



Water starts out hot and becomes cooler as handle is rotated counter-clockwise.

This is a potentially hazardous situation and should be corrected before using the unit. Check the hot and cold inlet positions. If you have a back-to-back installation, (where hot and cold inlets are reversed) refer to step 19 of this installation guide.



Water flows from the shower head while filling the tub.

Check position of the valve body. The letters "SHWR" should be cast into the top and "TUB" on the bottom as indicated in figure 4. Also, check for any restriction in the tub outlet line.



Water doesn't get hot enough.

Refer to figure 15 for adjusting temperature range.



Water flows from the tub spout while using shower.

The seal inside of the diverter mechanism may have become dislodged. Tub spout may need replacement.



CAUTION: Maintenance

1. Replacement parts may be available at the store where you purchased your faucet.
2. When replacement parts are not available, please write or call Price Pfister Consumer Service.
3. **Always turn off water and relieve pressure before working on your faucet.**



1-800-PFAUCET (1-800-732-8238)

For Toll-Free Pfister information call
1-800-PFAUCET (1-800-732-8238)
or visit www.pricepfister.com

- Installation Support
- Care and Warranty Information

Gracias por haber comprado este producto Price Pfister. Todos los productos Price Pfister están diseñados cuidadosamente y son sometidos a pruebas en la fábrica para ser utilizados sin problemas bajo condiciones normales. Esta válvula es fácil de instalar con herramientas básicas y nuestras instrucciones ilustradas fáciles de seguir. Si tiene alguna pregunta sobre este producto, llame al 1-800 Pfauet (1-800-732-8238).

1 ANTES DE PROCEDER:

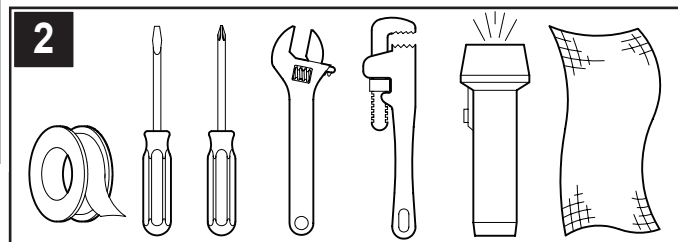
ADVERTENCIA: Lea todas las instrucciones antes de proseguir. ¡Price Pfister recomienda llamar a un profesional si tiene dudas sobre la instalación de este producto!
Este producto debe instalarse de acuerdo con todos los códigos locales y estatales de plomería y construcción.

CIERRE DEL AGUA:

Localice las tuberías de entrada de agua y cierre las válvulas de suministro. Generalmente se encuentran cerca del medidor de agua.

PREPARACIÓN DE LA SUPERFICIE:

Se requiere una presión mínima de agua de 20 PSI (137.8 kPa) para obtener un rendimiento óptimo de su nueva válvula monomando de equilibrio de presión Price Pfister. Tenga las herramientas básicas listas para quitar la válvula antigua. Si está reemplazando una válvula existente, desconecte la válvula vieja y limpie bien la superficie de montaje. Alinee y ajuste las cañerías de suministro de agua a las dimensiones recomendadas. En el caso de una instalación nueva, instale las cañerías de suministro de agua a las dimensiones recomendadas.

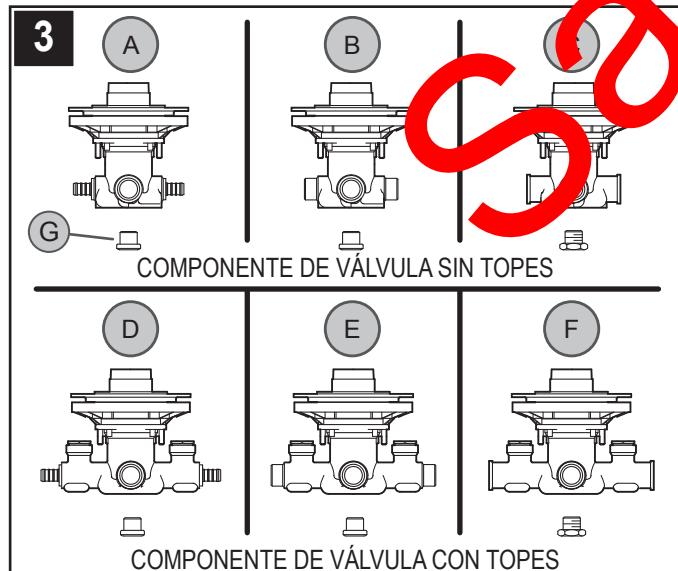


2 HERRAMIENTAS RECOMENDADAS:

Para la instalación en cañerías de hierro:

- Cinta para plomería PTFE o sello para roscas
- Destornillador ranurado
- Destornillador en cruz
- Llave para para tuberías
- Linterna de mano
- Llave ajustable
- Paño

Para cobre soldado e instalaciones no estándar, podrían necesitarse otras herramientas.



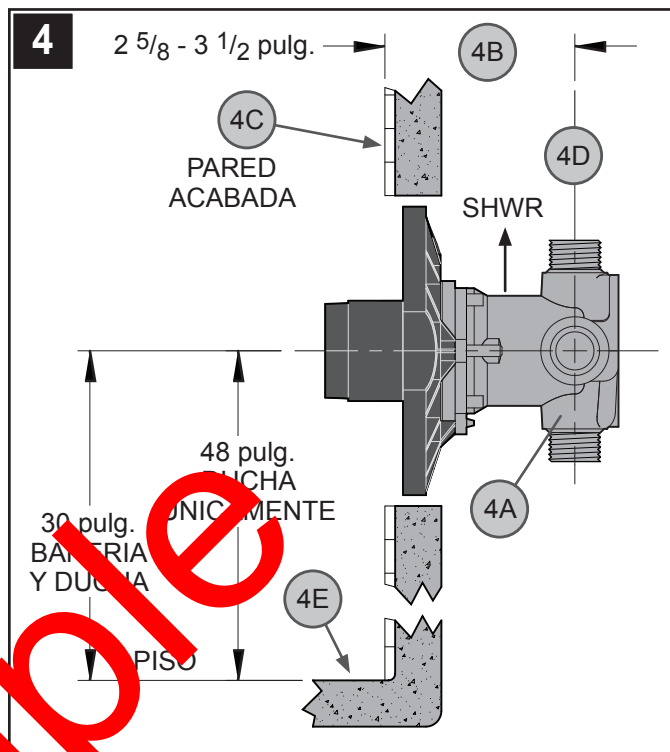
3 VERIFICACIÓN DEL CONTENIDO DE LA CAJA

Estas instrucciones explican la instalación de cuatro diferente tipos de modelos. Después de abrir la caja, verifique que se incluyan todos los artículos siguientes con su grifo:

- A JX8-310P** Componente de válvula sin topes para tubería de PEX
- B 0X8-310A** Componente de válvula sin topes para tubería de cobre
- C JX8-310A** Componente de válvula sin topes para tubería de hierro
- D JX8-340P** Componente de válvula con topes para tubería de PEX
- E 0X8-340A** Componente de válvula con topes para tubería de cobre
- F JX8-340A** Componente de válvula con topes para tubería de hierro
- G** Tapa para ducha únicamente

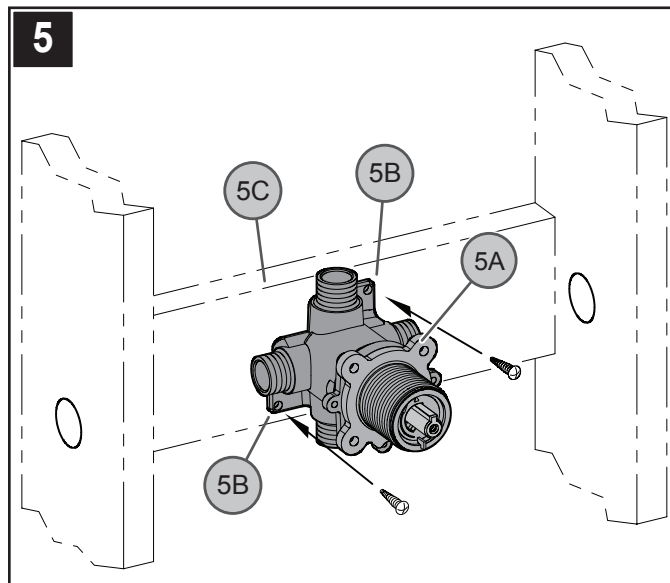
Si falta alguno de estos artículos, comuníquese con el departamento de Servicios al Consumidor de Price Pfister al 1-800-Pfauet (1-800-732-8238).

INSTALACIÓN



4 INSTALACIÓN DE LA VÁLVULA

PRECAUCIÓN: Asegúrese de colocar el cuerpo de la válvula (4A) en forma correcta en la pared, con la marca "SHWR" hacia arriba. La profundidad (4B) para el cuerpo de la válvula en la pared se mide desde el centro de la salida de la ducha (4D) hasta la superficie de la pared acabada (4C). La distancia mínima (4B) es de 2-5/8 pulg. (66.68 mm) y la distancia máxima es de 3-1/2 pulg. (89 mm). La altura se mide desde el extremo inferior del piso (4E) hasta el centro del cuerpo de la válvula (30 pulg. para [76.2 cm] bañera y ducha, y 48 pulg. [122 cm] para ducha únicamente).

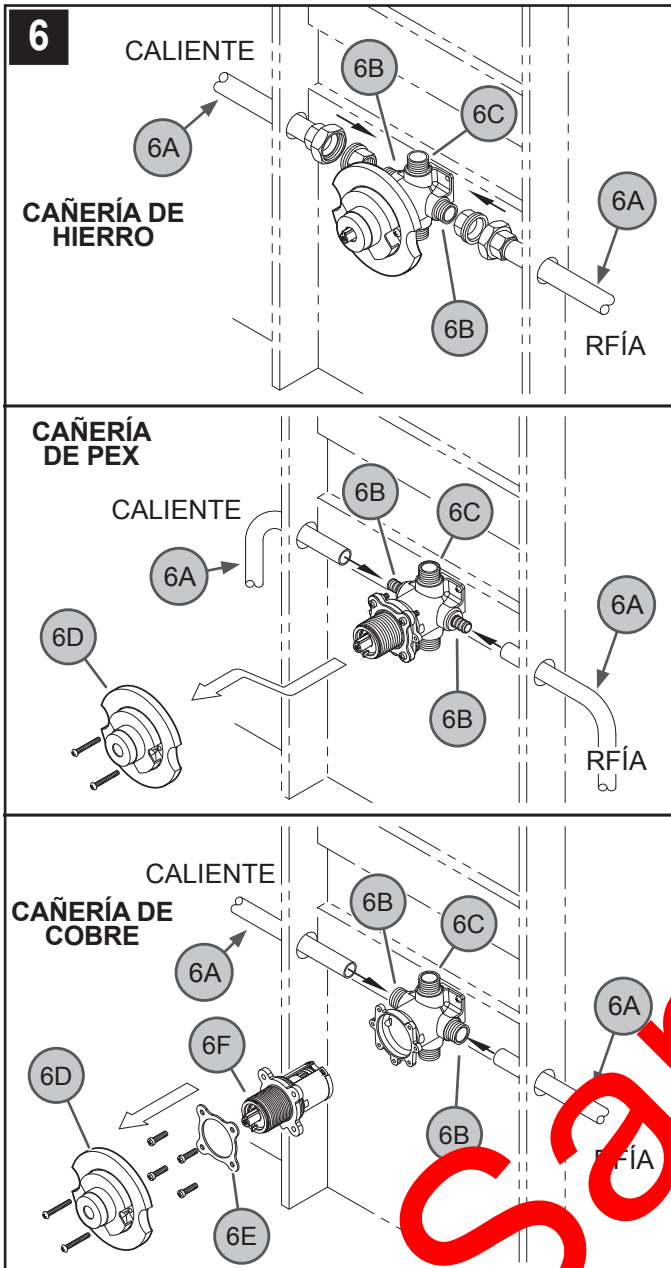


5 SUJECIÓN DEL CUERPO DE LA VÁLVULA

Se proporcionan agujeros para tornillos de 3/16 pulg. (4.7mm) de diám. (5B) para sujetar el cuerpo de la válvula (5A) al entramado (5C) u otro soporte sólido. Para un montaje directo especial (instalación en pared delgada), continúe con el paso 18. Para la instalación de PEX, conecte las líneas de PEX antes de la sujeción.

ESPAÑOL

Sample



6 CONEXIONES DE SUMINISTRO DE AGUA

Se requiere accesorios apropiados para su tipo de cuerpo de válvula. Conecte las líneas del suministro de agua (6A) a las entradas de la válvula (6B). Las líneas de suministro de agua caliente se instalan en la entrada izquierda y de agua fría en la entrada derecha. (Las líneas de suministro no son incluidas.) Siga por favor las instrucciones del fabricante al instalar las líneas de fuente.

CAÑERÍA DE HIERRO: Las entradas (6B) y salidas (6C) del cuerpo de la válvula están diseñadas para cañería de 1/2-14 NPT. Utilice sellador para roscas o cinta para plomero de PTFE, en todas Las roscas de acuerdo con las instrucciones del fabricante.

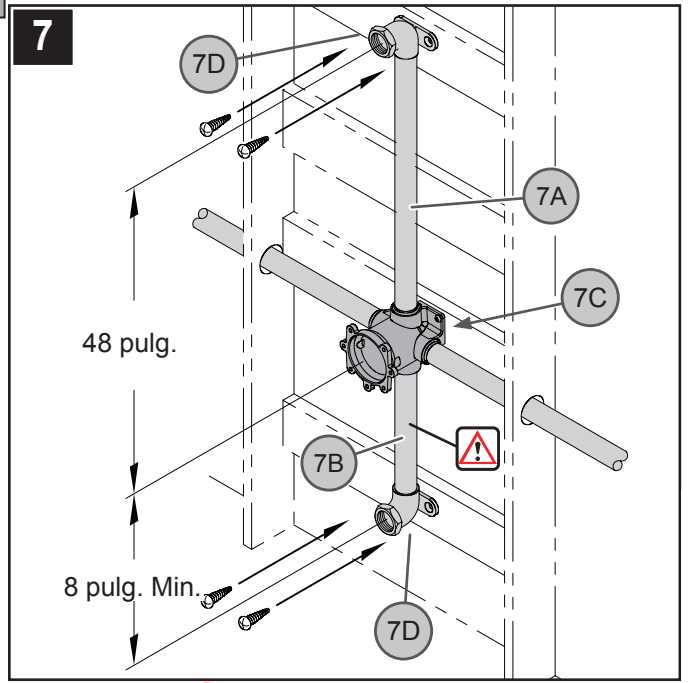
PRECAUCIÓN: Si está usando cañerías de hierro, no se recomienda reducir el diámetro de la cañería de salida.

CAÑERÍA DE PEX: Las entradas (6B) del el cuerpo de la válvula están diseñadas para recibir cañería de PEX de 1/2 pulg. y Las salidas (6C) están diseñadas para cañería de cobre de 1/2 pulg. Retire la cubierta protectora para yeso (6D).

NOTA: Este cuerpo de válvula no debe ser utilizado con polibutileno o el sistema de PEX de la "extensión" de Wirsbo.

CAÑERÍA DE COBRE: Las entradas (6B) y salidas (6C) del cuerpo de la válvula están diseñadas para cañería de cobre de 1/2 pulg.

ADVERTENCIA: Retire la cubierta protectora para yeso (6D), la placa de respaldo (6E) y el conjunto del cartucho (6F) antes de soldar cualquiera de las conexiones de entrada o salida. De lo contrario, podrían producirse daños debido a fugas de agua. Para válvulas con topes integrales, abra el vástago de la válvula antes de soldar; (consulte el paso 12).

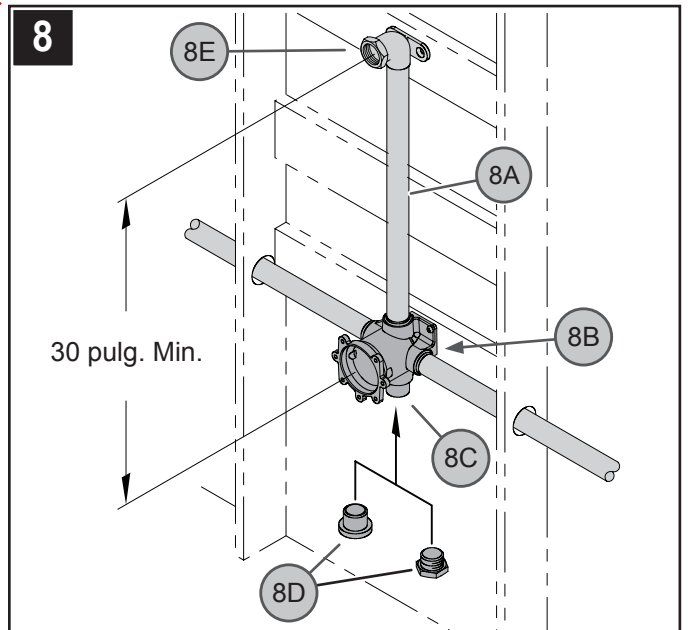


7 CONEXIONES DE SALIDA DE LA BAÑERA Y LA DUCHA

Conecte las cañerías de salida de la ducha (7A) y la bañera (7B) al cuerpo de la válvula (7C). Conecte codos para tubos (7D) (no incluidos) a los extremos de ambas cañerías. Recomendamos utilizar codos de orejas (7D) (no incluidos). Sujételos firmemente al entramado u otro soporte sólido. La altura de las cañerías de salida se mide desde el extremo del codo al centro del cuerpo de la válvula, tal como se muestra.

ADVERTENCIA: Conexiones para cañerías de hierro o conectores roscados, utilice sellador para roscas o cinta para plomero de PTFE, de acuerdo con las instrucciones del fabricante.

ADVERTENCIA: ¡Utilice solamente pipas de cobre o hierro de 1/2 pulg. entre la válvula y del surtidor de la bañera. (no utilice pipas PEX)! ¡No reduzca el diámetro interno de la pipa!

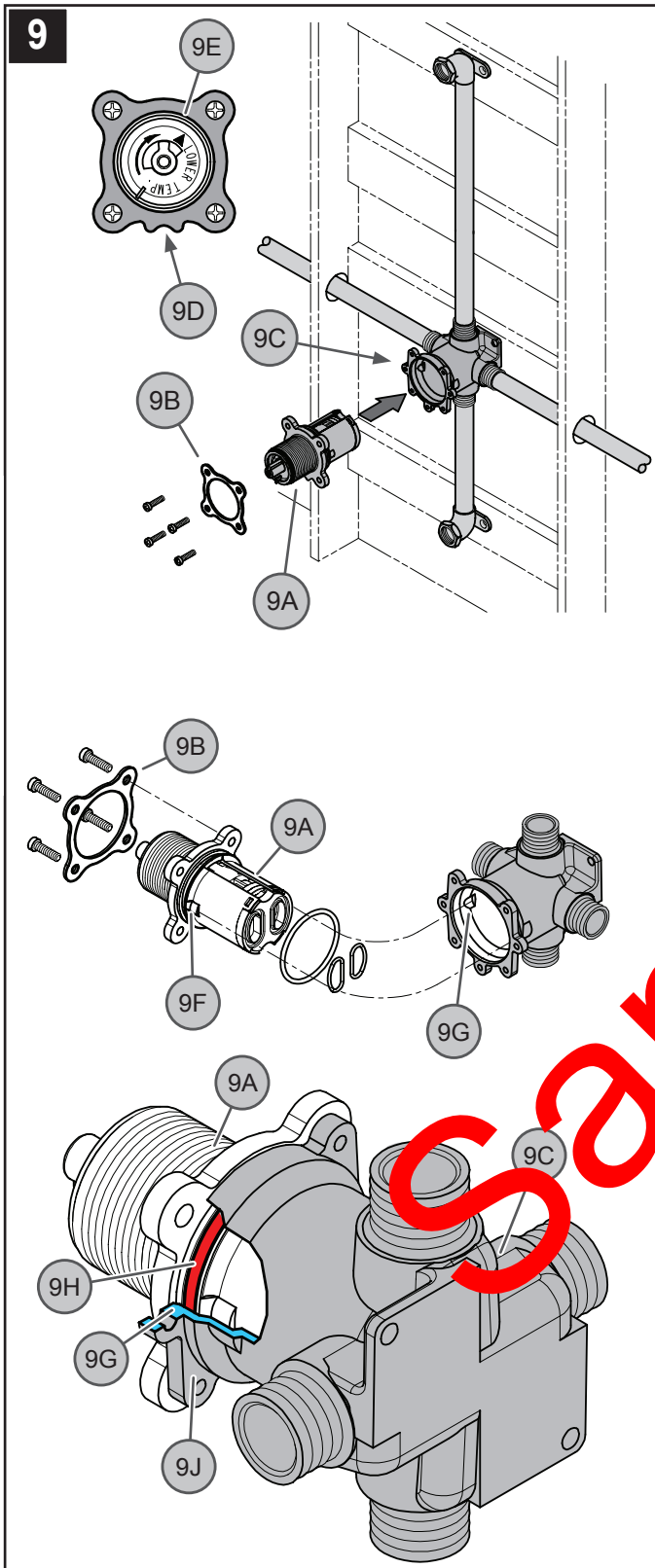


8 CONEXIONES DE SALIDA PARA DUCHA ÚNICAMENTE

Conecte la cañería de salida de la ducha (8A) al cuerpo de la válvula (8B). Tape la salida del extremo inferior (8C) con la tapa para cañería (8D). Conecte el codo para tubo (8E) (no incluido) al extremo de la cañería. Para salidas de cañería de cobre, recomendamos utilizar codos de orejas (8E) (no incluidos). Sujételos firmemente al entramado u otro soporte sólido. La altura de la cañería de salida se mide desde el centro del codo al centro del cuerpo de la válvula, tal como se muestra.

ADVERTENCIA: Conexiones para cañerías de hierro o conectores roscados, utilice sellador para roscas o cinta para plomero de PTFE, de acuerdo con las instrucciones del fabricante.

Sample

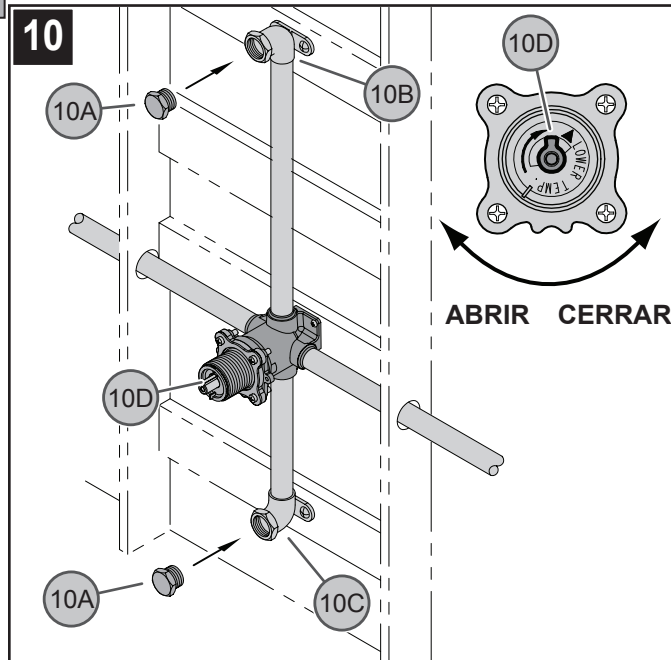


9 REARMADO DEL CARTUCHO

Una vez que haya soldado todas las juntas de cañerías, rearme el conjunto del cartucho (9A) y la placa de respaldo (9B) en el cuerpo de la válvula (9C). Asegúrese de que la muesca (9D) de la unidad de vástago (9E) quede apuntando hacia abajo (para la instalación espalda con espalda, consulte el paso 19).

⚠ ADVERTENCIA: Cuando rearme la unidad, verifique que las lengüetas (9F) del conjunto del cartucho (9A) estén colocadas correctamente sobre las ranuras del cuerpo de la válvula (9G).

⚠ ADVERTENCIA: Cuando rearme el conjunto del cartucho (9A) y la placa de respaldo (9B), asegúrese de que el anillo en O (9H) esté dentro de la ranura y que no esté comprimido entre la brida de respaldo (9G) y la pared de la pieza fundida (9J). De lo contrario, se producirán daños debido a fugas de agua.



10 PRUEBA DE PRESIÓN DE LA VÁLVULA

Utilice dos tapones de cañería de hierro de 1/2 pulg. (10A) (no incluidos) en la salida de la ducha (10B) y en la salida de la bañera (10C). Gire el vástago (10D) en sentido horario a la posición completamente abierta y revise todas las conexiones para ver si hay fugas. Gire el vástago (10D) en sentido horario para cerrarlo. Fijese a ver si hay fugas en las salidas.

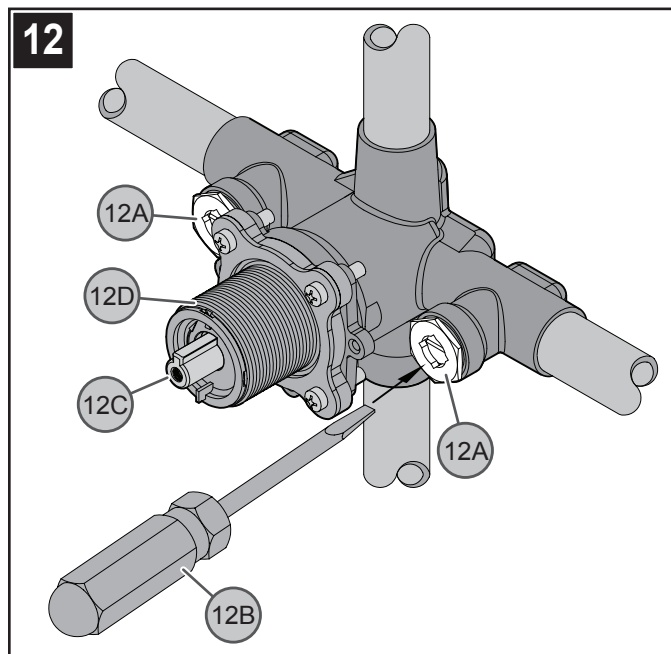
⚠ ADVERTENCIA: La prueba de presión no debe exceder 250 PSI (1723 kPa). Asegúrese de que la presión entre las entradas caliente y fría esté equilibrada.

⚠ ADVERTENCIA: La presión diferencial de las entradas caliente y fría no debe exceder 100 PSI (698.4 kPa).

⚠ PRECAUCIÓN: Retire lentamente los tapones para tubo (10A) de las salidas de la bañera y de la ducha para aliviar la presión.

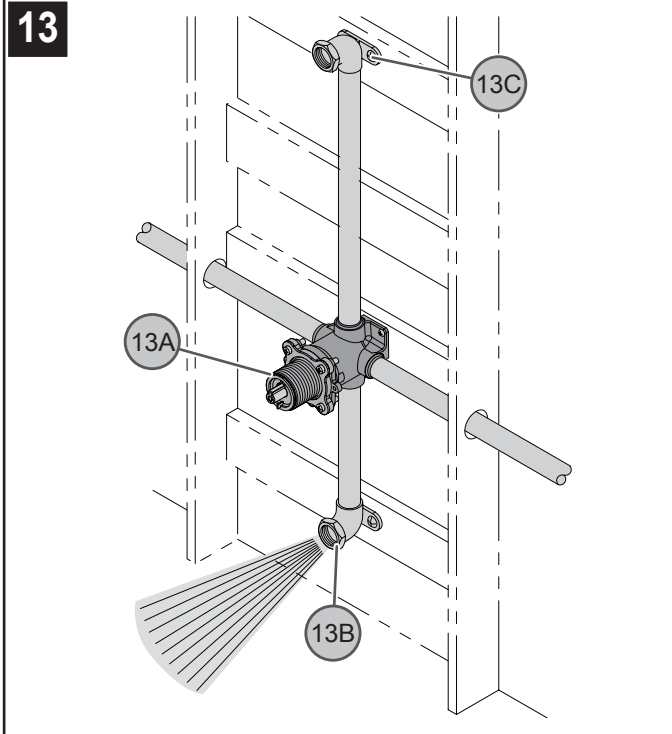
11 ACTIVACIÓN DE LA UNIDAD

Active el suministro de agua, verifique que no hay fugas.



12 MODELO DE VÁLVULA CON TOPES INTEGRALES

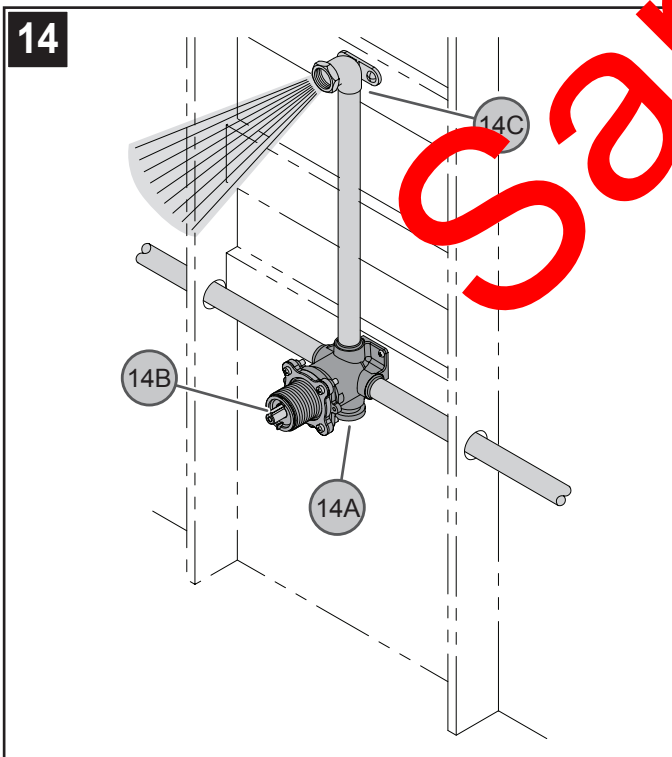
El tope integral (12A) es una alternativa para cerrar el suministro de agua. Con un destornillador de cabeza plana (12B) se puede cerrar el agua por completo rotando el vástago de la válvula (12C) en sentido horario. El tope integral puede usarse para cerrar el agua en forma provisoria para ganar acceso al conjunto del cartucho (12D) para realizar actividades de mantenimiento.



13 ENJUAGUE

Para combinaciones de bañera y ducha

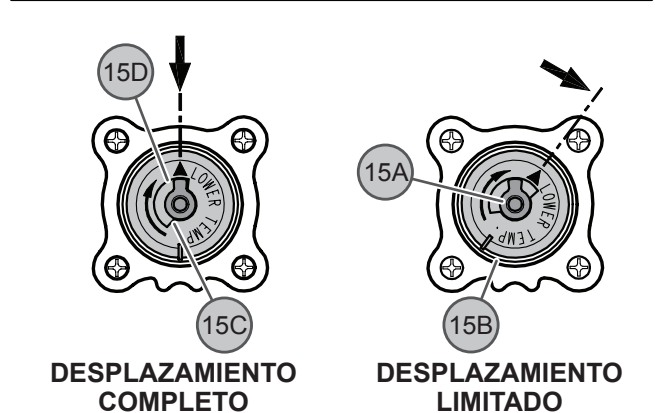
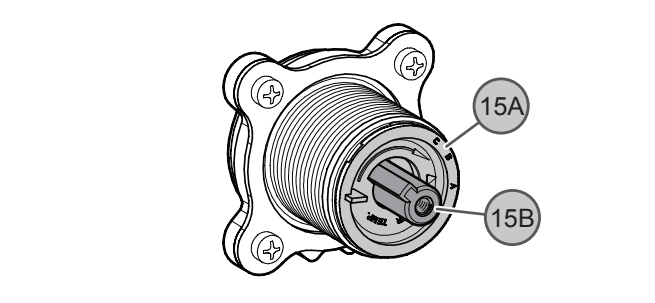
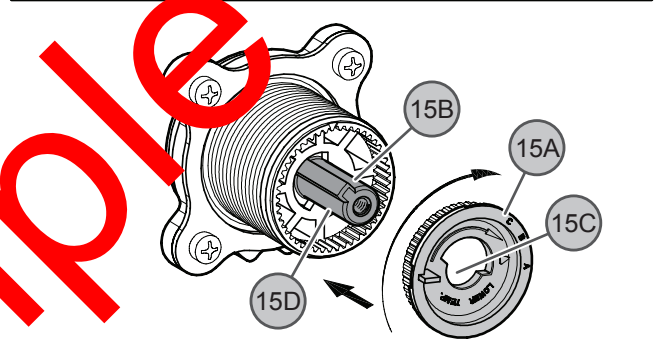
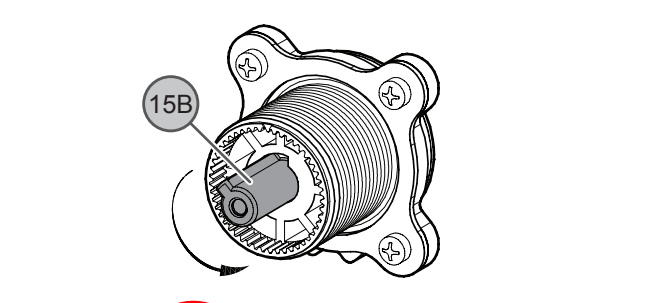
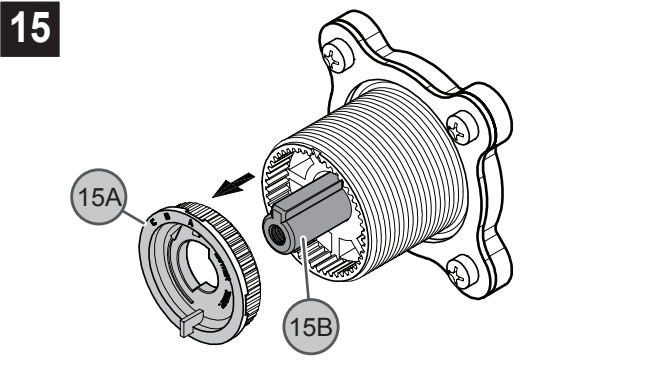
Gire el vástago (13A) en sentido contrahorario, permitiendo que fluya agua desde la salida del surtidor de la bañera (13B) hasta haber eliminado todas las materias extrañas de la línea. No debe fluir agua desde la salida de la ducha (13C) durante esta prueba. Si está fluyendo agua desde la salida de la ducha, revise la válvula para verificar que la marca "SHWR" en la pieza fundida esté apuntando hacia arriba (ver el paso 4).



14 ENJUAGUE

Para la instalación de la ducha únicamente

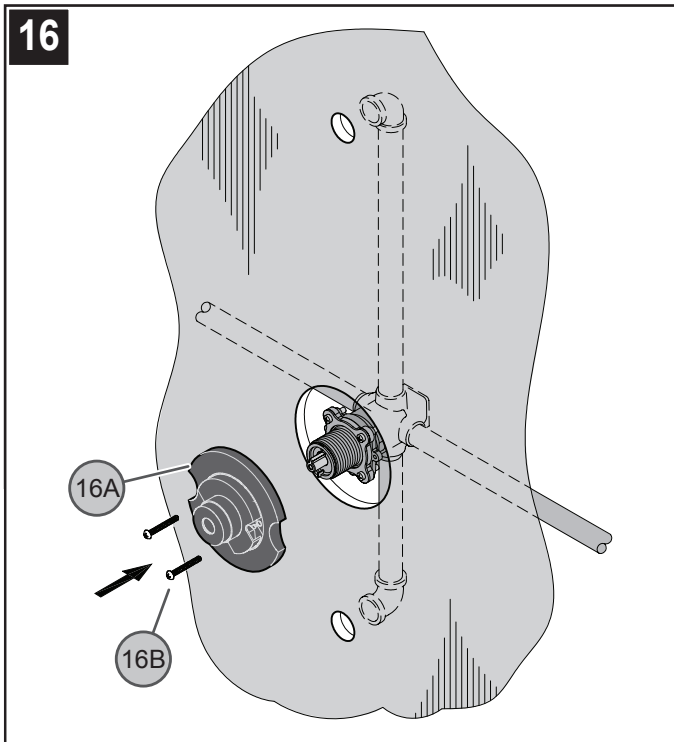
Asegúrese de tapar la salida inferior con una tapa o tapón de cañería (14A) usando sellador de roscas. Gire el vástago (14B) en sentido contrahorario, permitiendo que fluya agua desde la salida de la ducha (14C) hasta haber eliminado todas las materias extrañas de la línea. Si hay poco o nada de flujo de agua, (consulte el Paso 20).



15 AJUSTE DE TEMPERATURA

El mecanismo de ajuste (15A) se fija en la fábrica para impedir que el vástago llegue a la posición caliente máxima. Para ajustar la rotación del vástago: Retire el mecanismo de ajuste (15A). Gire el vástago (15B) en sentido contrahorario para determinar la temperatura máxima deseada. Reinstale el mecanismo (15A) alineando el tope de ajuste (15C) con la superficie de la lengüeta del vástago (15D) de manera que el vástago (15B) no pueda moverse más allá del punto ajustado.

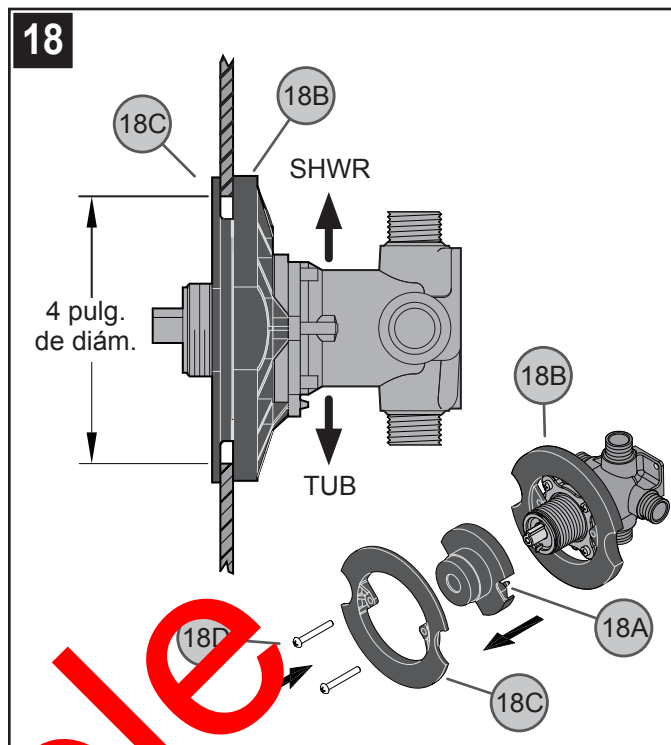
16



16 REINSTALACION DE LA CUBIERTA PROTECTORA

Reinstale la cubierta protectora para yeso (16A) en el cuerpo de la válvula y asegúrelo con tornillos (16B). Continúe con la pared terminada.

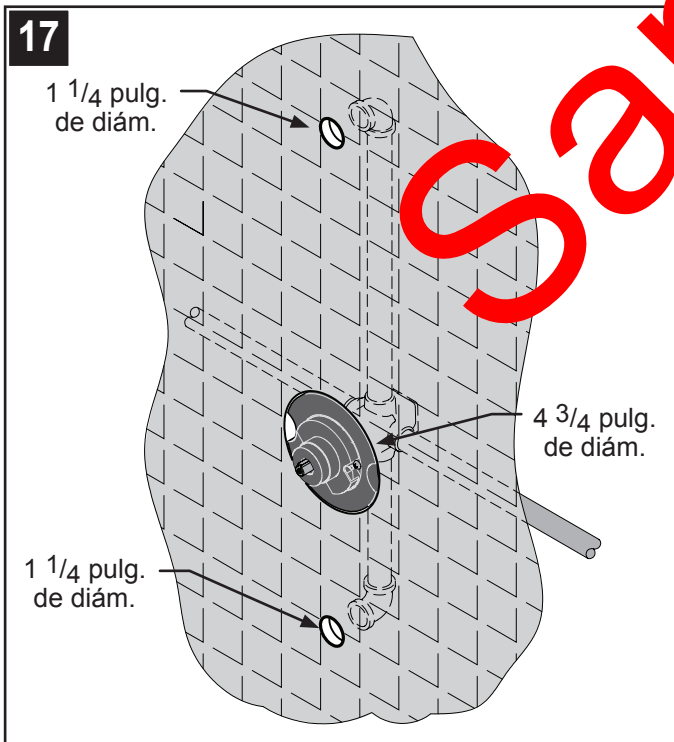
18



18 INSTALACION EN PARED DELGADA

Monte la sección central (18A) de la cubierta protectora para yeso (18B) y retire los tornillos (18D). Para la instalación en paredes delgadas, utilice la placa de soporte (18C) además de la cubierta protectora para yeso (18B). Para la instalación en otros tipos de paredes, no utilice la placa de soporte (18C) y el uso de la cubierta protectora para yeso (18B) es optativo. El agujero central en una pared delgada debe ser de 4 pulg. (101.6 mm) de diámetro.

17

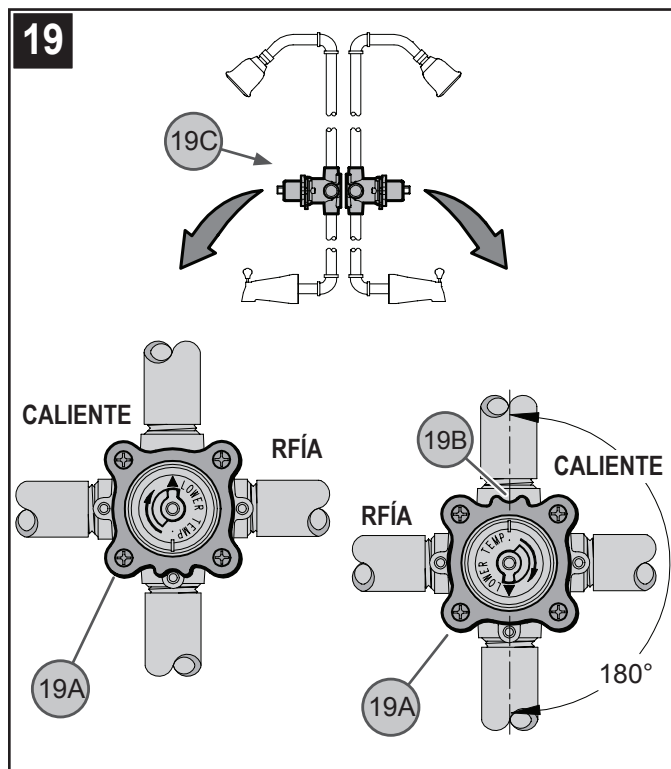


17 PREPARACION DE LA PARED ACABADA

Haga los agujeros apropiados en la pared acabada. Price Pfister recomienda que todos los agujeros del surtidor de la bañera y de salida de la ducha sean de 1 1/4 pulg. (31.8 mm) de diámetro. El agujero central en la pared de yeso debe ser de 4 3/4 pulg. (120.7) de diámetro.

PRECAUCIÓN: Asegúrese de realizar pruebas de fuga y enjuagar antes de preparar la pared acabada.

19



19 LÍNEAS DE ENTRADA INVERTIDAS

Si las entradas de agua caliente y agua fría están invertidas (instalación espalda con espalda) (19C), destornille el conjunto del bonete y la cubierta protectora para yeso. Gire el conjunto del bonete (19A) 180° con la muesca (19B) hacia arriba y rearme.

IDENTIFICACIÓN Y CORRECCIÓN DE PROBLEMAS Y MANTENIMIENTO



Al principio el agua está caliente pero se enfría al girar la manija en sentido contrahorario.

Ésta es una situación posiblemente peligrosa y debe corregirse antes de utilizar la unidad. Verifique las posiciones de las entradas de agua caliente y agua fría. Si la instalación es de espalda con espalda (*en que las entradas de agua caliente y agua fría están invertidas*), consulte el paso 19 de esta guía de instalación.



Fluye agua de la cabeza de la ducha mientras se llena la bañera.

Verifique la posición del cuerpo de la válvula. Las letras "SHWR" deben aparecer en el extremo superior y "TUB" en el extremo inferior, tal como se indica en la figura 4. Además, verifique que no haya ninguna restricción en la línea de salida de la bañera.



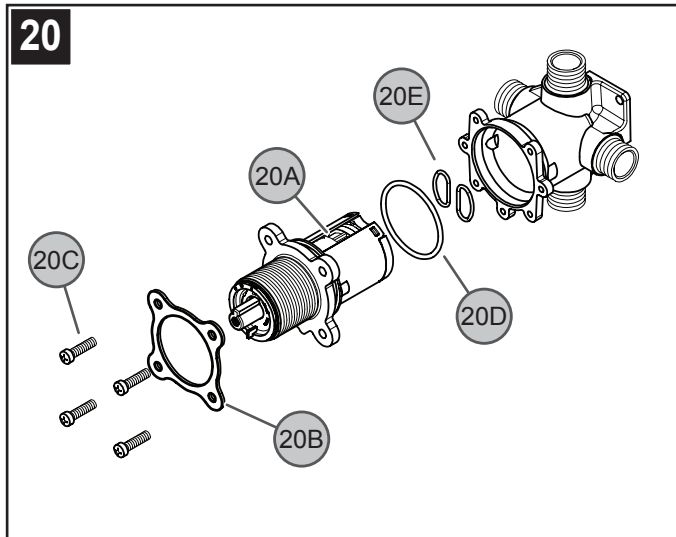
El agua no se calienta lo suficiente.

consulte en la figura 15 para ajustar la gama de temperatura.



Fuiste del surtidor de la bañera mientras se usa la ducha.

El sello del mecanismo de desvío podría haberse desalojado. Podría ser necesario reemplazar el surtidor.



20 LIMPIEZA DEL CARTUCHO

Si la temperatura o el flujo no se mantiene constante, se debe limpiar el conjunto del cartucho (20A). Cierre el suministro de agua. Retire el conjunto de la moldura (no se muestra). Quite los tornillos (20C), la placa de respaldo (20B) y el conjunto del cartucho (20A). Inspeccione las entradas para determinar si hay sedimento, y enjuague con agua. Inspeccione los anillos en O (20D y 20E) para ver si están dañados. Reinstale el conjunto del cartucho (20A) y la placa de respaldo (20B), luego, abra el suministro de agua. Si el problema persiste, reemplace el conjunto del cartucho (20A).

PRECAUCIÓN: No desarme el cartucho (20A).

PRECAUCIÓN: Cuando reinstale el conjunto del cartucho (20A), consulte el paso 9 para obtener más detalles.

21 RECOMENDACIONES PARA LA IDENTIFICACIÓN Y CORRECCIÓN DE PROBLEMAS



Goteo del surtidor de la bañera o de la cabeza de la ducha con el agua cerrada.

Limpie el conjunto del cartucho. Verifique que los dos anillos ovalados en la parte posterior del cartucho estén en la posición correcta. Rearme el conjunto del cartucho, vástago y bonete y la manija (*consulte el paso 20*). Abra el agua y verifique que no haya fugas. Si aún hay fugas, reemplace el conjunto del cartucho y el conjunto del vástago y bonete.



Verifique que las entradas de agua caliente y fría estén abiertas.



Muy poco flujo de agua.

Inspeccione el conjunto del cartucho, Figura 20, para ver si hay residuos. El sedimento a la entrada de agua de la cabeza de la ducha también puede causar este síntoma.



PRECAUCIÓN: Mantenimiento CÓMO DESARMAR:

1. El almacén donde compró su grifo podría tener repuestos disponibles.
2. Cuando no hay repuestos disponibles, sírvase escribir o llamar al departamento de servicio al consumidor de Price Pfister.
3. Siempre antes de efectuar algún trabajo en su grifo, cierre el agua y elimine la presión.



1-800-PFAUCET (1-800-732-8238)

Para obtener información mediante llamadas gratis, llame al 1-800-PFAUCET (1-800-732-8238) o visite www.pricepfister.com

- Apoyo a instaladores
- Información sobre cuidado y garantías

Sample

Merci d'avoir acheté ce produit Price Pfister. Tous les produits Price Pfister sont fabriqués avec soin et contrôlés à l'usine pour offrir une longue durée de service sans problème dans des conditions d'utilisation normales. Il est facile de poser ce mitigeur à l'aide d'un outillage de base et de nos illustrations très claires. Pour toute question concernant ce produit, appeler le 1-800-Pfauet (1-800-732-8238).

1 AVANT DE PROCÉDER À LA POSE

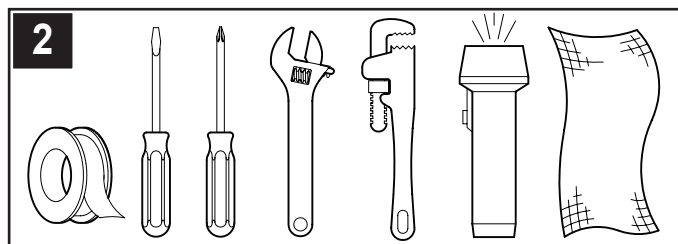
AVERTISSEMENT : lire attentivement toutes les instructions avant de procéder à l'installation. Price Pfister recommande de faire appel à un professionnel en cas d'incertitude quant à l'installation de ce produit ! Ce produit doit être posé en respectant l'ensemble des réglementations locale et nationale en matière de plomberie et de construction.

COUPURE DE L'ARRIVÉE D'EAU

Repérer les arrivées d'eau et fermer leurs robinets. Ces robinets se trouvent généralement à côté du compteur d'eau.

PRÉPARATION DE LA SURFACE

Une pression d'eau d'au moins 137,89 kPa (20 PSI) est nécessaire pour optimiser les performances du mitigeur à régulation de pression Price Pfister neuf. Avoir l'outillage de base à portée de la main pour déposer l'ancien robinet. En cas de remplacement d'un robinet existant, le débrancher et nettoyer soigneusement la surface de montage. Aligner les tuyaux d'arrivée d'eau et les ajuster aux dimensions recommandées. En cas de construction neuve, poser des tuyaux d'arrivée d'eau aux dimensions recommandées.

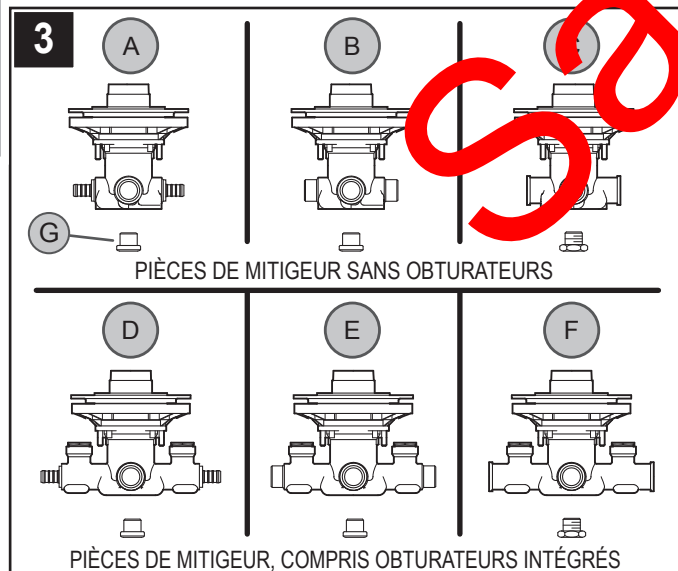


2 OUTILLAGE RECOMMANDÉ

Pose sur tuyauterie en fonte :

- Ruban PTFE de plombier ou mastic d'étanchéité de filetage
- Tournevis plat
- Tournevis cruciforme
- Clé à molette
- Clé serre-tube
- Lampe de poche
- Chiffon

Pour les installations à tuyauterie en cuivre soudée et non standard, certains autres outils peuvent s'avérer nécessaire.



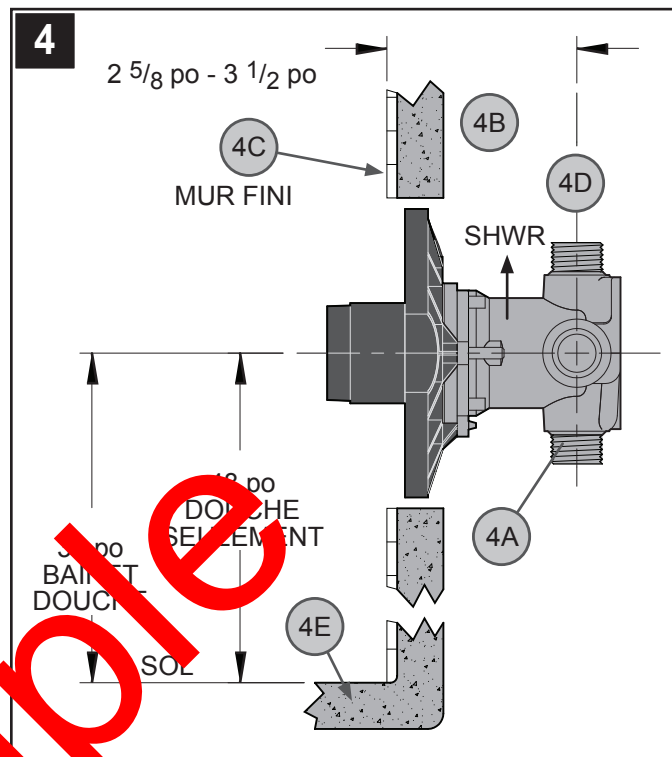
3 VÉRIFICATION DU CONTENU DE LA BOÎTE

Ces instructions s'appliquent à quatre installations différentes. Lors de l'ouverture de la boîte, bien vouloir s'assurer qu'elle contient toutes les pièces suivantes :

- A** JX8-310P Pièces de mitigeur sans obturateurs pour tuyaux de PEX
- B** 0X8-310A Pièces de mitigeur sans obturateurs pour tuyaux en cuivre
- C** JX8-310A Pièces de mitigeur sans obturateurs pour tuyaux de fer
- D** JX8-340P Pièces de mitigeur, compris obturateurs intégrés pour tuyaux de PEX
- E** 0X8-340A Pièces de mitigeur, compris obturateurs intégrés pour tuyaux en cuivre
- F** JX8-340A Pièces de mitigeur, compris obturateurs intégrés pour tuyaux de fer
- G** Shower Only Pipe Plug

Si l'une quelconque de ces pièces est manquante, bien vouloir contacter le service après-vente de Price Pfister au 1-800-Pfauet (1-800-732-8238).

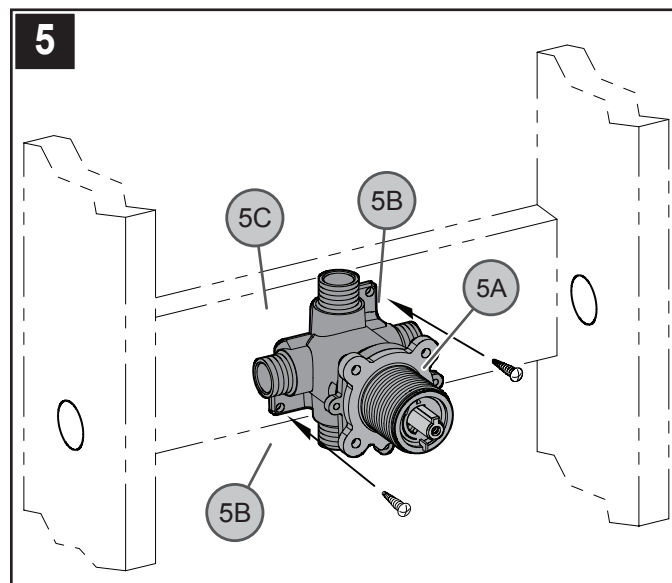
INSTALLATION



4 POSE DU MITIGEUR

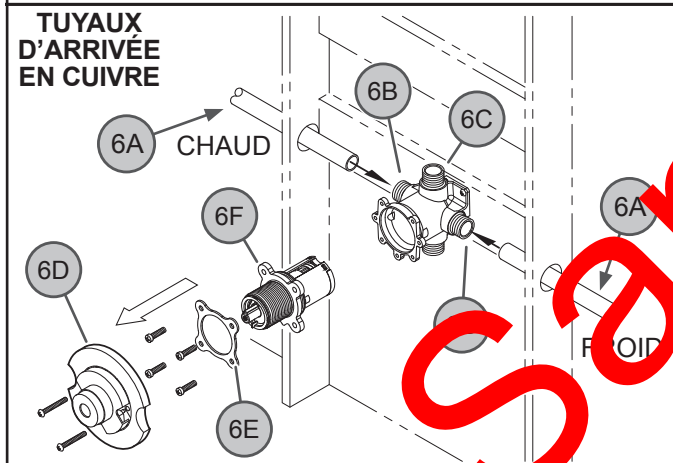
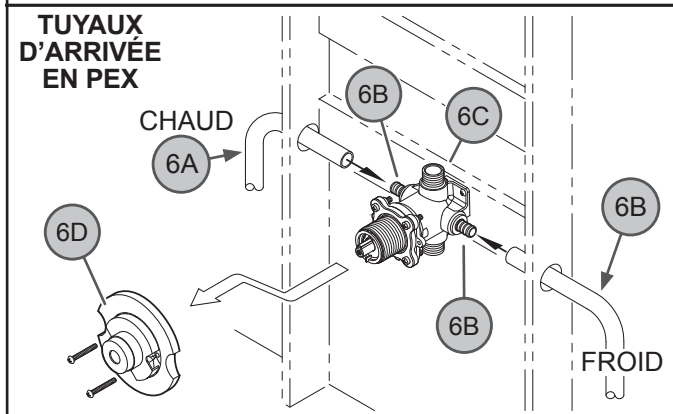
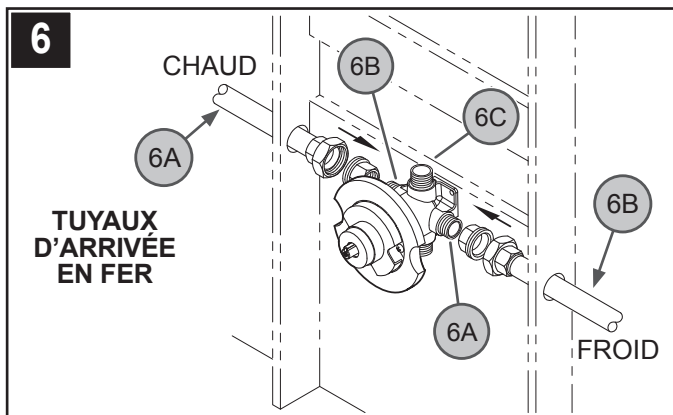
ATTENTION : Veiller à positionner le corps du mitigeur (4A) correctement dans le mur, indication « SHWR » (douche) sur le dessus.

La profondeur d'installation (4B) du corps du mitigeur dans le mur est mesurée du centre de la sortie douche (4D) à la surface du mur fini (4C). Elle doit être comprise entre 66,68 et 89 mm (2 5/8 et 3 1/2 po). La hauteur est mesurée du sol (4E) au centre du corps du mitigeur (76,2 cm [30 po] pour bain et douche et 122 cm [48 po] pour douche seulement).



5 FIXATION DU CORPS DE MITIGEUR

Des trous de vis de (3/16 po.) 4,7 mm de diamètre (5B) sont prévus pour la fixation du corps de mitigeur (5A) à la structure (5C) ou à tout autre support solide. Pour le montage direct spécial (pose sur cloison mince), passer à l'étape 19. Pour l'installation de PEX, relier les lignes de PEX avant de fixer.



6 RACCORDEMENTS DES ARRIVÉES D'EAU

On requiert des accessoires appropriés pour son type de corps de valve. Reliez l'arrivée d'eau (6A) aux entrées du robinet (6B). Les canalisations d'alimentation d'eau chaud entrent à l'admission gauche et d'eau froide entrent à l'admission droite. (Tuyaux d'arrivée d'eau ne sont pas incluses.) Veuillez suivre les instructions du fabricant quand installant les robinets d'arrivée.

TUYAUX D'ARRIVÉE EN FER : Les entrées (6B) et sorties (6C) du corps de mitigeur sont conçues pour s'adapter à une tuyauterie 1/2-14 NPT. Appliquer du mastic d'étanchéité de filetage ou du ruban PTFE de plombier sur toutes les garnitures filetées en suivant les instructions du fabricant.

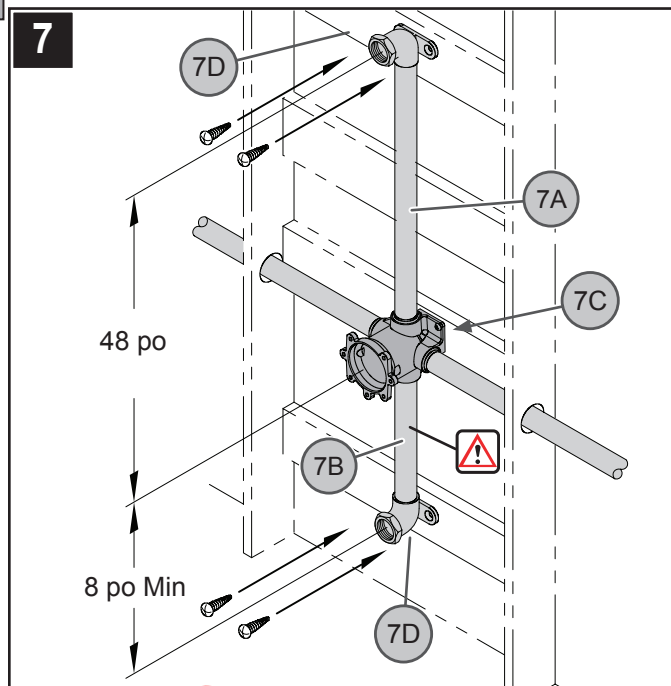
ATTENTION : En cas d'utilisation de tuyaux en fonte, il n'est pas recommandé de réduire le diamètre du tuyau de sortie.

TUYAUX D'ARRIVÉE EN PEX : Les entrées (6B) du corps de mitigeur sont conçues pour s'adapter à une tuyauterie en PEX de 1/2 po. et sorties (6C) sont conçues pour s'adapter à une tuyauterie en cuivre de 1/2 po. Retirer le pare-plâtre (6D).

NOTE : Ce corps de valve ne doit pas être employé avec du polybutylène ou le système de PEX de « expansion » de Wirsbo.

TUYAUX D'ARRIVÉE EN CUIVRE : Les entrées (6B) et sorties (6C) du corps de mitigeur sont conçues pour s'adapter à une tuyauterie en cuivre de 1/2 po.

AVERTISSEMENT : Retirer le pare-plâtre (6D), la plaque d'appui (6E) et la cartouche (6F) avant de souder tout raccord d'entrée ou de sortie. Sinon, ils risquent d'être endommagés par l'eau. Pour les mitigeurs à obturateurs intégrés, ouvrir la tige du mitigeur avant de souder. (Voir l'étape 12).

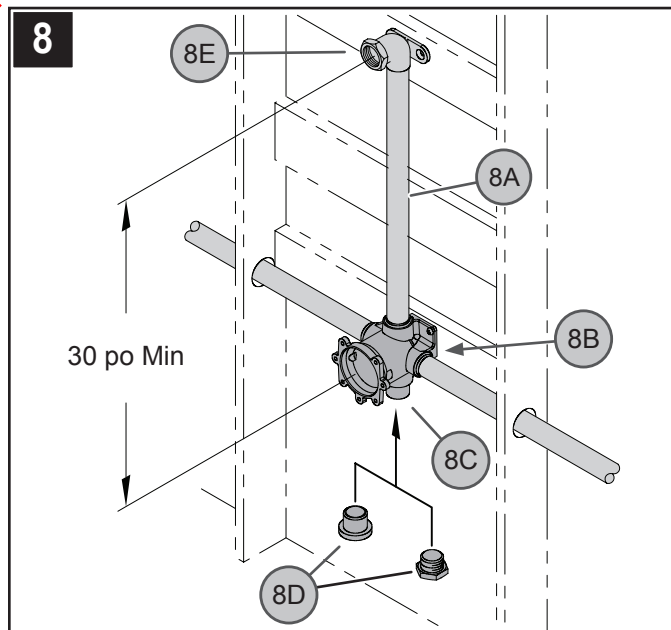


7 RACCORDEMENT AUX SORTIES BAIN ET DOUCHE

Raccorder les tuyaux de sortie de douche (7A) et de baignoire (7B) au corps de mitigeur (7C). Raccorder les coudes (7D) (non fournis) à l'extrémité des deux tuyaux. Nous recommandons d'utiliser des coudes de drainage (7D) (non fournis). Les fixer solidement à la structure ou à un autre support solide. La hauteur des tuyaux de sortie est mesurée du centre du coude à celui du corps de mitigeur comme indiqué.

AVERTISSEMENT : Raccordements à une tuyauterie en fonte ou de raccords filetés, appliquer du mastic d'étanchéité de filetage ou du ruban PTFE de plombier en suivant les instructions du fabricant.

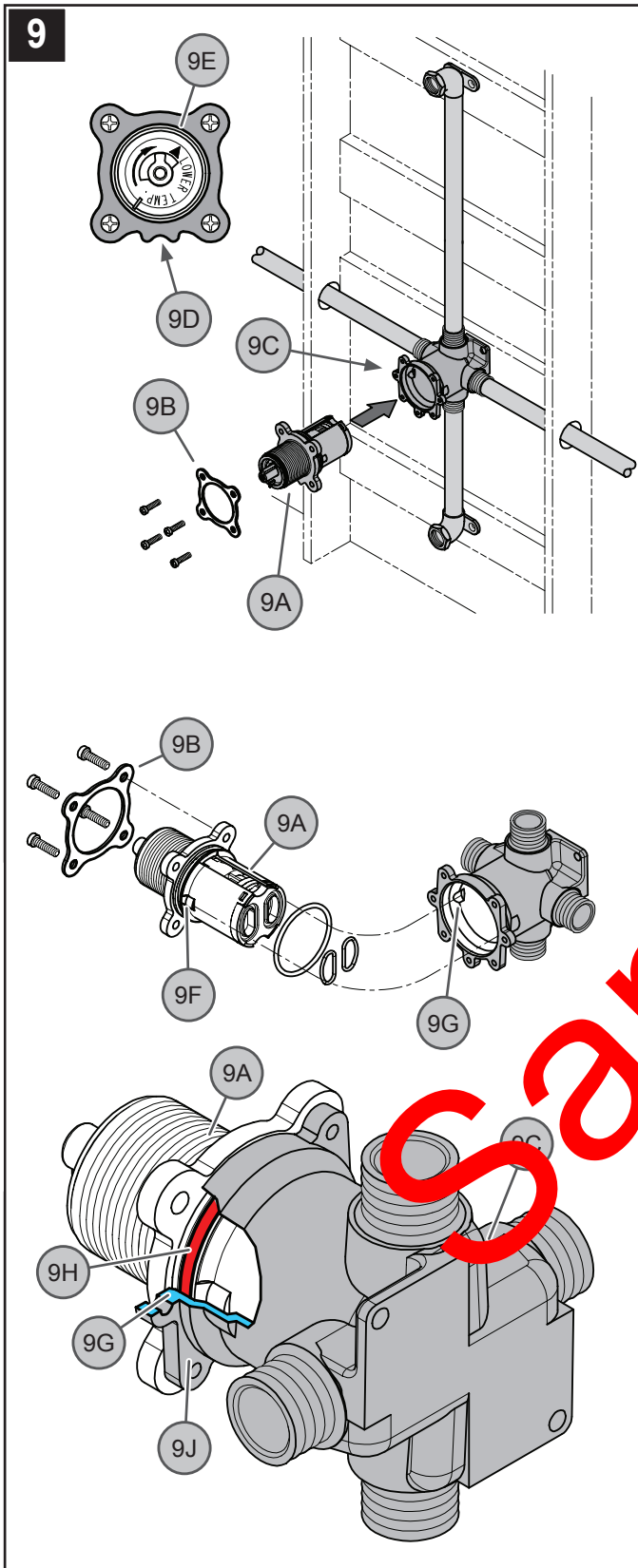
AVERTISSEMENT : Utilisez seulement les pipes de cuivre ou de fer de 1/2 po. entre la valve et du fournisseur de la baignoire. (n'utilisez pas de pipes PEX) ! Ne réduisez pas le diamètre intérieur de pipe !



8 RACCORDEMENT À UNE SORTIE DOUCHE UNIQUEMENT

Raccorder le tuyau de sortie douche (8A) au corps de mitigeur (8B). Obturer la sortie inférieure (8C) au moyen d'un obturateur ou bouchon de tuyau (8D). Raccorder un coude (8E) (non fourni) à l'extrémité du tuyau. Dans le cas des sorties à tuyau en cuivre, nous recommandons d'utiliser des coudes de drainage (8E) (non fournis). Le fixer solidement à la structure ou à un autre support solide. La hauteur des tuyaux de sortie est mesurée du centre du coude à celui du corps de mitigeur comme indiqué.

AVERTISSEMENT : Raccordements à une tuyauterie en fonte ou de raccords filetés, appliquer du mastic d'étanchéité de filetage ou du ruban PTFE de plombier en suivant les instructions du fabricant.

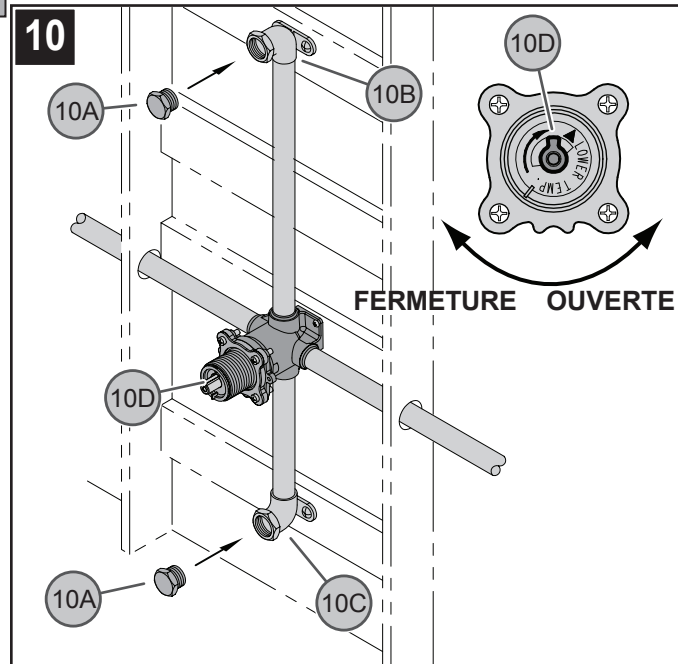


9 REMONTAGE DE LA CARTOUCHE

Une fois que tous les raccords de tuyaux sont soudés, remonter la cartouche (9A) et la plaque d'appui (9B) dans le corps de mitigeur (9C). S'assurer que l'encoche (9D) est sur le dessous (pour les poses dos à dos, voir l'étape 20).

AVERTISSEMENT : Lors du remontage, s'assurer que les pattes (9F) de la cartouche (9A) sont bien en place sur les rainures (9G) du corps de mitigeur.

AVERTISSEMENT : Lors du remontage de la cartouche (9A) et de la plaque d'appui (9B), s'assurer que le joint torique (9H) est dans la gorge et n'est pas pincé entre la bride d'appui (9G) et la partie coulée (9J). Sinon, des fuites d'eau se produiront et causeront des dégâts.



10 ESSAI SOUS PRESSION DU MITIGEUR

Poser un bouchon de tuyau en fonte de $\frac{1}{2}$ po (10A) (*non fourni*) sur les sorties douche (10B) et bain (10C). Tourner la tige du mitigeur (10D) dans le sens antihoraire jusqu'à la position d'ouverture maximum et contrôler l'étanchéité de tous les raccords. Tourner la tige (10D) dans le sens horaire pour couper l'eau. Vérifier les sorties pour voir si elles fuient.

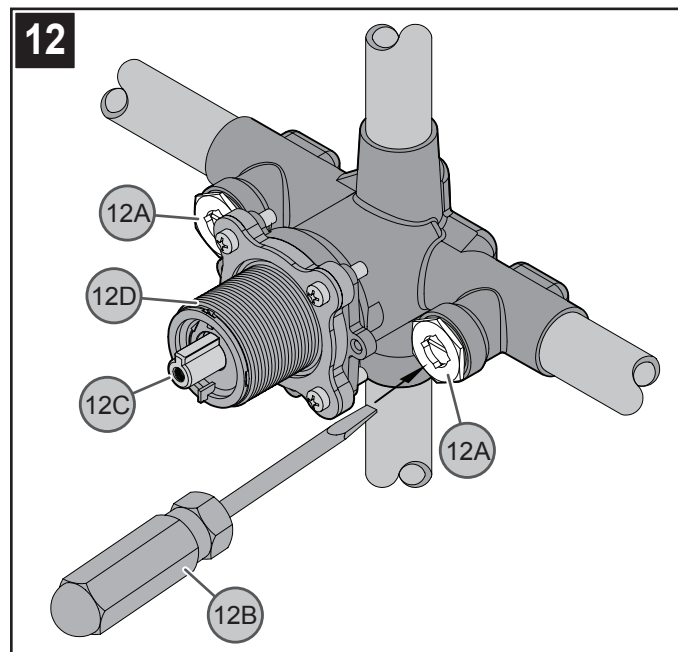
AVERTISSEMENT : La pression d'essai ne doit pas dépasser 1723 kPa (250 PSI). S'assurer que la pression est équilibrée entre les arrivées d'eau chaude et d'eau froide.

AVERTISSEMENT : La différence de pression entre les arrivées d'eau chaude et d'eau froide ne doit pas dépasser 698,4 kPa (100 PSI).

ATTENTION : Retirer lentement les bouchons de tuyaux (10A) des sorties bain et douche pour dissiper la pression.

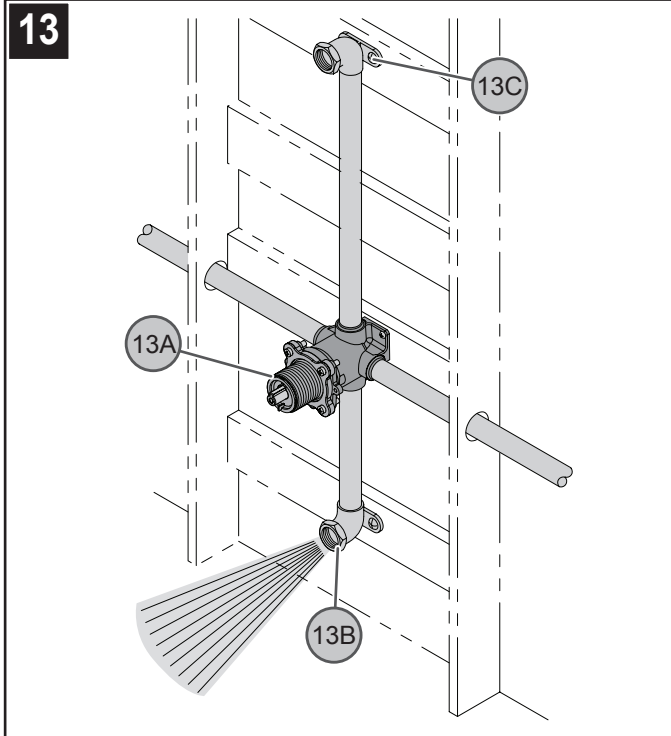
11 MISE EN SERVICE DE L'APPAREIL

Ouvrir les arrivées d'eau et contrôler l'étanchéité de tous les branchements.

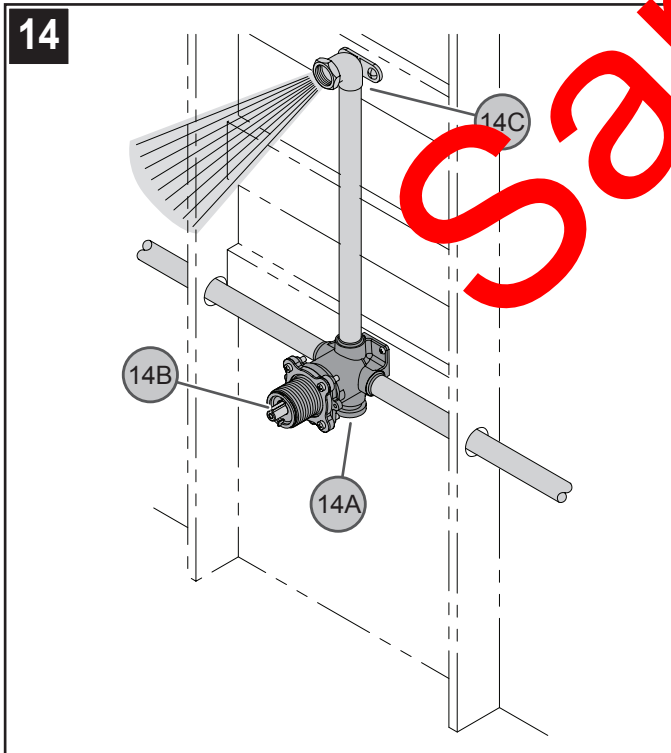


12 MODÈLES À OBTURATEURS INTÉGRÉS

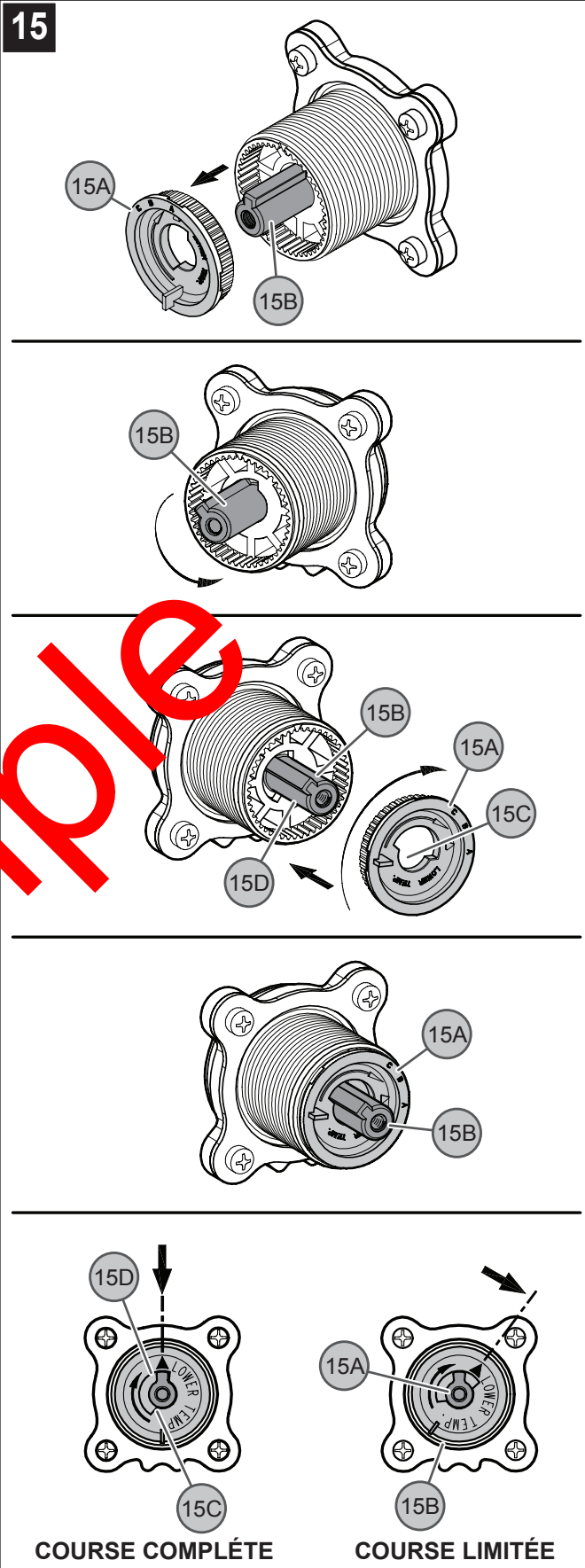
Les obturateurs intégrés (12A) constituent un moyen de substitution de coupure d'arrivée d'eau. Il est possible, à l'aide d'un tournevis plat (12B), de couper entièrement l'arrivée d'eau en faisant tourner la tige du mitigeur (12C) dans le sens horaire. L'obturateur intégré peut servir à couper l'eau provisoirement pour pouvoir accéder à la cartouche (12D) à des fins d'entretien.

**13 RINÇAGE****Combinaison bain/douche**

Tourner la tige (13A) dans le sens antihoraire pour laisser l'eau couler du bec (13B) de la baignoire jusqu'à ce que tous les débris aient été expulsés du tuyau. L'eau ne doit pas couler de la sortie douche (13C) pendant cette opération. Si de l'eau coule de la sortie douche, vérifier le mitigeur pour s'assurer que l'indication SHWR (douche) est sur le dessus (voir l'étape 4).

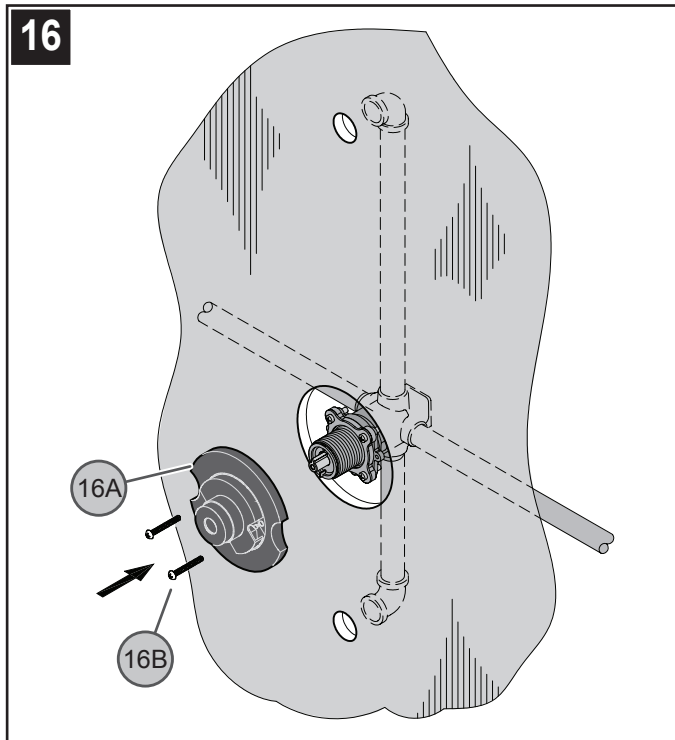
**14 RINÇAGE****Douche seulement**

Veiller à obturer la sortie inférieure avec un obturateur ou bouchon de tuyau (14A) en appliquant du mastic d'étanchéité pour filetage. Tourner la tige (14B) dans le sens antihoraire pour laisser l'eau couler de la sortie douche (14C) jusqu'à ce que tous les débris aient été expulsés du tuyau. Si le débit diminue ou qu'aucune eau ne s'écoule, (voir l'étape 20).

**15 RÉGLAGE DE TEMPÉRATURE**

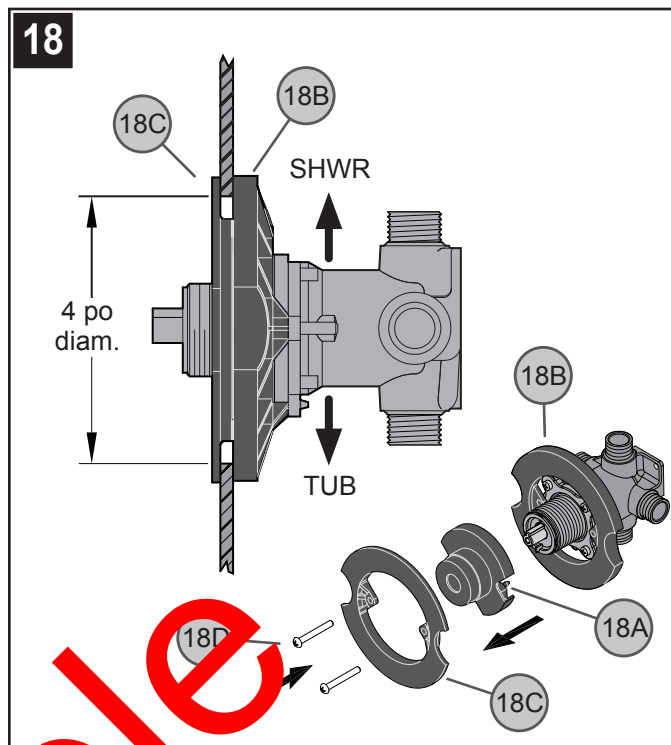
La couronne de réglage (15A) est réglée à l'usine pour empêcher la tige d'atteindre la position d'eau brûlante. Pour régler la rotation de la tige : retirer la couronne de réglage (15A). Tourner la tige (15B) dans le sens antihoraire pour définir une température maximum désirée. Remettre la couronne (15A) en place en alignant la butée de réglage (15C) et la barrette de la tige (15D) de façon à ce que la tige ne puisse se déplacer au-delà du point de réglage.

16

**16 PRÉPARATION DU MUR FINI**

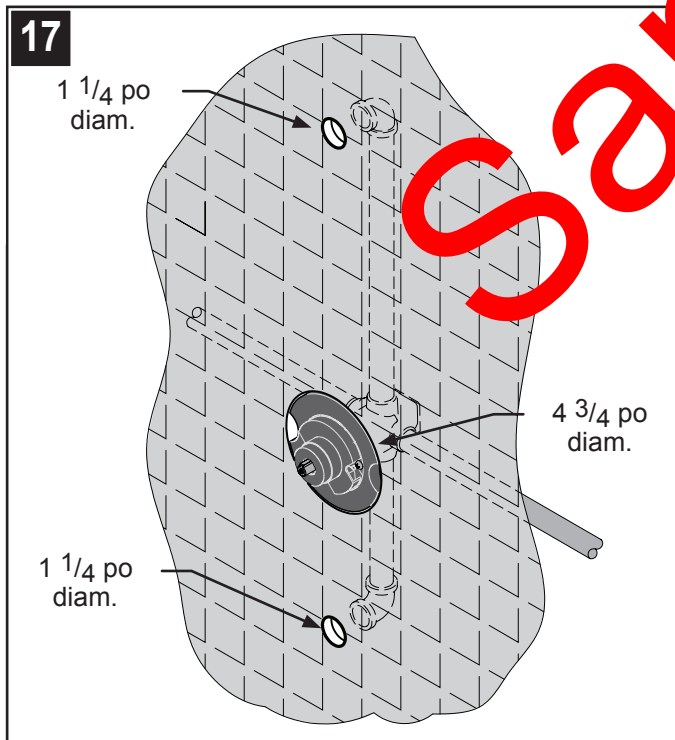
Remettre le pare-plâtre (16A), fixez-la avec les vis (16B) et dans le corps du mitigeur. Effectuez la finition du mur.

18

**18 POSÉ SUR CLOISON MINCE**

Passer la partie centrale (18A) du pare-plâtre (18B) et retirer les vis (18D). Pour la pose sur cloison mince, utiliser la plaque d'appui (18C) en plus du pare-plâtre (18B). Pour la pose sur d'autres types de murs, ne pas utiliser la plaque d'appui (18C); l'utilisation du pare-plâtre (18B) est facultative. Le trou central sur cloison mince doit être de 10 cm (4 po) de diamètre.

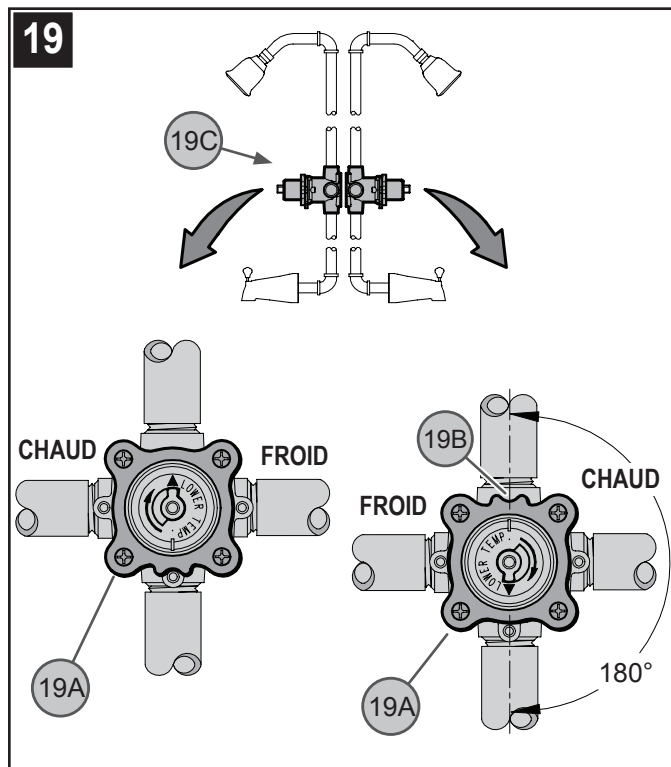
17

**17 PRÉPARATION DU MUR FINI**

Percer les trous appropriés dans le mur fini. Price Pfister recommande que les trous des sorties de bec de baignoire et de douche soient de 1 1/4 po de diamètre. Le trou central percé dans le mur en plâtre doit être de 4 3/4 po de diamètre.

ATTENTION : Veillez à contrôler l'étanchéité et à effectuer le rinçage avant de préparer le mur fini.

19

**19 TUYAUX D'ARRIVÉE INTERVERTIS :**

Si les arrivées d'eau chaude et d'eau froide sont interverties (pose dos à dos) (19C), dévisser le pare-plâtre et le chapeau. Faire tourner le chapeau (19A) de 180°, encoche (19B) en haut, et remonter.



L'eau est chaude quand elle commence à couler et refroidit lorsque la manette est tournée dans le sens antihoraire.

Cette situation est potentiellement dangereuse et doit être corrigée avant l'utilisation du mitigeur. Vérifier la position des arrivées d'eau chaude et d'eau froide. En cas d'installation dos à dos (*dans laquelle les arrivées d'eau chaude et d'eau froide sont interverties*), se reporter à l'étape 19 de ce guide d'installation.



De l'eau s'écoule de la douchette lors du remplissage de la baignoire.

Vérifier la position du corps du mitigeur. Les lettres SHWR (*douche*) doivent se trouver en haut et « TUB » (*bain*) en bas comme indiqué sur la Figure 4. Vérifier également la conduite d'évacuation de la baignoire pour voir si elle est obstruée.



L'eau ne devient pas assez chaude.

Reporter à la figure 15 pour la plage de réglage de température.



De l'eau s'écoule du bec de la baignoire pendant l'utilisation de la douche.

Le joint qui se trouve à l'intérieur du mécanisme de dérivation peut s'être délogé. Il est également possible que le bec de baignoire doive être remplacé.

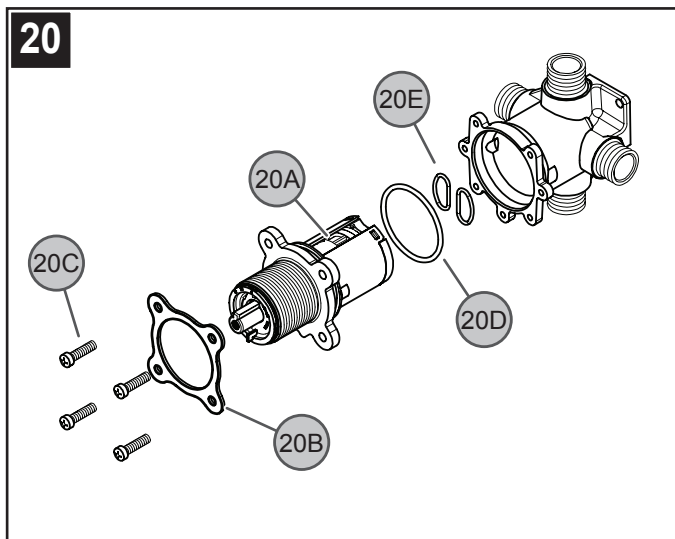


ATTENTION : entretien

DÉMONTAGE


1. Il se peut que les pièces de rechange soient disponibles dans le magasin dans lequel le mélangeur a été acheté.
2. Lorsque des pièces de rechange ne sont pas disponibles, bien vouloir contacter le département du service après-vente de Price Pfister par courrier ou par téléphone.
3. **Toujours couper les arrivées d'eau et dépressuriser avant de travailler sur le mélangeur.**


20



20 NETTOYAGE DE LA CARTOUCHE

Si la température ou le débit ne restent pas constants, la cartouche (20A) doit être nettoyée. Couper l'arrivée d'eau. Retirer la garniture (non représentée). Retirer les vis (20C), la plaque d'appui (20B) et la cartouche (20A). Examiner les entrées pour voir si des dépôts s'y sont accumulés et les rincer à l'eau. Examiner les joints toriques (20D et 20E) pour voir s'ils sont endommagés. Remettre la cartouche (20A) et la plaque d'appui (20B) en place, puis ouvrir l'arrivée d'eau. Si le problème persiste, remplacer la cartouche (20A).

 **ATTENTION** : Ne pas démonter la cartouche (20A).

 **ATTENTION** : Lors de la remise en place de la cartouche (20A), voir l'étape 9 pour plus de détails.

20 CONSEILS DE DÉPANNAGE



Égouttement du bec de baignoire ou de la douchette lorsque l'arrivée d'eau est coupée.

Nettoyer la cartouche. La vérifier pour s'assurer que les deux joints toriques ovales qui se trouvent au dos de la cartouche sont en place. Remonter la cartouche, la tige, le chapeau et la manette (*voir l'étape 20*). Ouvrir l'arrivée d'eau et faire un essai. Si la fuite persiste, remplacer la cartouche de régulation, le chapeau et la tige.



S'assurer que les arrivées d'eau chaude et d'eau froide sont ouvertes toutes les deux.



Le débit d'eau est très faible.

Vérifier la cartouche, figure 20, pour voir si des débris s'y sont accumulés. La présence de dépôts à l'endroit où l'eau pénètre dans la douchette peut également causer ce symptôme.

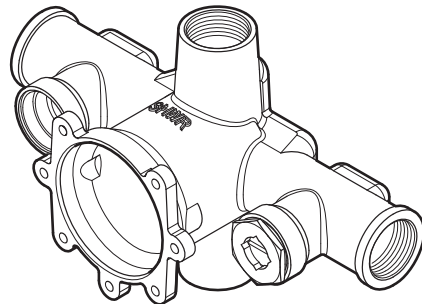
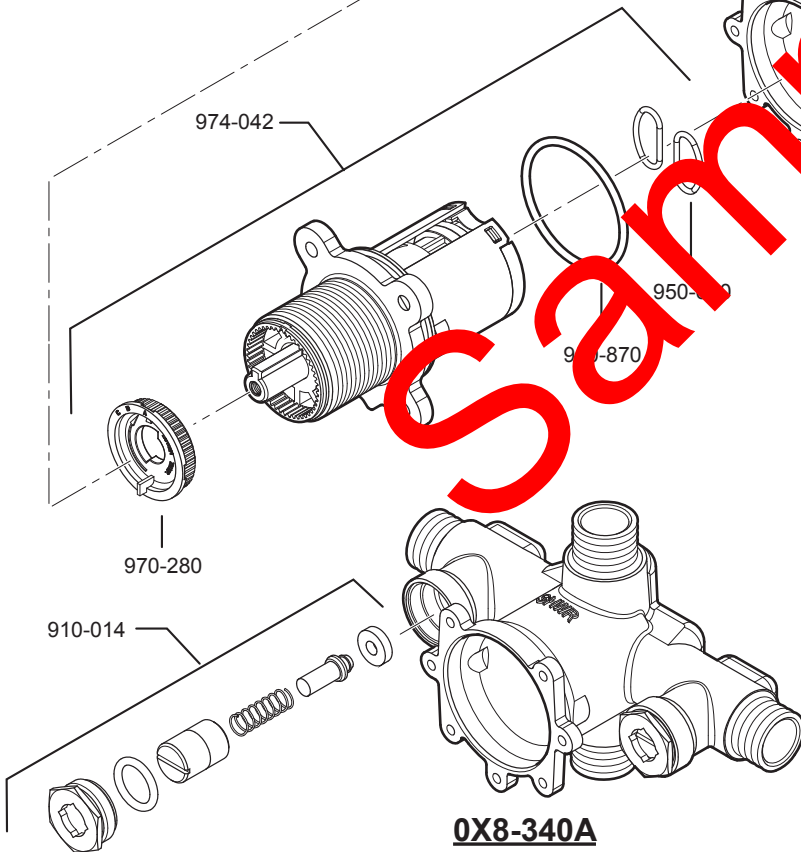
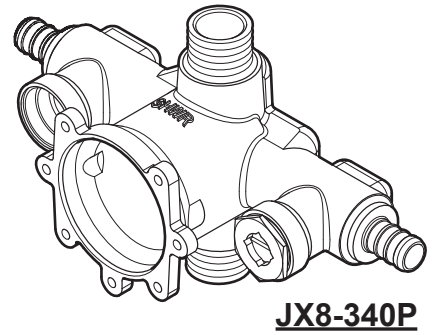
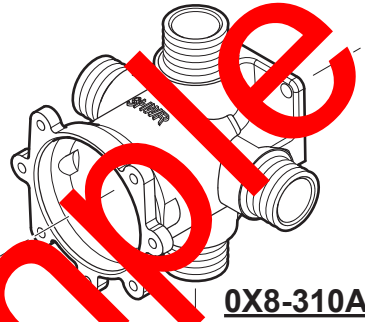
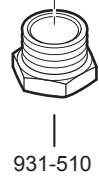
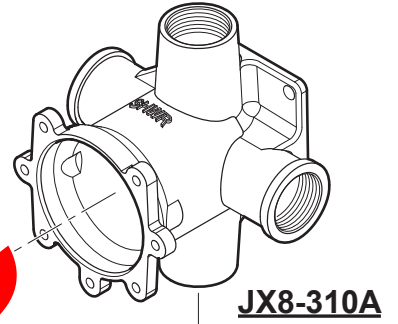
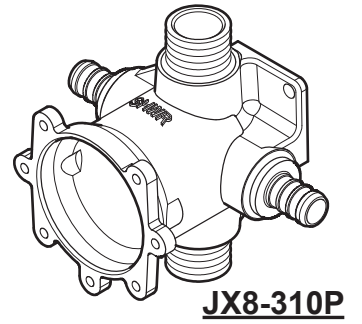
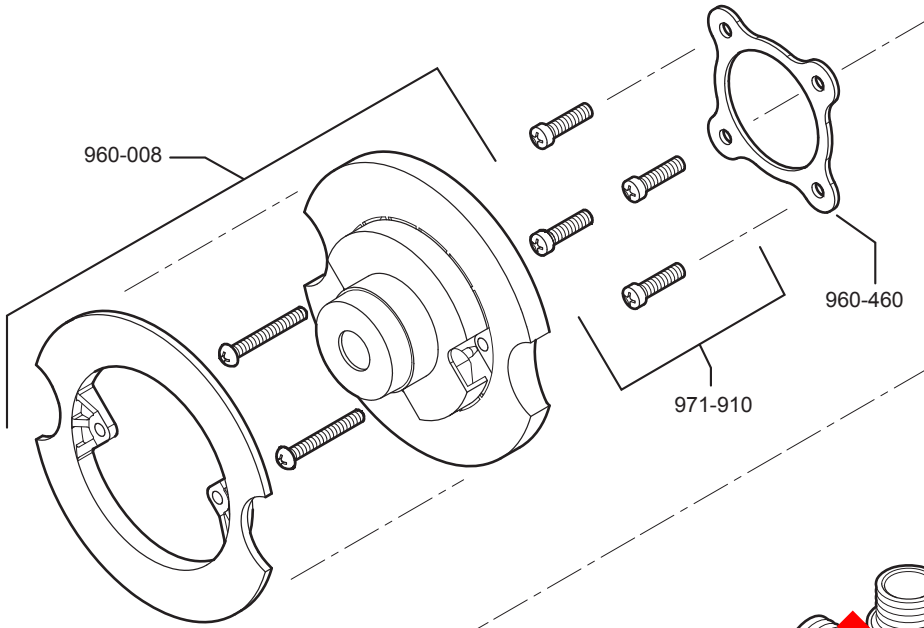


1-800-PFAUCET (1-800-732-8238)

Pour les renseignements concernant le service sans frais de Pfister, appelez 1-800-PFAUCET (1-800-732-8238) appel ou visitez www.pricepfister.com

- Aide pour le montage
- Renseignements sur l'entretien et la garantie

0X8 • JX8



Price Pfister

19701 DaVinci
Lake Forest, CA 92610
Phone: 1-800-Pfaucet
www.pricepfister.com

A **BLACK & DECKER** COMPANY