



## MODERN ARCHITECTURAL SIDE LEVER PULL-DOWN KITCHEN FAUCET

ROHL Modern Kitchen

**LS59L**

### FEATURES

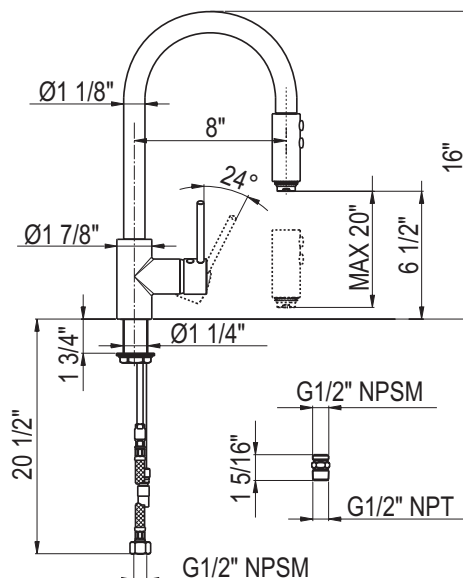
- Dual spray modes
- Metal lever
- Brass construction
- 1 3/4" max. installation depth on deck
- Ceramic disc control cartridge
- 8" reach C-spout, dual function retractable pulldown spray
- 26" maximum hose extension
- Matching kitchen faucet for LS53L
- 1.8 GPM
- Requires 2 1/2" clearance from backsplash to center of faucet hole
- Pulldown hose is Polished Chrome on all faucet finishes, other hose finishes are not available
- Handspray locks into spray mode
- Anti-scald device

### COLORS/FINISHES

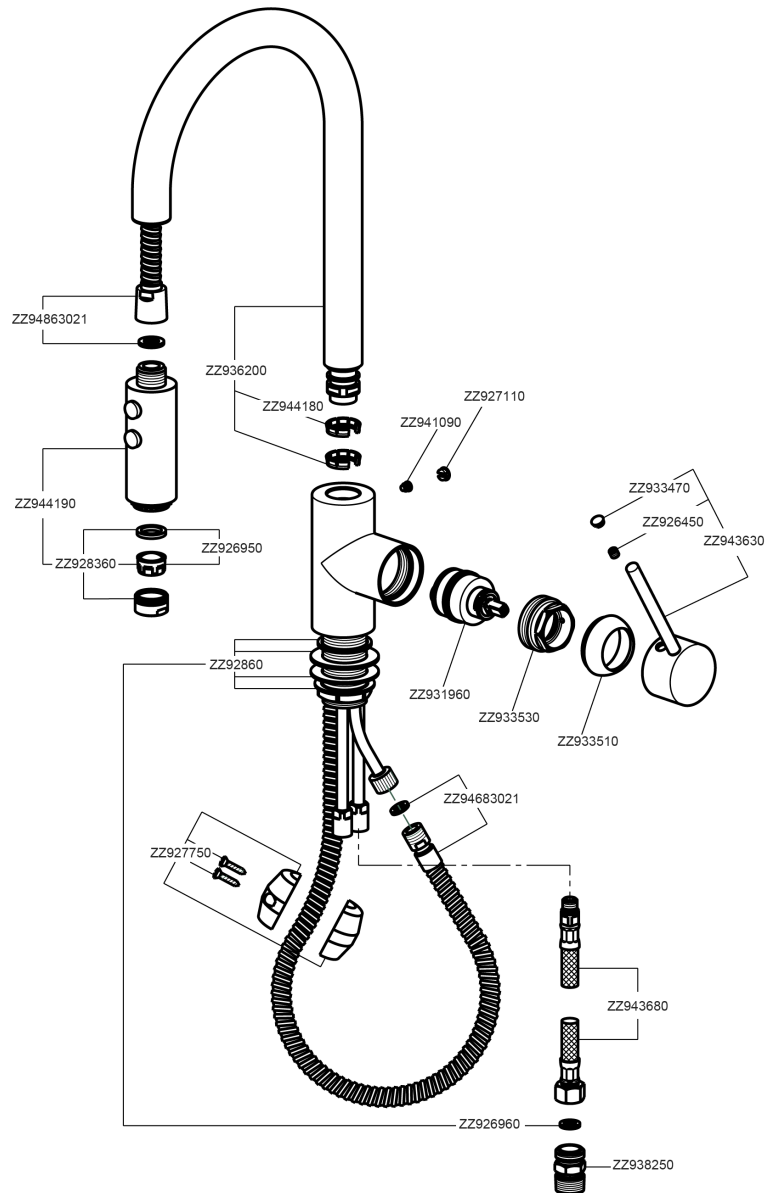
- Polished Chrome
- Polished Nickel
- Satin Nickel

### WARRANTY

- Limited Lifetime



## SPARE PARTS



## INSTALLATION INSTRUCTIONS

### TECHNICAL DATA

- Minimum dynamic pressure . . . . .7,25 PSI
- Maximum operational pressure (static) . . . . .145 PSI
- Recommended operational pressure (static) . . . .14,5-72,5 PSI
- (N.B.: for pressures higher than 72,5 PSI we suggest the installation of a pressure reducer)
- Maximum test pressure (static) . . . . .232 PSI
- Maximum hot water temperature . . . . .176°F
- Suggested hot water temperature . . . . .140°F (for energy saving)
- Flow rate . . . . .max 1,8 gpm 60psi

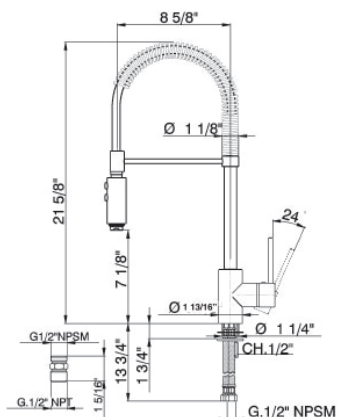
PRESSURE	FLOW RATE
7,25 psi	1 gpm
14,50 psi	1,5 gpm
29,00 psi	1,8 gpm
43,50 psi	1,8 gpm
58,00 psi	1,8 gpm
72,50 psi	1,8 gpm

### PRELIMINARY INFORMATION

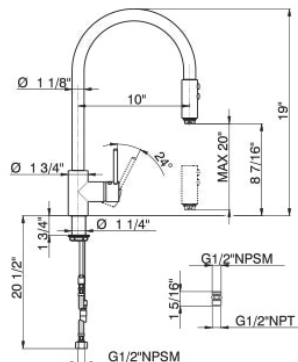
Mixers of the KITCHEN series are fit for operating with hot water collectors under pressure, instantaneous and gas water-heaters.

**ATTENTION:** *the connection with hot water collectors without pressure (with open circuit) is not possible.*

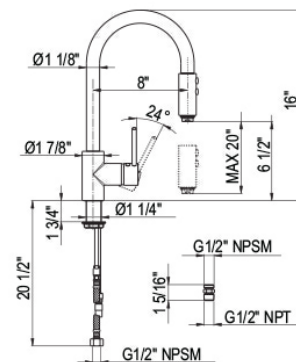
**NOTE:** All installations require a 2 1/2" clearance from backsplash to center of hole drilling



**LS64**



**LS57**



**LS59**

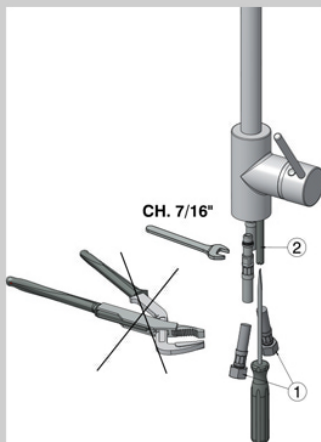
## INSTALLATION INSTRUCTIONS

### INSTALLATION (ref. Fig. 1-2)

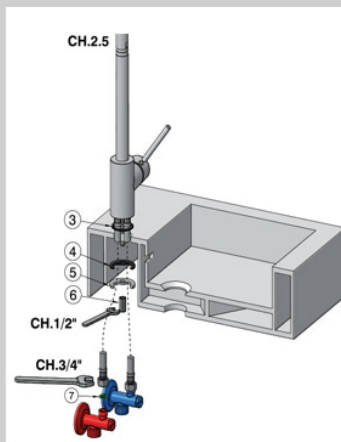
- Screw the hoses (1) to the mixer using an 11 mm wrench positioning it in the appropriate milled slots.
- **IMPORTANT:** during assembly operations of hoses **ABSOLUTELY NEVER TAKE GRIP** of the bushes of hoses with Allen wrenches or adjustable pliers that damaging them would damage to the safety of the installation.
- Screw the fastening rod (2).
- Fix the mixer to the ceramics
- (3) Safe ceramics packing
- (4) Shaped packing of black rubber
- (5) Fixing clamp
- (6) Hexagonal nut wrench 1/2".
- Assemble the handshower's holder (9), paying attention that the red little stamp (15) is turned downwards. Place the holder in the chosen position and tighten the pin (8).
- Screw down the flexible hose (11), placing the gasket (10) between the flexible hose and the connection.
- Mount the spring (12) on the flexible hose.
- Screw down the handshower (14) on the flexible hose (11), placing the gasket (13) between the handshower and the flexible hose.
- Connect the mixer to the installation; tightening the nuts by a 3/4" wrench (Insert the gaskets (7) between the nuts and the water pipes).
- Open the water pipes and check the tightness of the connections and the proper functioning of the mixer (maximum test pressure 16 bar static).

### REPLACEMENT OF THE MIXING VALVE WITH CERAMIC DISCS (ref. Fig. 3)

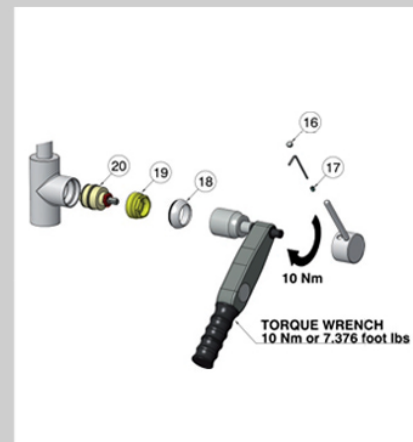
- Close the hot water and cold water inlets.
- Remove the plate for covering the hole (16) and unscrew the locking pin (17) using a hexagonal wrench of 3 mm
- Remove the lever and the cap (18) pulling upwards.
- Unscrew the caps (19) with the 11/4" wrench and remove the mixing valve (20).
- Insert the new mixing valve verifying that no dirt is left between the plane surface and the gaskets.
- Screw the caps (20) by **DYNAMOMETRIC WRENCH applying a screwing torque of 10Nm**.
- Insert the cap and reassemble the lever.



**fig.1**



**fig.2**



**fig.3**

## INSTALLATION INSTRUCTIONS

### WARRANTY

**Country Bath Arcana Collection has a limited lifetime warranty.**

**“Warranty Exclusion: This warranty is for normal domestic use only and excludes defect or injury caused by or resulting from misuse, abuse, neglect, accident damage or improper installation”.**

**There is no warranty on the finish Tuscan Brass**

### FINISH CARE

1. WIPE DOWN AFTER USE TO AVOID SPOTTING
2. USE A SOFT BRUSH FOR DETAIL CLEANING
3. DO NOT USE SPRAY CLEANERS WITH AMMONIA, ALCOHOL OR BLEACH
4. DO NOT USE ABRASIVES LIKE COMET, AJAX OR BONAMI

<b>FINISH</b>	<b>CLEANING</b>	<b>CARE</b>
CHROME	50-50 VINEGAR AND WATER	FLITZ WAX OR GAGNON, SIMICHROME
INCA BRASS	50-50 VINEGAR AND WATER	<b>DO NOT USE FLITZ – GAGNON OK</b>
POLISHED NICKEL	50-50 VINEGAR AND WATER	FLITZ WAX OR GAGNON, SIMICHROME
SATIN NICKEL	50-50 VINEGAR AND WATER	FLITZ WAX OR GAGNON
TUSCAN BRASS	PAT DRY AFTER USE	FLITZ WAX. DO NOT RUB OR WIPE.

FOR WATER SPOTTING ON CHROME, POLISHED NICKEL OR SATIN NICKEL, USE SIMICHROME PASTE.