



Exposed Thermostatic Shower Mixer with Lever Handles

ROHL Perrin & Rowe Bath

U.5550L

FEATURES

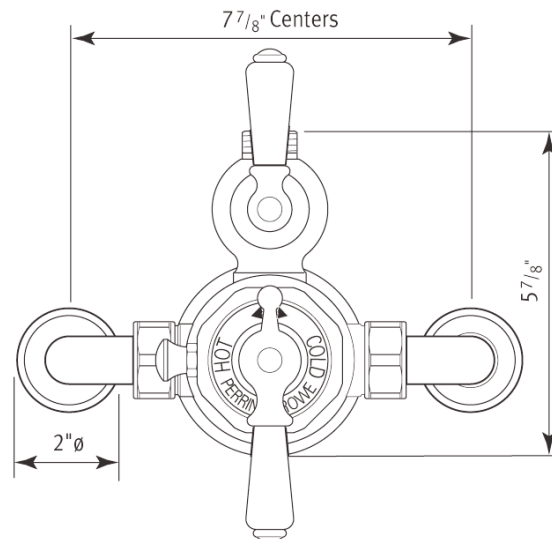
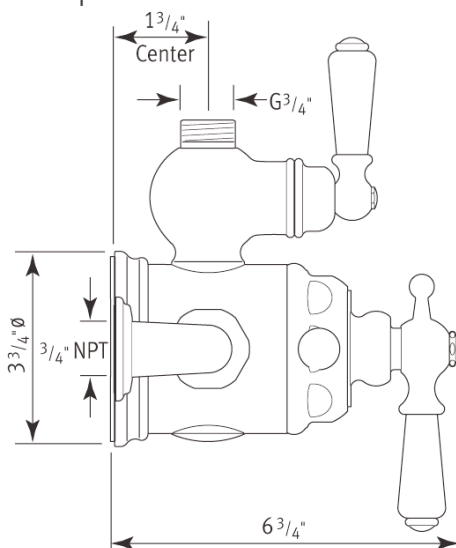
- Inlets 7 7/8" center-to-center
- Inlets 3/4" female NPT
- True 3/4" inlets and waterways for high output
- CNC machined from solid brass bar stock
- Exposed thermostatic valve
- Volume Control
- U.5398 secondary outlet adaptor required for bottom outlet tub spout connection
- Additional functions should go off top with U.5397
- 14-16 GPM
- Lever handle design
- Includes both porcelain and metal lever inserts

COLORS/FINISHES

- Polished Chrome
- Polished Nickel
- Satin Nickel
- Inca Brass
- English Bronze

WARRANTY

- Limited Lifetime



U.5550L Spare Parts

