



Georgian Era Exposed Therm Valve with Volume and Temperature Control

ROHL Perrin & Rowe Bath

U.5752X

FEATURES

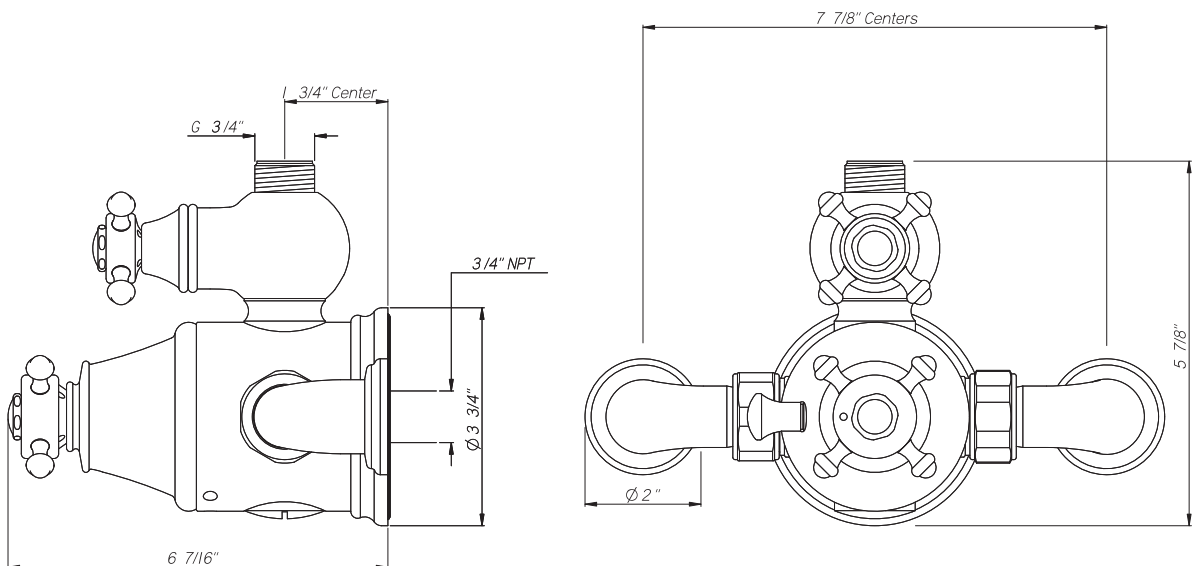
- Inlets 7 7/8" center-to-center
- Inlets 3/4" female NPT
- CNC machined from solid brass bar stock, not cast
- Exposed thermostatic valve
- Volume control, cross handles
- True 3/4" inlets and waterways for high output
- U5398 secondary outlet adapter required for bottom outlet tub spout connection
- Additional functions should go off top with U5397
- 14-16 GPM

FINISHES

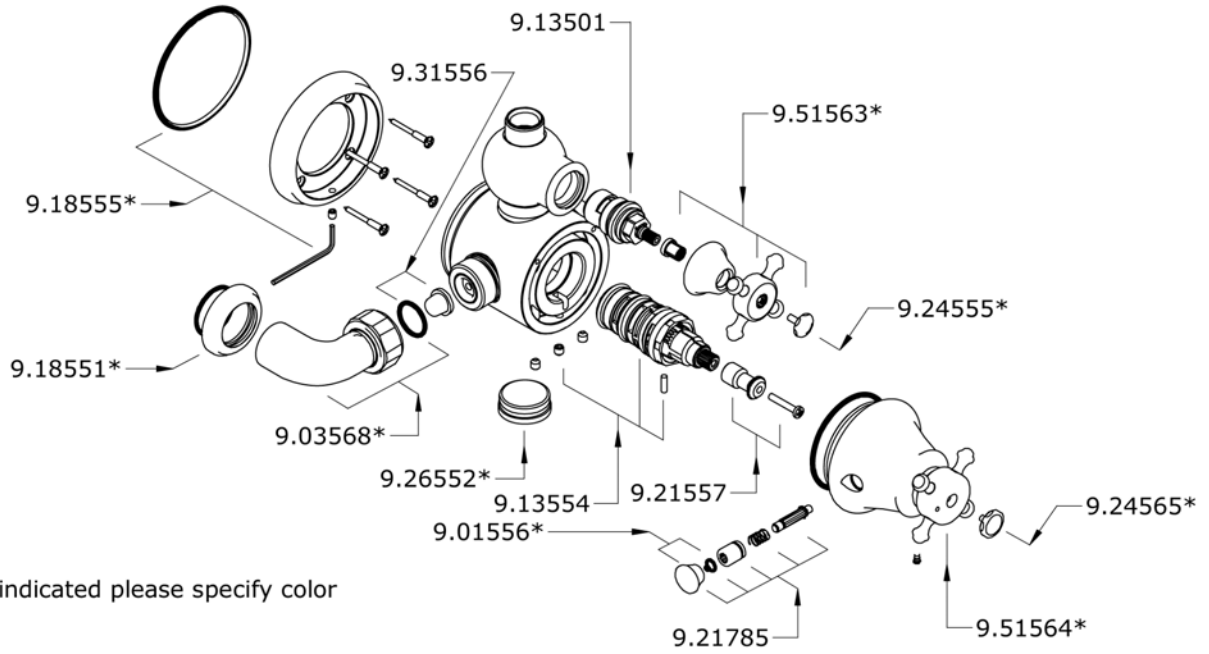
- Polished Chrome
- Polished Nickel
- Satin Nickel
- Inca Brass
- English Bronze

WARRANTY

- Limited Lifetime



U.5752X Spare Parts



* Where indicated please specify color