



Perrin & Rowe® Exposed Shower Package

ROHL Perrin & Rowe® Bath

U.KIT2L (Lever Handles)

U.KIT2X (Cross Handles)

FEATURES

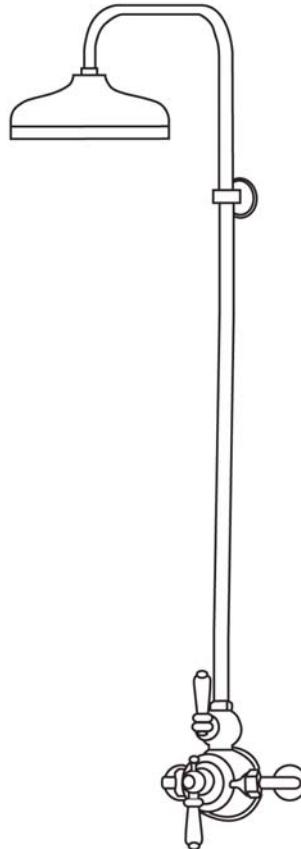
- Shower package components:
 - U.5550L or U.5552X - Exposed Therm Mixer
 - U.5391 - 40" Riser
 - U.5205 - 8" Showerhead

COLORS/FINISHES

- Polished Chrome
- Polished Nickel
- Satin Nickel
- English Bronze
- Inca Brass

WARRANTY

- See individual component specs for warranty





Exposed Thermostatic Shower Mixer with Lever Handles

ROHL Perrin & Rowe Bath

U.5550L

FEATURES

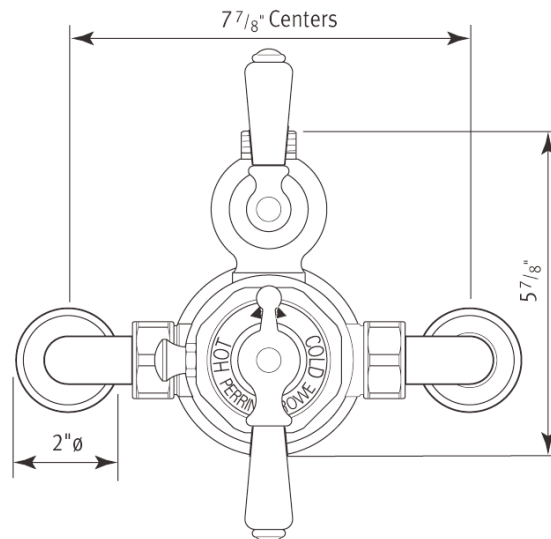
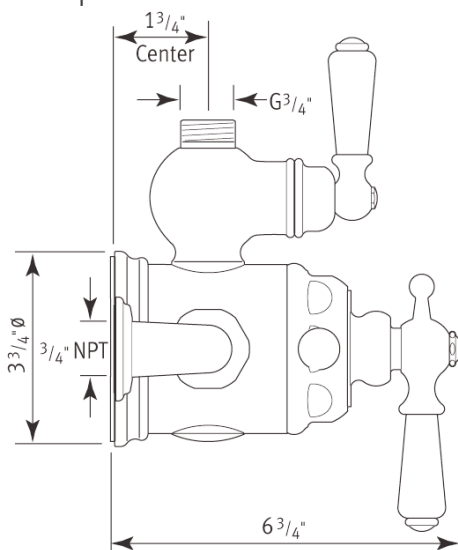
- Inlets 7 7/8" center-to-center
- Inlets 3/4" female NPT
- True 3/4" inlets and waterways for high output
- CNC machined from solid brass bar stock
- Exposed thermostatic valve
- Volume Control
- U.5398 secondary outlet adaptor required for bottom outlet tub spout connection
- Additional functions should go off top with U.5397
- 14-16 GPM
- Lever handle design
- Includes both porcelain and metal lever inserts

COLORS/FINISHES

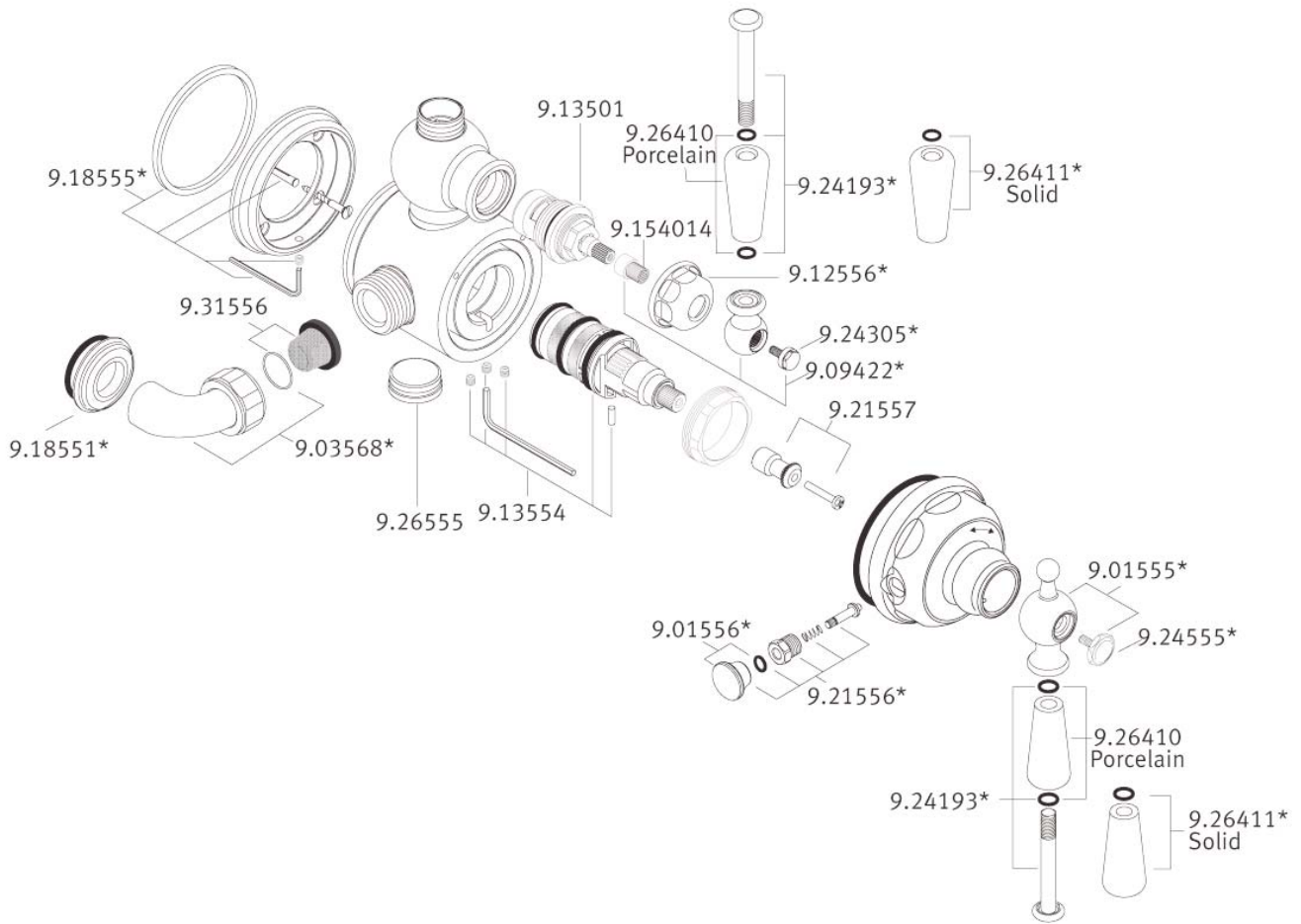
- Polished Chrome
- Polished Nickel
- Satin Nickel
- Inca Brass
- English Bronze

WARRANTY

- Limited Lifetime



U.5550L Spare Parts





U.5391 pictured

Rigid Riser Shower Outlets

ROHL Perrin & Rowe Bath

U.5381 (63" riser)

U.5391 (40" riser)

U.5393 (31" riser)

FEATURES

- For use with exposed therm mixers
- Direct connection to outlet of shower or tub/shower mixer
- Adjustable 8" stanchion
- Outlet 3/4" NPSM
- May be cut to length required

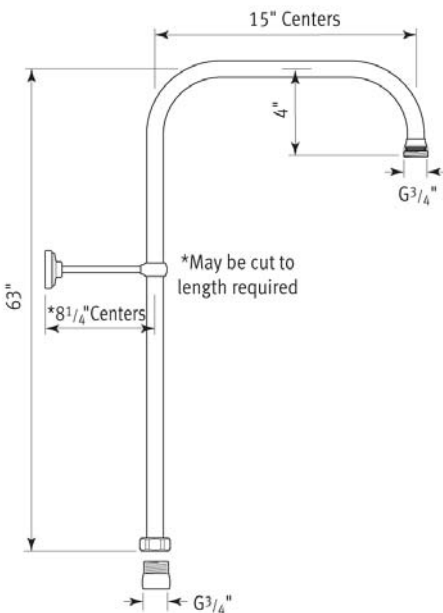
COLORS/FINISHES

- Polished Chrome
- Polished Nickel
- Satin Nickel
- Inca Brass
- English Bronze

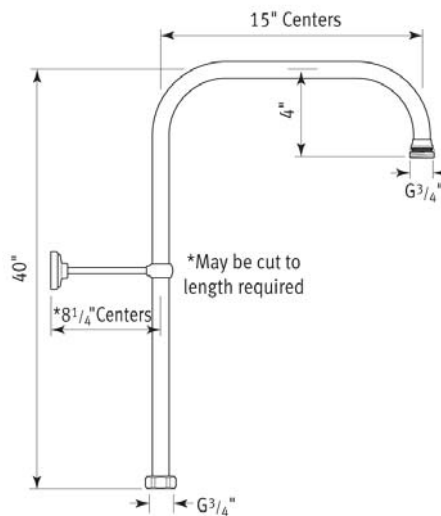
WARRANTY

- Limited Lifetime

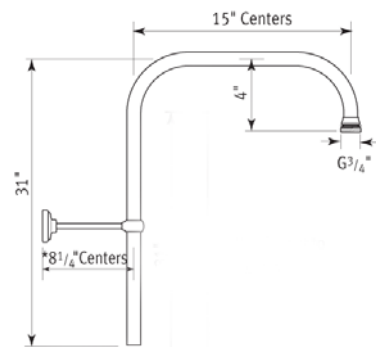
U.5381



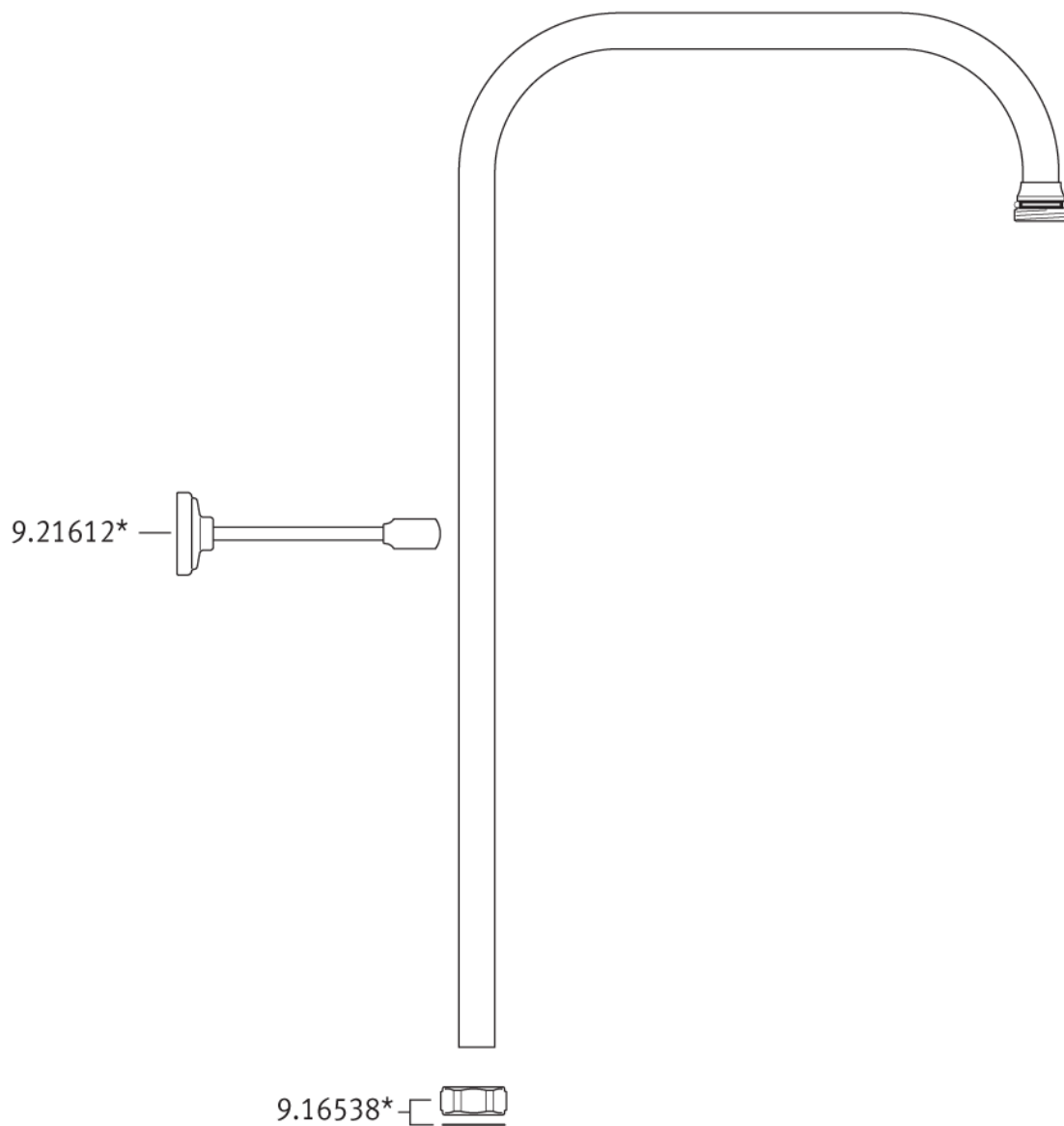
U.5391



U.5393



Riser Spare Parts





8" Showerhead

ROHL Perrin & Rowe® Bath

U.5205

FEATURES

- Large 8" diameter faceplate
- Single function rain spray pattern
- Body constructed of brass
- 3/4" NPSM connection

COLORS/FINISHES

- Polished Chrome
- Polished Nickel
- Satin Nickel
- Inca Brass
- English Bronze

WARRANTY

- Two years on manufacturer defects

