



## Ensemble™

60" x 30" ED Shower w/ Backer Boards  
72170116



### Features

- Modular design allows it to be moved around corners and through doorways with ease.
- Durable high gloss finish.
- Convenient shelves provide generous storage space.
- Shaving ledge/foot rest for added comfort.
- Curve wall design for a smooth look and feel.
- Wall surround includes backer boards for future grab bar installation.
- End drain makes it perfect for replacing an existing bath without moving the drain location.

### Material

- Compression molded from our exclusive Vikrell material.

### Installation

- Tongue-and-groove four piece modular design allows for easy snap together installation.
- Some caulk required for proper installation.

### Components

Product includes:

- 72232106 60" Back Wall w/Backer Boards
- 72171110 60" x 30" Shower Receptor
- 72175106 Shower End Wall Set w/Backer Board



### Codes/Standards

CSA B45.5/IAPMO Z124  
ASTM E162  
ASTM E662  
Greenguard UL 2818 - Gold  
HUD, UM Bulletin 73  
CARB P2



### STERLING® Warranty - Fixtures Made of Solid Vikrell Material

See website for detailed warranty information.

### Available Color/Finishes

*Color tiles intended for reference only.*

#### Color Code Description

|  |    |         |
|--|----|---------|
|  | 0  | White   |
|  | 96 | Biscuit |

USA/Canada: 1-800-STERLING (1-800-783-7546)

Kohler Co. reserves the right to make revisions without notice to product specifications.

For the most current Specification Sheet, go to [www.sterlingplumbing.com](http://www.sterlingplumbing.com).

6-13-2016 05:33

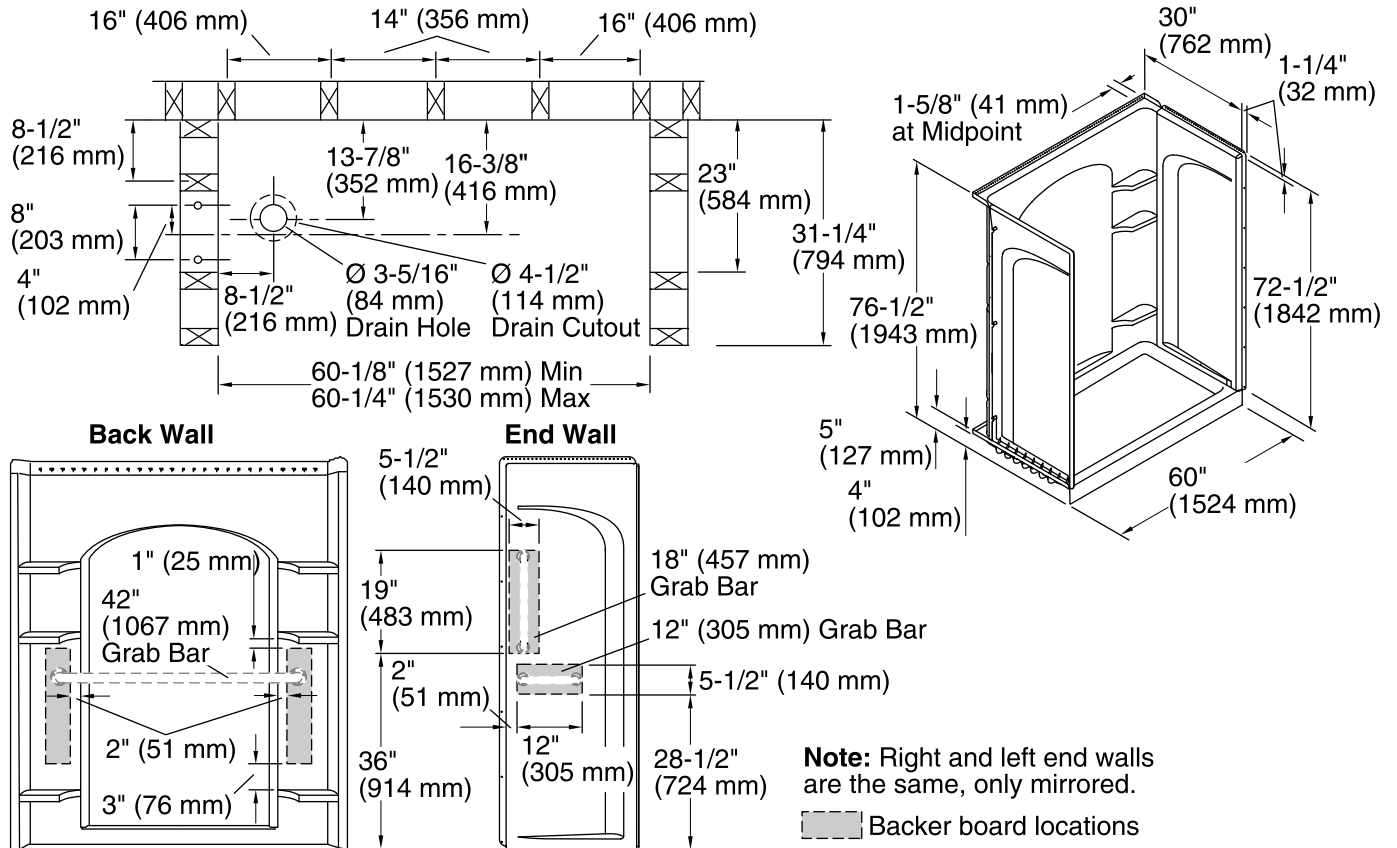
# STERLING

A KOHLER COMPANY

## Ensemble™

### 60" x 30" ED Shower w/ Backer Boards

### 72170116



#### Technical Information

All product dimensions are nominal.

Installation: 3-Wall Alcove

Drain location: Left

Door height required: 70-1/2" (1791 mm)

Door width required: 56-5/8" (1438 mm)

#### Notes

Install this product according to the installation instructions.

USA/Canada: 1-800-STERLING (1-800-783-7546)

Kohler Co. reserves the right to make revisions without notice to product specifications.

For the most current Specification Sheet, go to [www.sterlingplumbing.com](http://www.sterlingplumbing.com).

6-13-2016 05:33