



**Pivot Shower Doors**  
USA: 1-800-STERLING (1-800-783-7546)  
Mexico: 001-877-680-1310  
SterlingPlumbing.com

**WARNING: Risk of serious injury.** Damage prior to installation can result in glass shattering. Inspect the glass and all parts for damage before installation.

**WARNING: Risk of serious injury.** Improper installation can result in glass shattering. Follow all installation instructions.

**NOTICE:** Do not touch the edges of the tempered glass with tools or any other hard objects. Do not set the unframed tempered glass directly on the floor or any hard surface.

**WARNING: Risk of serious injury.** Do not cut tempered glass. Tempered glass will shatter if cut.

**WARNING: Risk of serious injury.** Shower door and side panels can shatter. Regularly inspect the glass and all parts for damage, missing, or loose parts.

**WARNING: Risk of serious injury.** Always wear safety glasses while cutting and drilling.

**IMPORTANT:** Do not cut the top track the same length as the bottom track.

**IMPORTANT:** Leave this manual for the end user.

Read these instructions before installing or using this product.

When cutting the header, only cut on the strike side of the header.

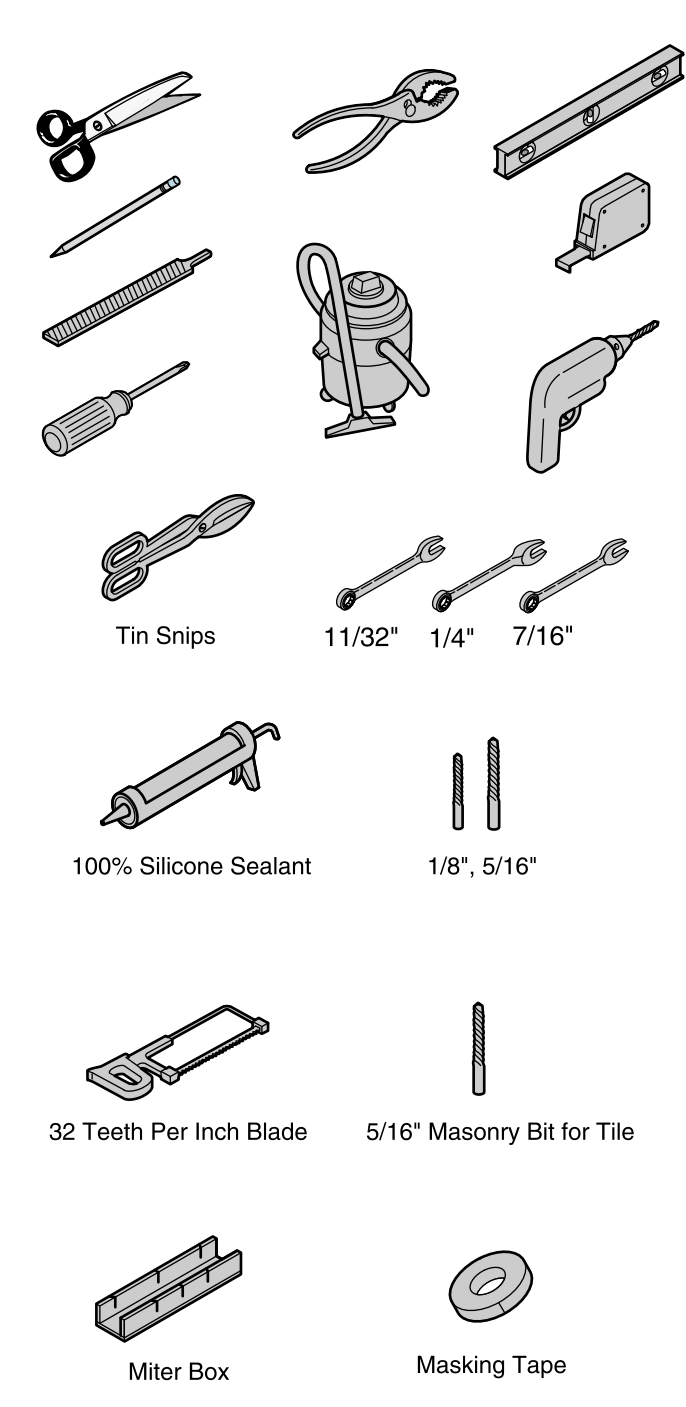
Walls must be within 3/8" (10 mm) of plumb.

Cover drain with tape to avoid loss of small parts.

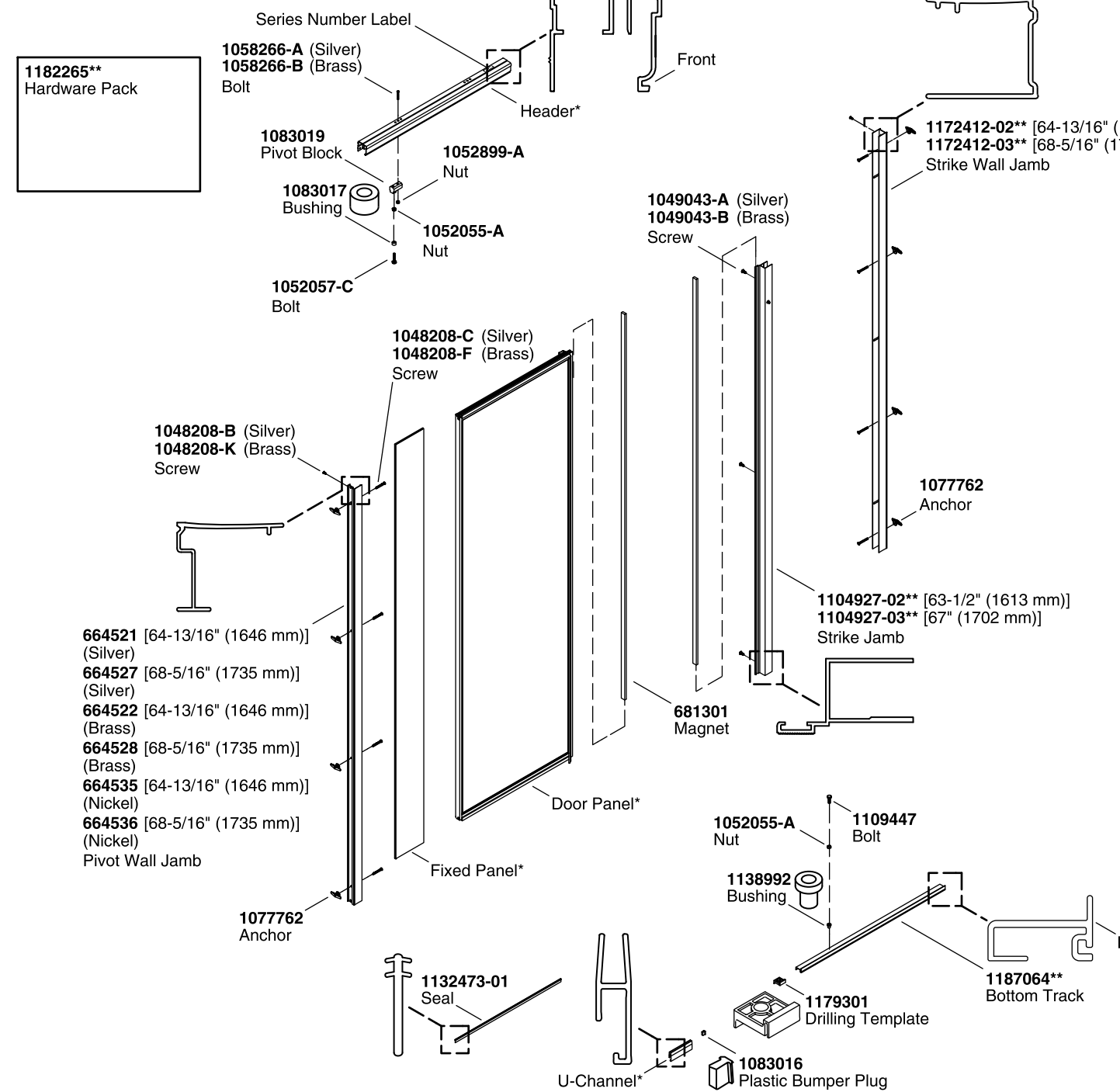
Follow the silicone sealant manufacturer's instructions for application and curing time.

Installation video available at SterlingPlumbing.com.

**Required Tools**

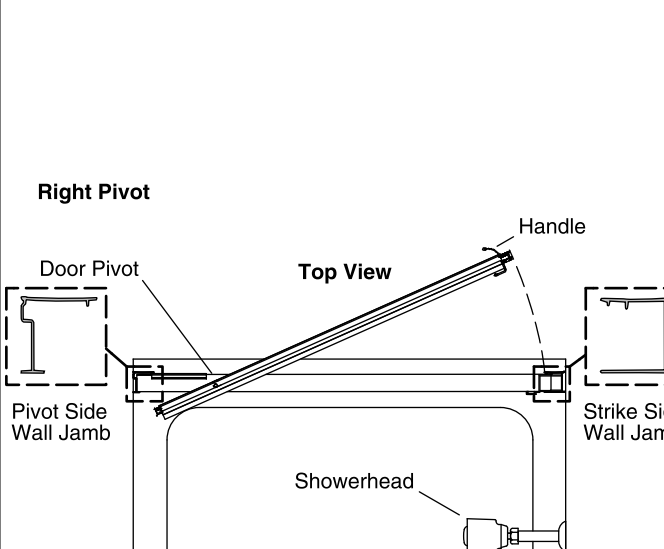


**Parts Identification**

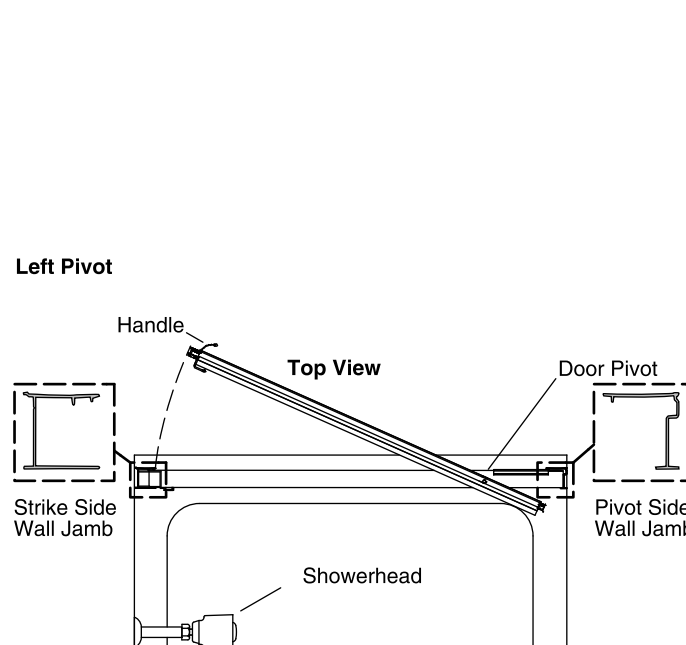


\*Call Customer Care Center to order replacement parts.  
\*\*Finish/color code must be specified when ordering.  
Retain this document for future servicing.  
Record model number from box for reference.  
Model Number: \_\_\_\_\_

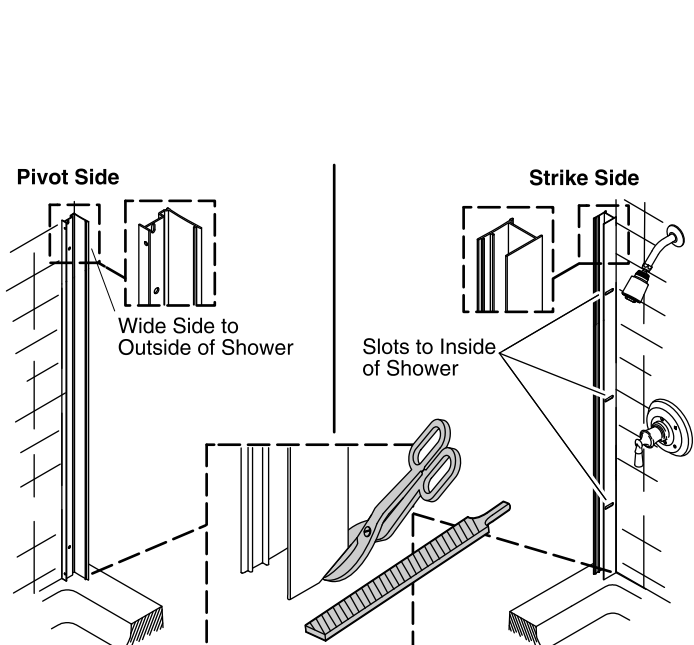
**1** Determine which side of the door will open. The handle installs on the strike side and the door pivot installs opposite the showerhead.  
**Important:** A right side pivot is shown throughout the instructions. Adjust your installation as needed for left side pivot installations.



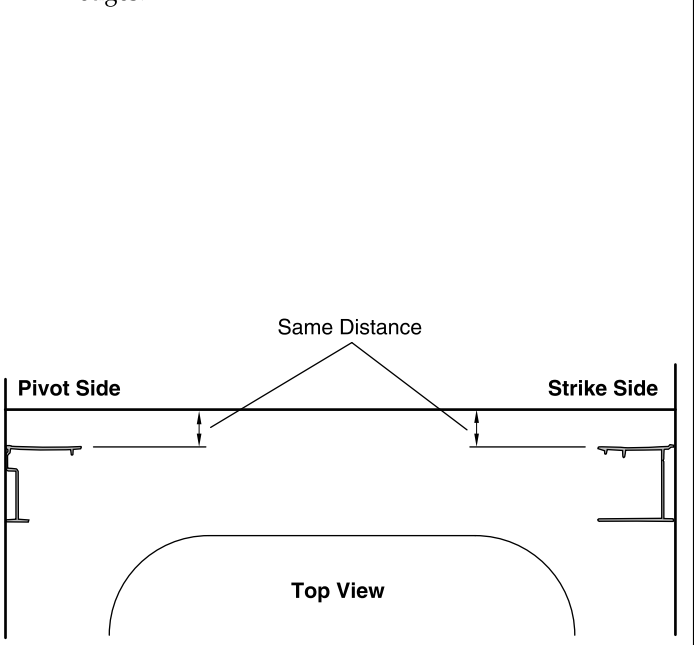
**2** Check the wall jamba fit. When needed, snip and file the bottom edges of the wall jamba for a snug fit.



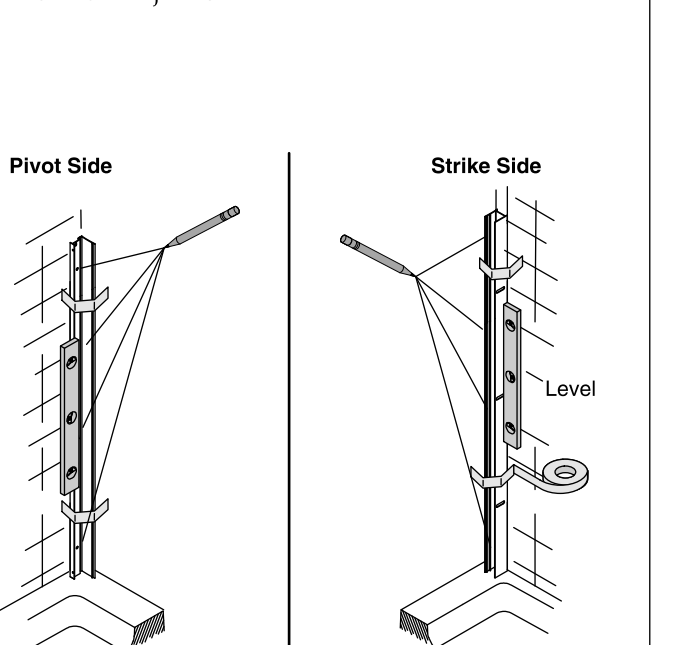
**3** Position the wall jamba on the center of the ledge, positioned the same distance from the front and back edges.



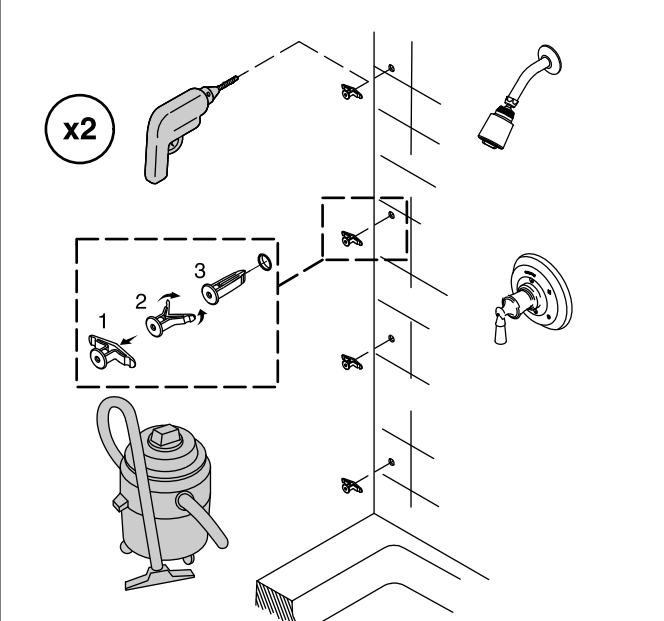
**4** Using a level, plumb both wall jamba. Secure with masking tape. Mark the screw holes and the front edge of the wall jamba.



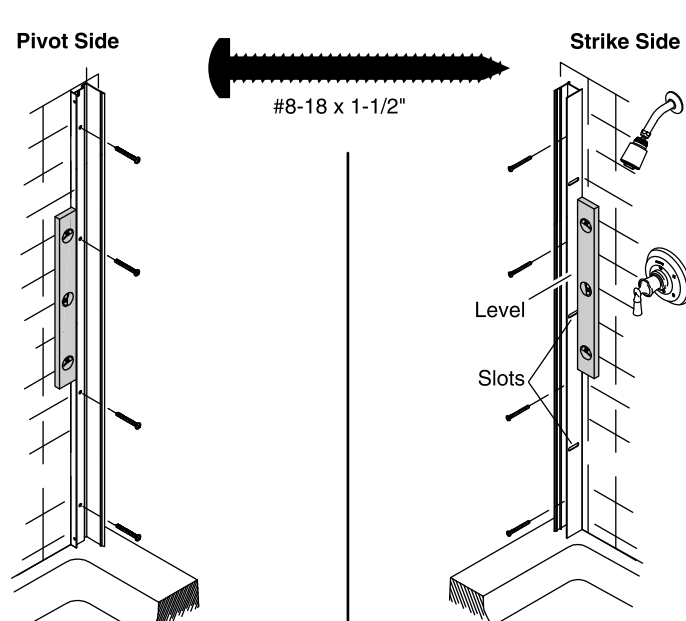
**5** Remove the wall jamba. Drill 5/16" holes and insert the anchors on both shower walls. For tile, use a 5/16" masonry bit. Anchors will work in wall studs.



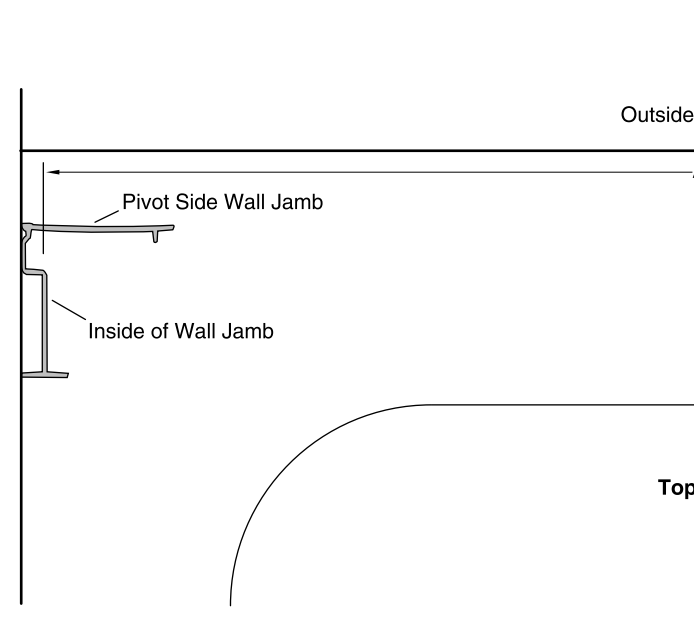
**6** Realign and plumb both wall jamba. Secure with screws.



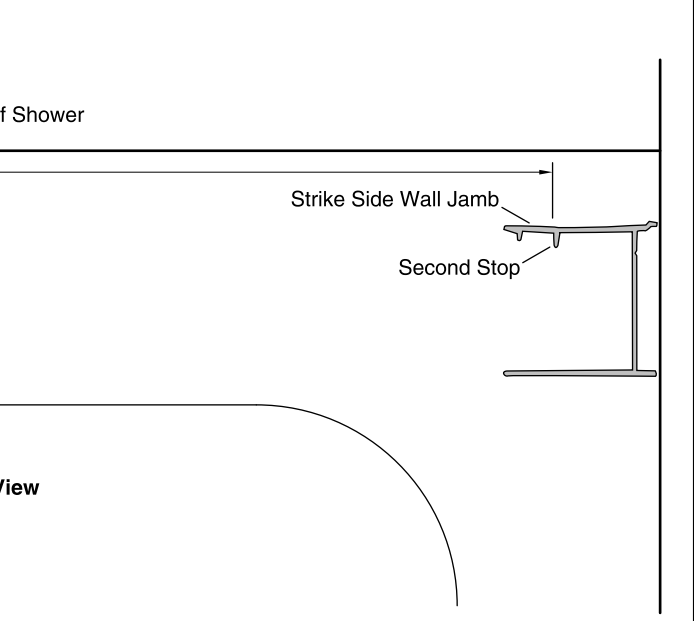
**7** At the bottom ledge, measure from the second stop on the inside of the strike wall jamba to the inside of the pivot wall jamba (Dimension "A").



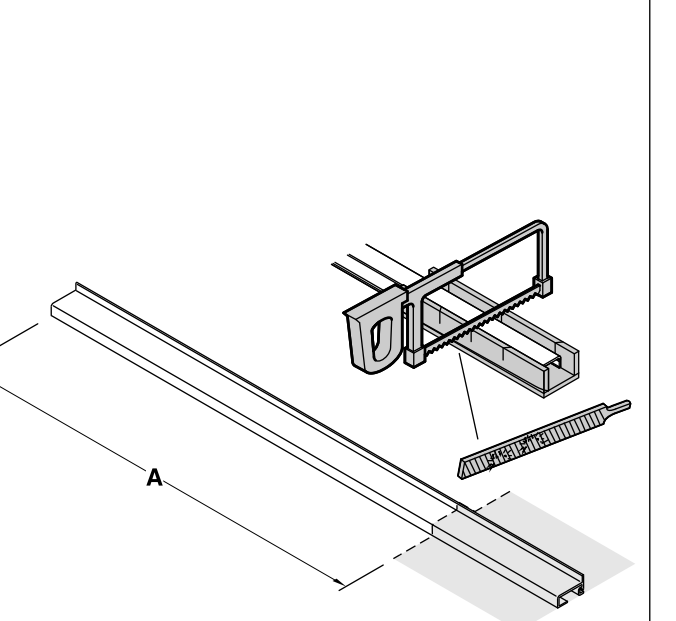
**8** Cut the bottom track to dimension "A." Smooth the cut edge with a file.



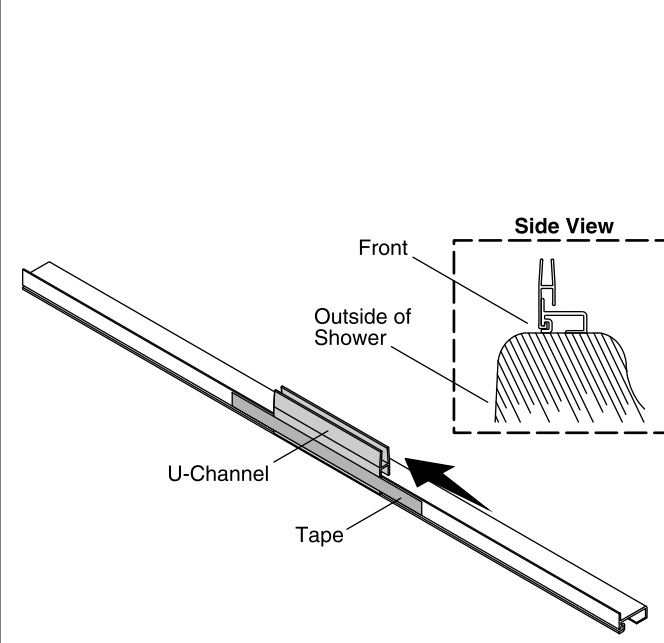
**9** Install the U-channel to the center of the bottom track. Secure with tape.



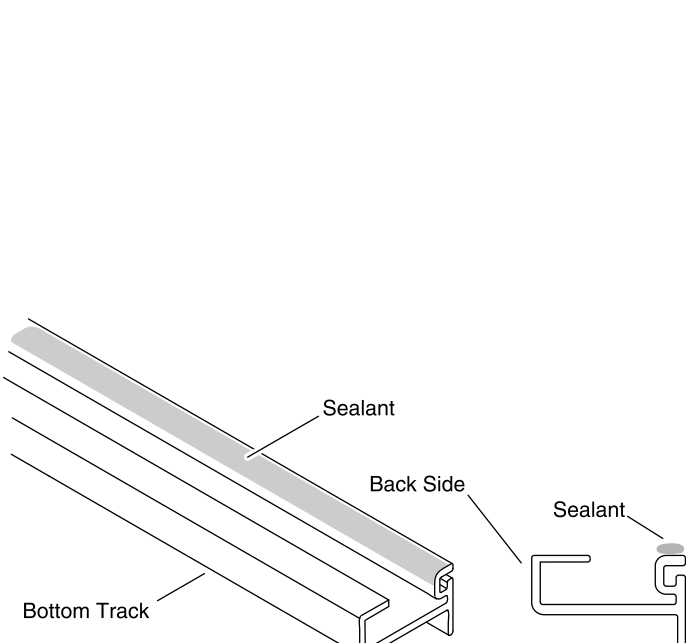
**10** Apply sealant to the underside of the bottom track.



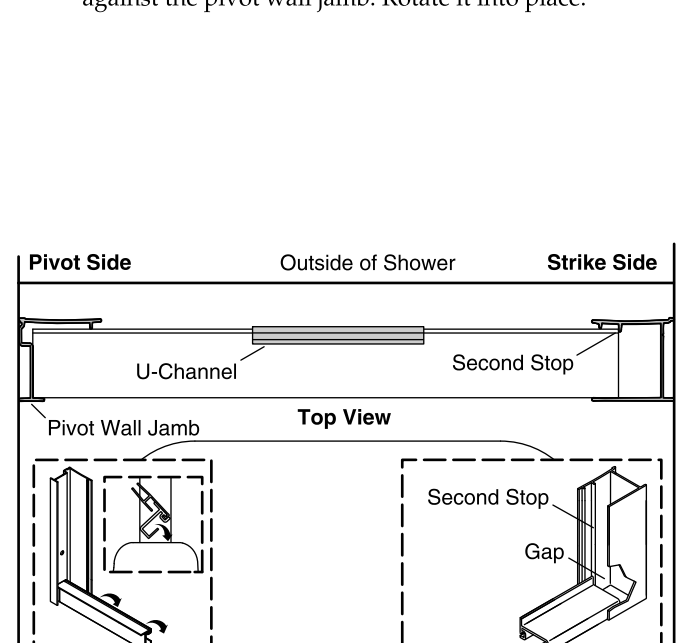
**11** On the ledge, position the bottom track back side down against the second stop on the strike wall jamba and against the pivot wall jamba. Rotate it into place.



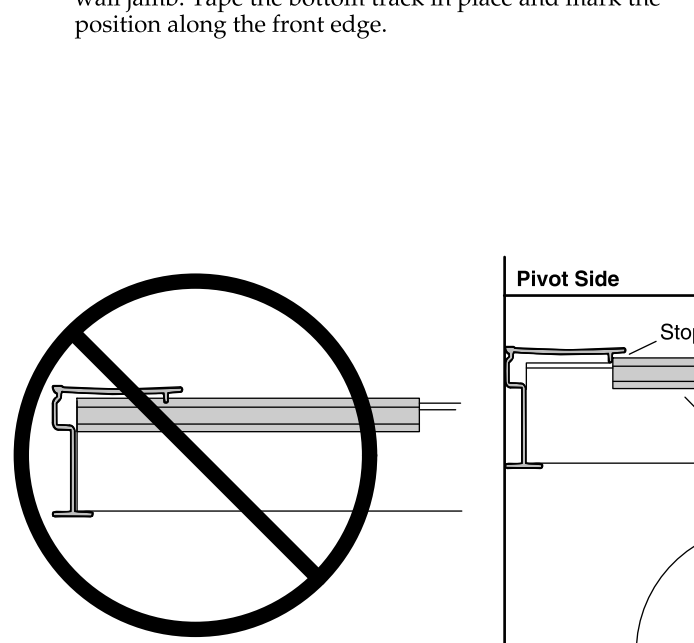
**12** Remove the tape. Slide the U-channel tight against the stop. Do not slide the U-channel against the pivot side wall jamba. Tape the bottom track in place and mark the position along the front edge.



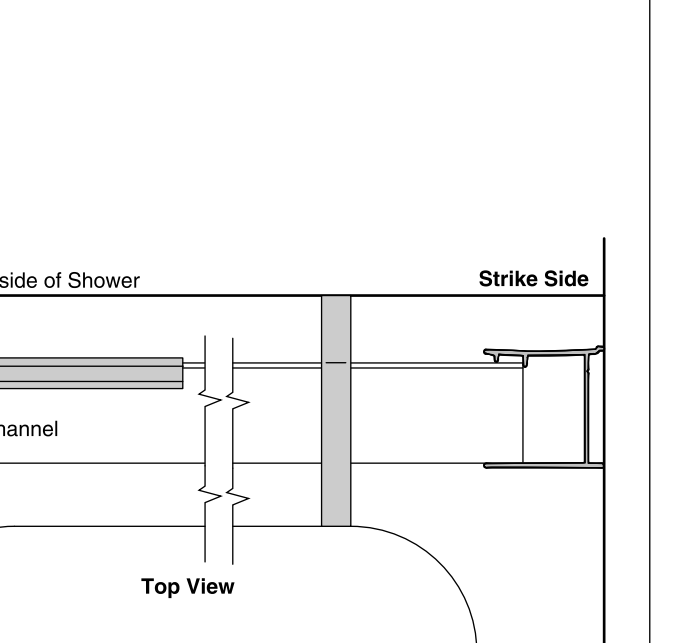
**13** Apply silicone sealant where the pivot and strike jamba meet the bottom track.



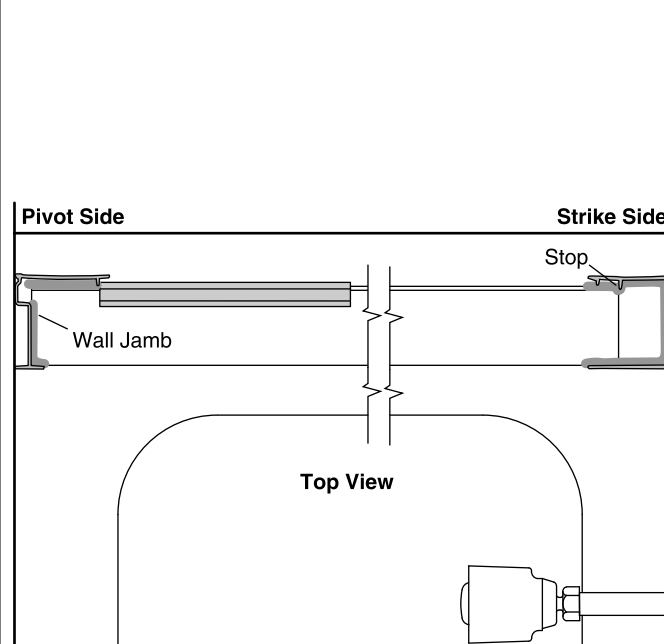
**14** Position the drilling template over the tall leg on the bottom track and up against the U-channel as shown. Drill the 5/16" hole while holding the template in position. Discard the template.



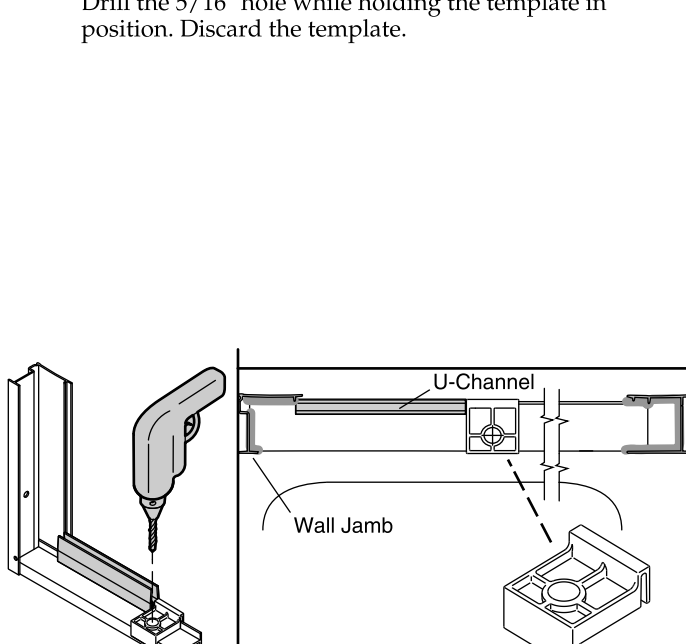
**15** Label the pivot side and strike side of the header. Measure the opening above the wall jamba. Start measurements from the pivot side. Mark and cut dimension "B" on the strike side of the header.



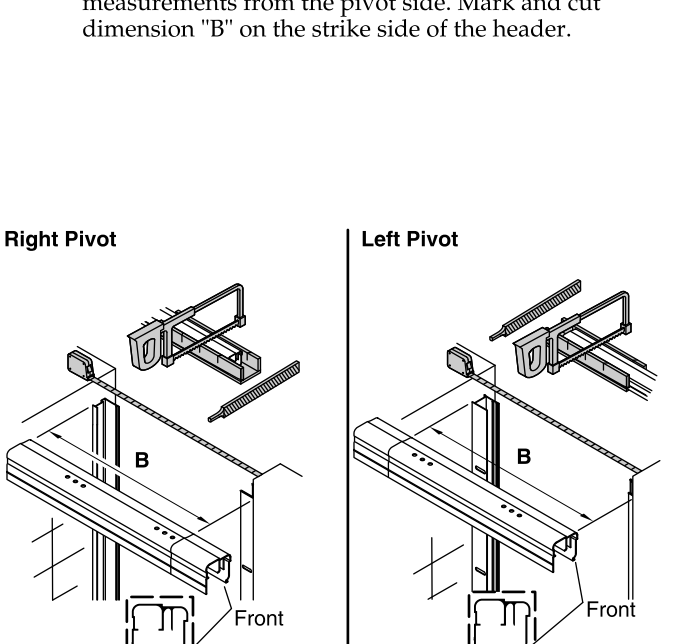
**16** Insert the pivot block into the header from the pivot side. The pivot block must install as shown below.



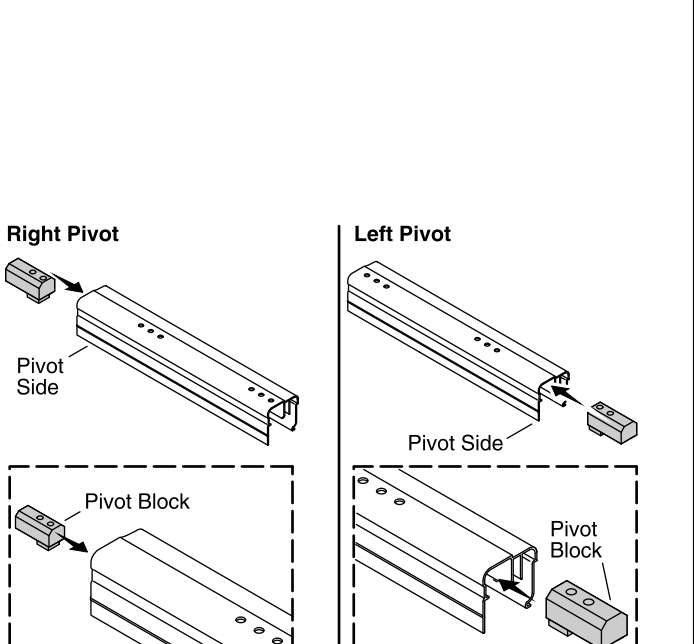
**17** Position the header over the wall jamba. On the inside of the shower, secure the pivot side of the header with the screw.



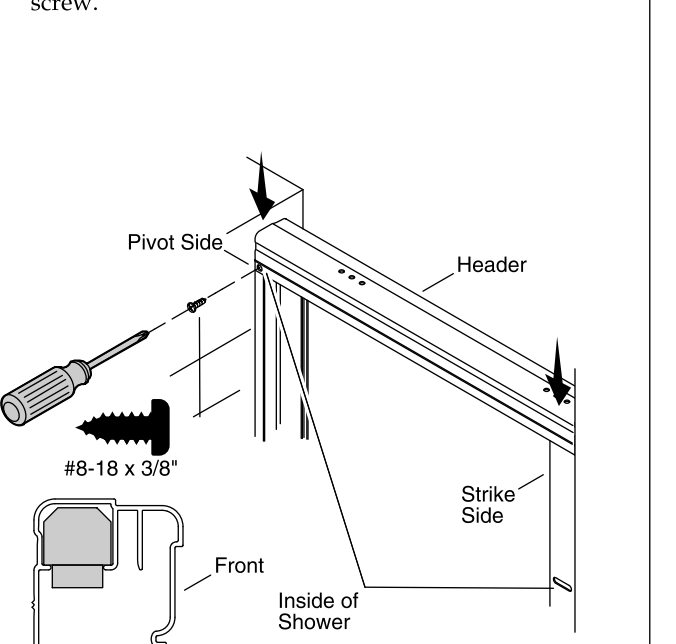
**18** Right Pivot / Left Pivot diagrams showing the final assembly steps for both configurations.



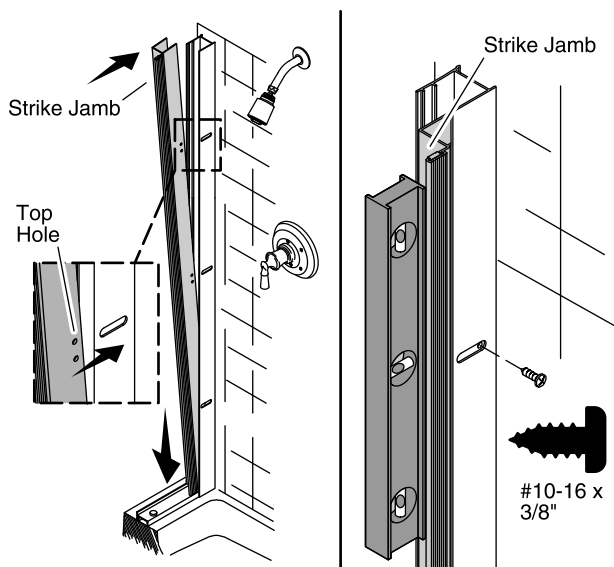
**19** Right Pivot / Left Pivot diagrams showing the final assembly steps for both configurations.



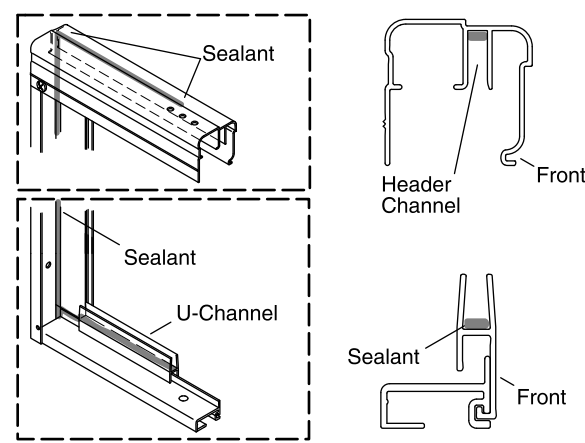
**20** Position the header over the wall jamba. On the inside of the shower, secure the pivot side of the header with the screw.



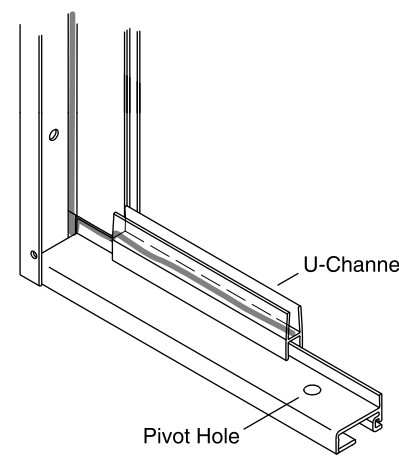
**18** Install the strike jamb. Align the top holes in the strike jamb with the slots. Level the strike jamb and loosely tighten the three screws.



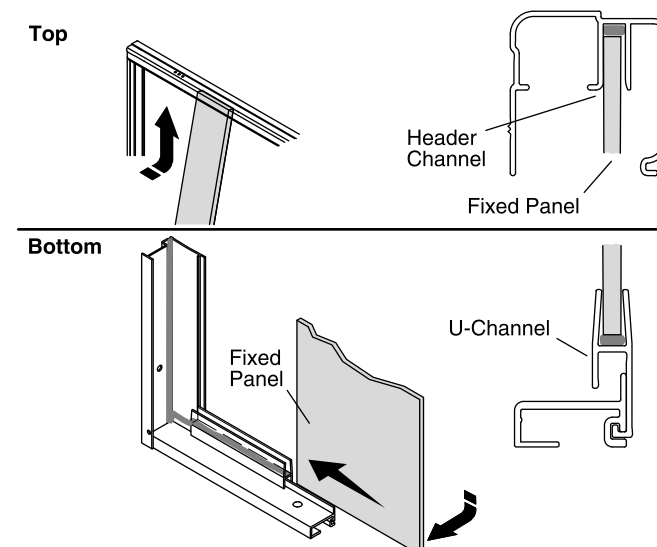
**19** Apply sealant to the entire length of the groove in the pivot jamb and the entire length of the U-channel. Apply sealant in the header channel only where the fixed panel inserts.



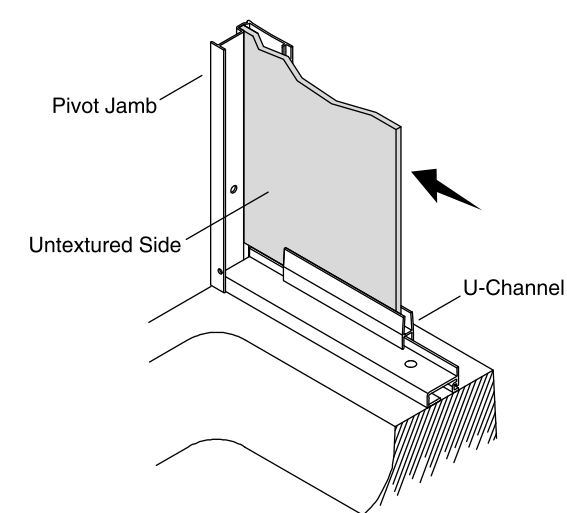
**20** Confirm the pivot side hole has been drilled in the bottom track. If the hole has not been drilled, perform step 14 now.



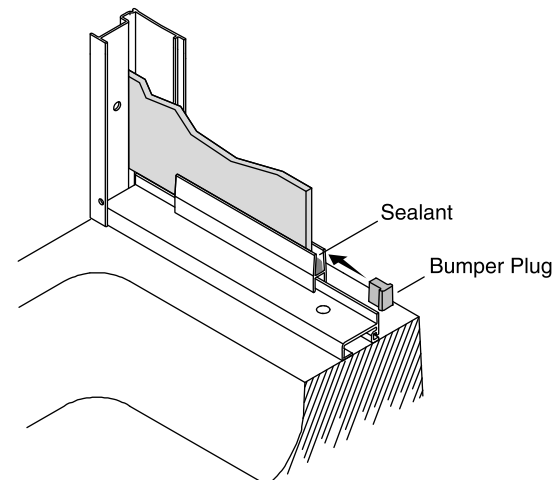
**21** Insert the fixed panel into the header channel and the U-channel. If textured, install the texture facing the outside of the shower.



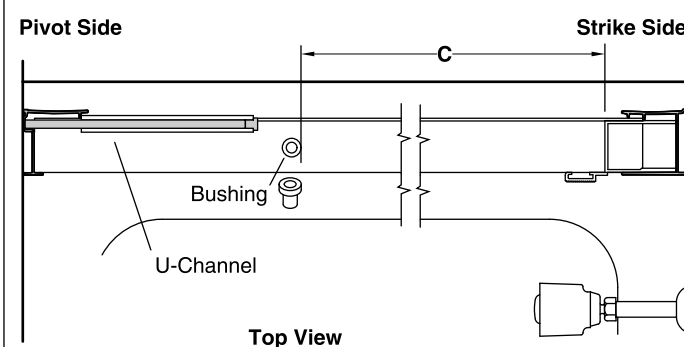
**22** Slide the fixed panel into the pivot jamb. The edge of the panel will not be flush with the end of the U-channel



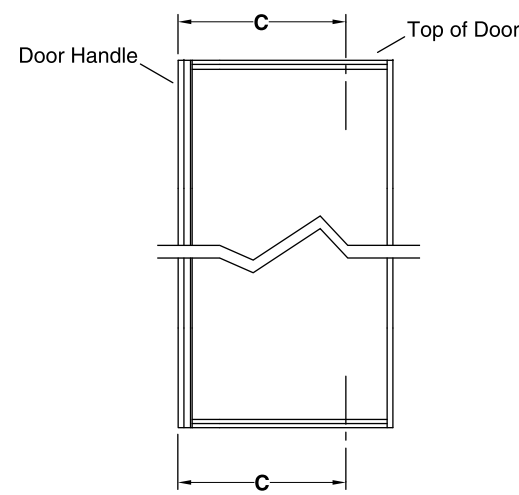
**23** Place a small amount of sealant into the U-channel and insert the bumper plug.



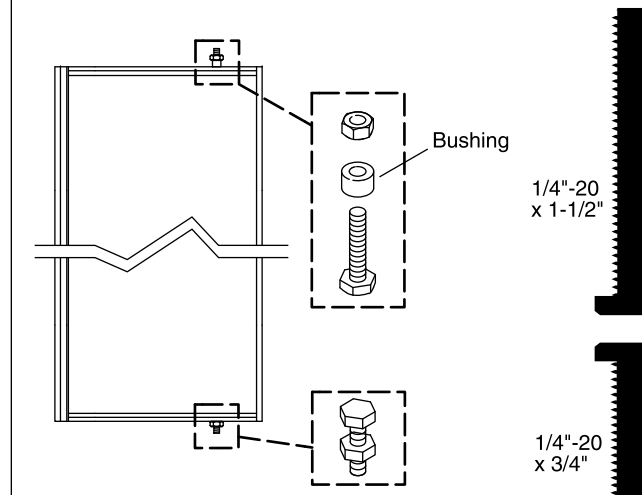
**24** On the bottom track insert the bushing into the hole on the pivot side. Measure dimension "C" from the base of the strike jamb to the edge of the bushing.



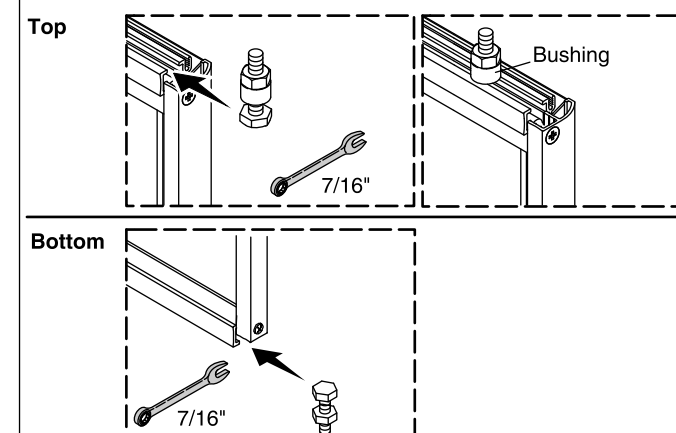
**25** Starting from the handle, transfer and mark dimension "C" along the top and bottom of the door panel.



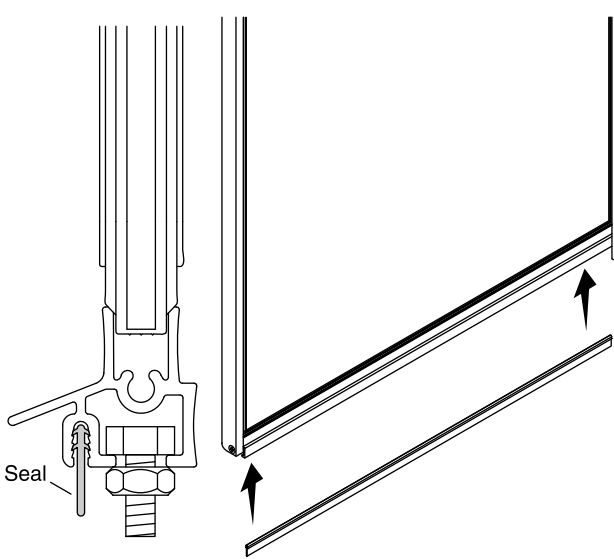
**26** Assemble the bushing and nut on the 1-1/2" bolt. Partially thread a nut onto the 3/4" bolt.



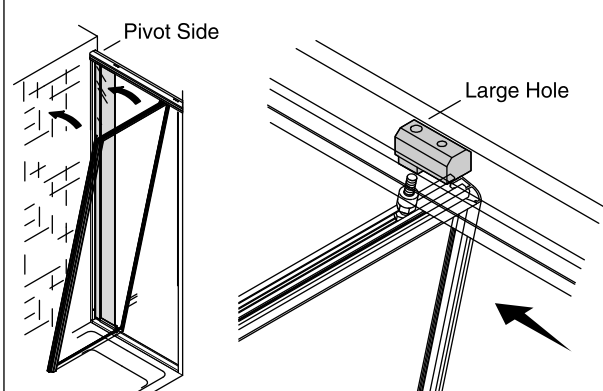
**27** On the top and bottom of the door panel opposite the handle, insert the bolt heads into the door channels. Center and tighten the pivot bolts at dimension "C."



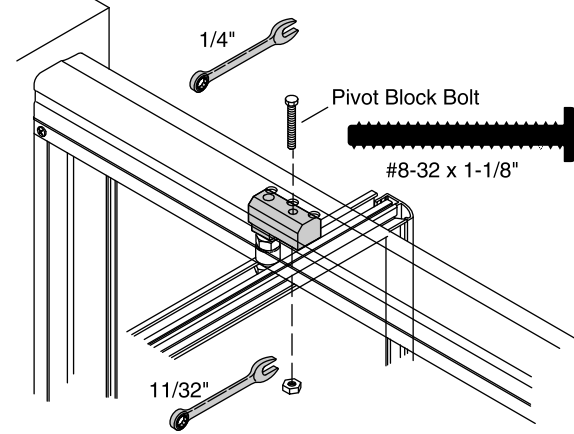
**28** Press the seal into the bottom of the door frame.



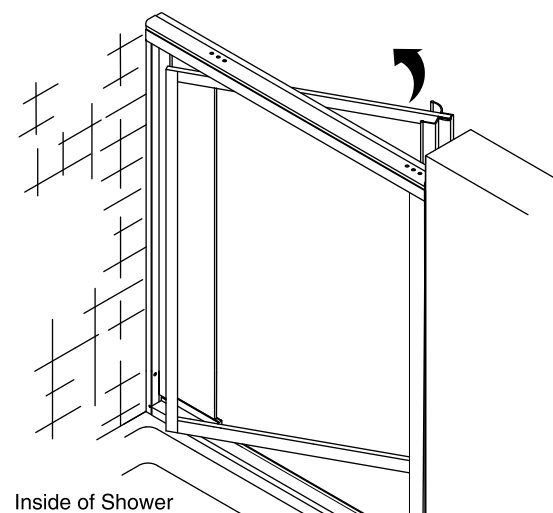
**29** Insert the bottom door bolt into the bushing on bottom track. Insert the top door bolt into the large hole in the pivot block. If needed, lift the header slightly. Close the door and adjust the door panel for a consistent gap between the door handle and the strike jamb.



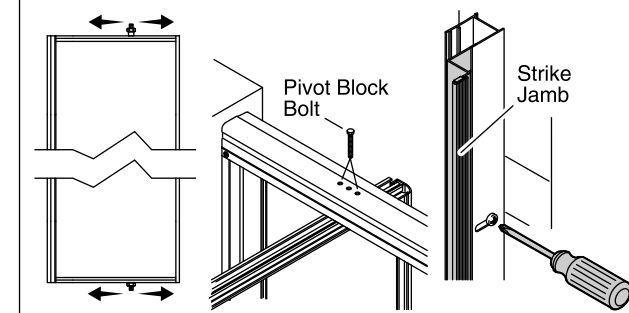
**30** Insert the 1-1/8" pivot block bolt through the center hole in the header and into the small hole in the pivot block. Insert and tighten the lock nut onto the pivot block bolt.



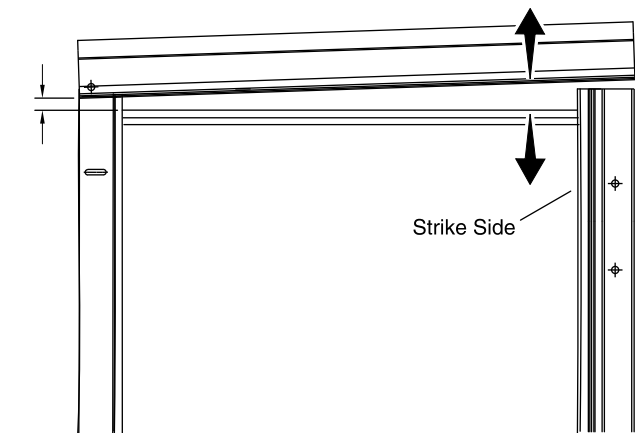
**31** Check for smooth operation. Binding or catching against the bottom track will damage the seal. Adjust if needed.



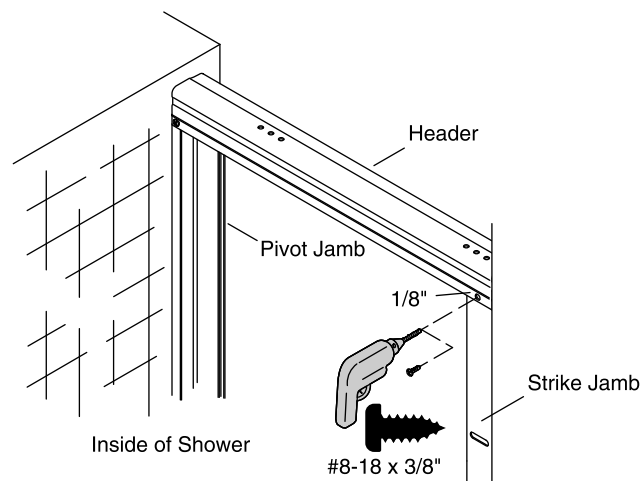
**32** To adjust the door panel alignment, either reposition the top and bottom pivot bolts or shift the pivot block bolt to either side of the center hole. Adjust the strike jamb alignment and tighten the screws.



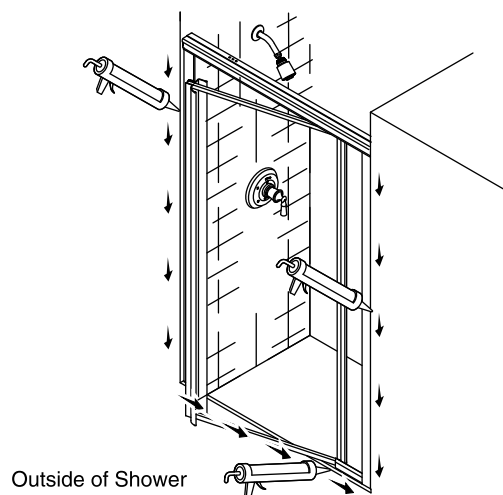
**33** Check the gap between the header and the door. If the gap is uneven, adjust the header up or down on the strike side until the gap is even.



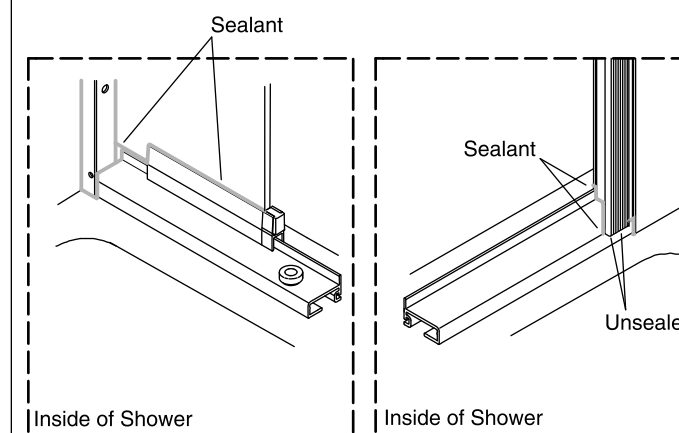
**34** With the header in the final position, drill a 1/8" hole on the inside of the shower. Secure the header to the strike jamb with the screw.



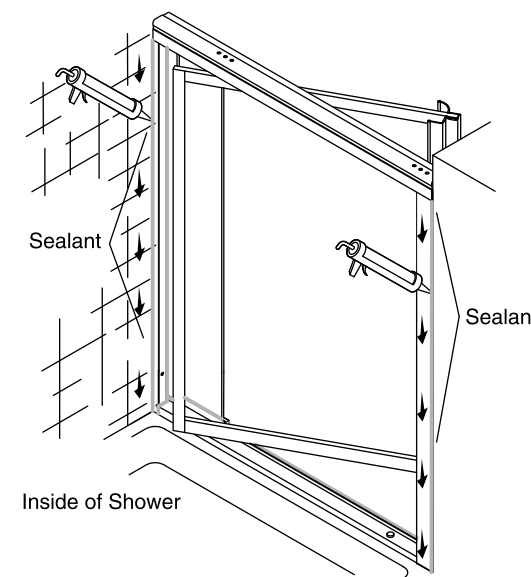
**35** On the outside of the shower, apply sealant where the strike jamb and pivot jamb meet the wall and where the bottom track meets the receptor ledge.



**36** On the inside of the shower, apply sealant where the fixed panel and the pivot jamb edges meet and between the strike jamb and the bottom track only where shown below.



**37** On the inside of the shower, apply sealant where the wall jambs meet the wall.



**TROUBLESHOOTING**

Symptom: Installation	Recommended Action
1. The pivot bolts do not slide into the door channels.	A. Loosen the nearest door panel screw. Pull the door panel frame away from the glass far enough to allow the bolt head to pass through. Retighten the screw.
2. Fitting the top bolt into the pivot block is difficult.	A. Remove the strike side header screw. Lift the header slightly. Insert the top bolt.
3. If the bottom track pivot hole is drilled in the wrong location.	A. Repeat steps 9 and 10. Fill the incorrectly positioned hole with silicone sealant.
Symptom: Door Functionality	Recommended Action
1. The door contacts the bottom track.	A. Adjust the door panel to increase the gap between the door panel and the bottom track. Adjust the bottom pivot pin and tighten securely. See steps 20, 21, 22, 23, and 24.
2. Opening or shutting the door panel is difficult.	A. Adjust the door panel to increase the gap between the door panel and the strike jamb. See steps 20, 21, 22, 23, and 24. B. Adjust the strike jamb so the door panel makes contact with the strike jamb magnet. See steps 20, 21, 22, 23, and 24. C. Trim the ends of the seal to be flush with the door.
Symptom: Water Leaks	Recommended Action
1. Water leaks under the fixed glass panel.	A. From the outside the shower, apply silicone sealant where the fixed glass panel meets the U-channel.
2. Water leaks between fixed glass and wall jamb.	A. From the outside the shower, apply silicone sealant where the fixed glass panel frame meets the wall jamb.
3. Water leaks under the door panel.	A. Verify the seal is in place. See step 21.
4. Water leaks past the strike jamb.	A. Adjust the door to decrease the gap between the door panel and the strike jamb. See steps 21, 22, 23, and 24. B. Adjust the strike jamb so the door panel makes contact with the strike jamb magnet seal. See steps 21, 22, 23, and 24.

**WARRANTY**

**5 YEARS LIMITED**  
SP2375, 5100 Series, 5300 Series, 5400 Series, 6300 Series, 6500 Series

**3 YEARS LIMITED**  
1500 Series, 1900 Series, 2200 Series, 4600 Series, 4700 Series, 4800 Series, 4900 Series, 5900 Series

**1 YEAR LIMITED**  
500 Series, 600 Series, 660 Series, 670 Series, 690 Series, 950 Series, 2300 Series, 3100 Series

Based on the classification specified above, STERLING bath and shower doors are warranted to be free of manufacturing defects within the time of the specified model's limited warranty from date of sale.

Kohler Co. will, at its election, repair, rectify or replace a fixture when inspection by Kohler Co. discloses any such defects occurring in normal usage within the time period of coverage stated above. Kohler Co. is not responsible for removal or installation costs where replacement is indicated. Damages due to improper handling, installation or maintenance are not considered manufacturing defects and are not covered by this warranty. This warranty is valid for the original, consumer purchaser only.

To obtain warranty service, contact Sterling, either through your plumbing contractor, home center, wholesaler or dealer, or by calling or writing Sterling, Consumer Services, 444 Highland Drive, Kohler, Wisconsin 53044, 1-800-783-7546.

**TO THE EXTENT PERMITTED BY LAW, ALL IMPLIED WARRANTIES INCLUDING THOSE OF MERCHANTABILITY AND FITNESS FOR A PARTICULAR PURPOSE ARE HEREBY DISCLAIMED. KOHLER CO. AND SELLER HEREBY DISCLAIM ANY LIABILITY FOR SPECIAL, INCIDENTAL, OR CONSEQUENTIAL DAMAGES.** Some states/provinces do not allow limitations on how long an implied warranty lasts, or the exclusion or limitation of special, incidental or consequential damages, so these limitations and exclusions may not apply to you. This warranty gives you specific legal rights. You may have other rights which vary from state/province to state/province.

**This is the exclusive written warranty for Kohler Co.**