

Features

- Framed, 1/8" (3 mm) thick tempered glass door and 3/16" (5 mm) thick tempered glass in-line panel.
- Pivot bushings provide smooth, silent operation.
- Full-length magnetic door latch provides secure door closure.
- Threshold conveniently directs water back into shower.
- Full-length handle for easy operation.

Material

- Anodized aluminum prevents rusting or corrosion.
- Tempered glass ensures maximum safety and durability.

Installation

- Out-of-plumb adjustability allows for simpler installation.
- Can be installed to open to the left or right.

Components

Additional included component/s: Hardware kit.



Codes/Standards



ANSI Z97.1 (Tempered Glass)
CPSC 16CFR 1201

STERLING® Warranty - Bath and Shower Doors

See website for detailed warranty information.

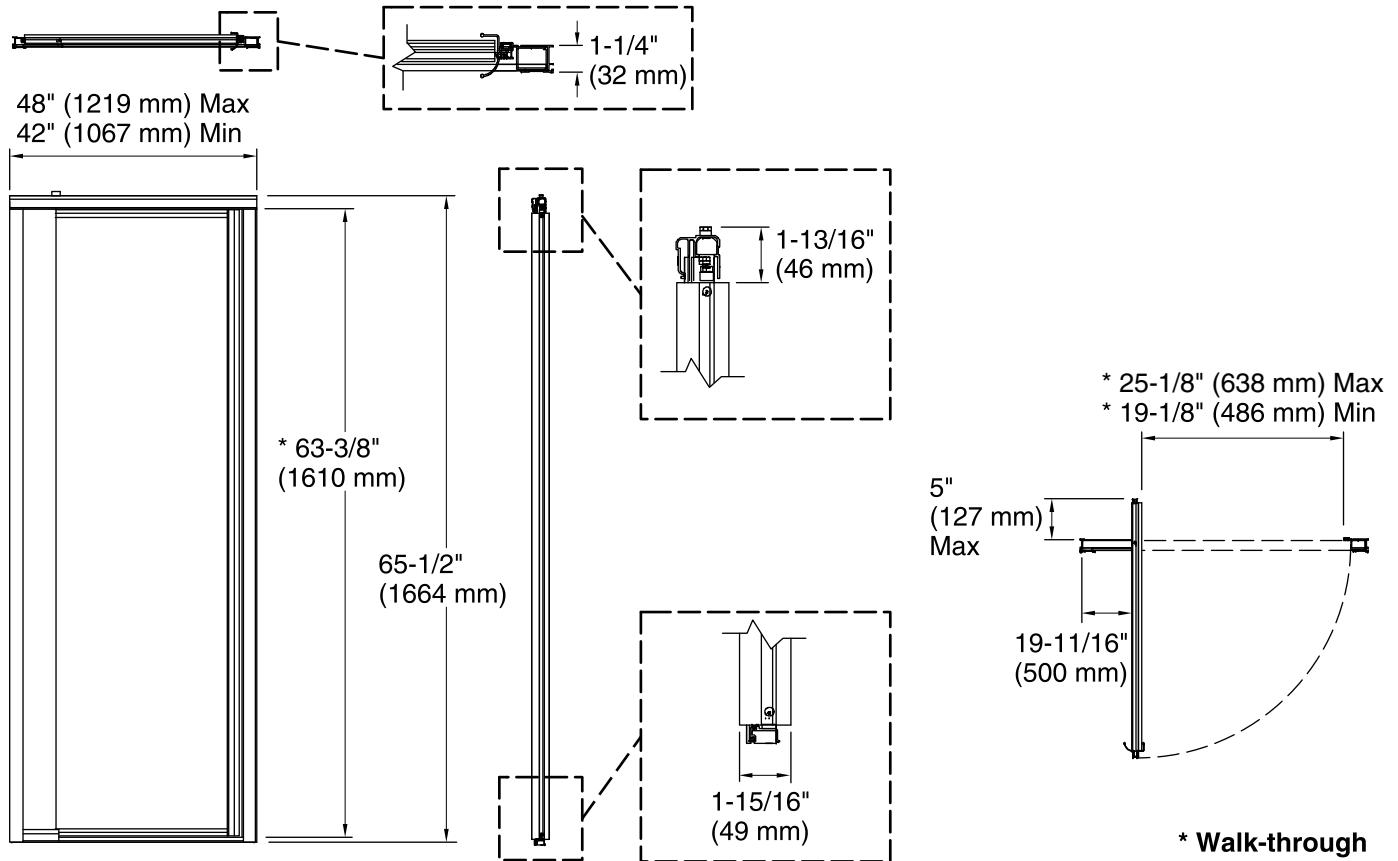
Available Color/Finishes

Color tiles intended for reference only.

| Color | Code | Description |
|--|------|-------------|
| | DR | Deep Bronze |
| | N | Nickel |
| | N | Nickel |
| | N | Nickel |
| | N | Nickel |
|  | S | Silver |
|  | S | Silver |

Available Glass Options

| Code | Description |
|------|-------------|
| | Brownstone™ |
| | Clear |
| | Pebbled |
| | Rain |
| | Tangle™ |



Technical Information

All product dimensions are nominal.
 Installation type: For shower base installation
 Opening Width - Min: 42" (1067 mm)
 Opening Width - Max: 48" (1219 mm)
 Walk-through - Min: 19-1/8" (486 mm)
 Walk-through - Max: 25-1/8" (638 mm)
 Glass thickness: 1/8" (3 mm)

Notes

Install this product according to the installation guide.
 The vertical opening should be a minimum of 67" (1702 mm) to allow for installation clearance.