

Features

- Contemporary, round handle completes the clean look of this door.
- CleanCoat® technology creates a barrier between the water and glass to help keep your shower door looking new.
- Frameless, 5/16" (8 mm) thick tempered glass door.
- Frameless design emphasizes glass and creates a sleek, minimalist look.
- Smooth, easy-to-clean wall jambs.

Material

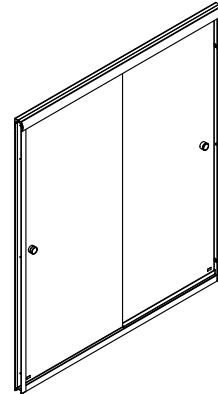
- Anodized aluminum hardware prevents rusting or corrosion.

Installation

- Out-of-plumb adjustability allows for simpler installation.
-
-
- Can be installed to open to the left or right.

Components

Additional included component/s: Hardware kit.



Codes/Standards

ANSI Z97.1 (Tempered Glass)
CPSC 16CFR 1201

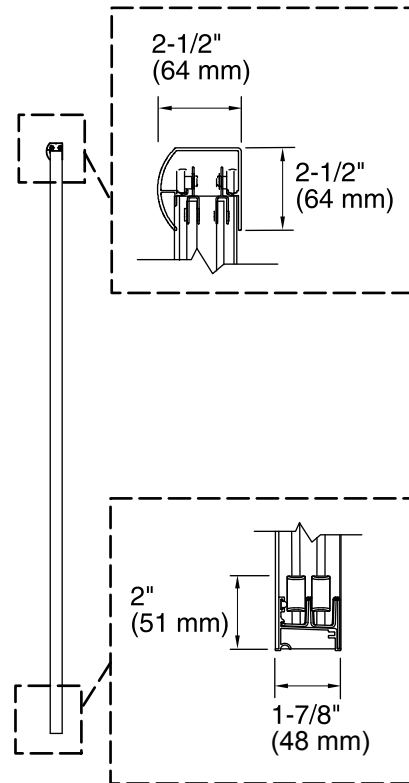
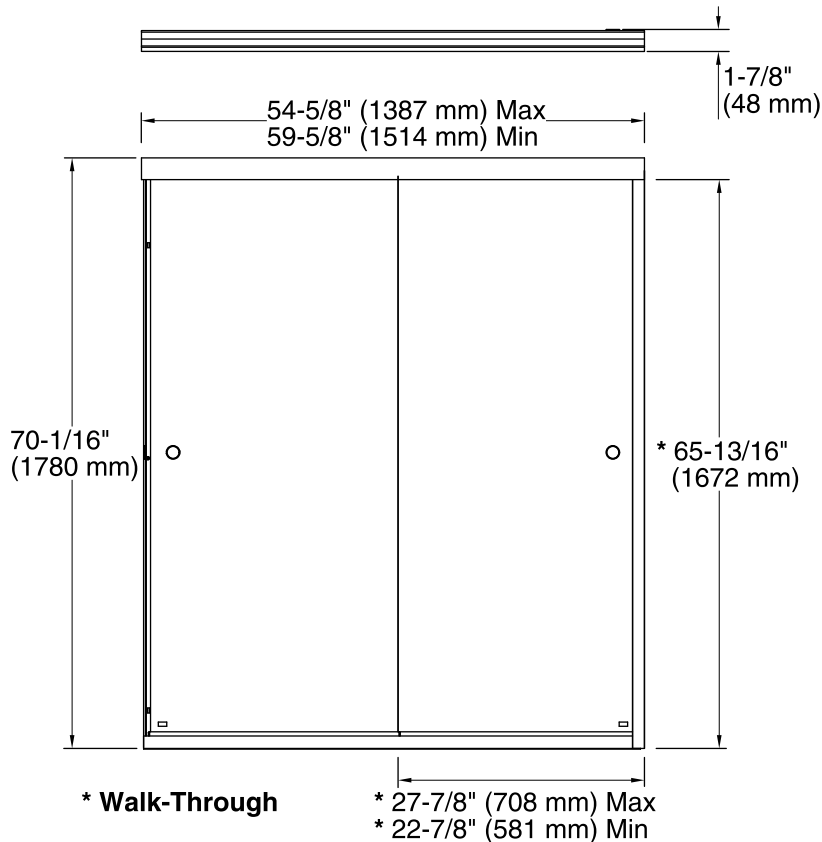
STERLING® Warranty - Bath and Shower Doors

See website for detailed warranty information.

Available Color/Finishes

Color tiles intended for reference only.

Color	Code	Description
	S	Polished Stainless
	S	Polished Stainless



Technical Information

All product dimensions are nominal.

Installation type: For shower base installation

Opening style: Sliding/Bypass

Opening Width - Min: 54-5/8" (1387 mm)

Opening Width - Max: 59-5/8" (1514 mm)

Walk-through - Min: 22-7/8" (581 mm)

Walk-through - Max: 27-7/8" (708 mm)

Glass thickness: 1/4" (6 mm)

Notes

Install this product according to the installation guide.

NOTICE: The vertical opening should be a minimum of 71-5/8" (1819 mm) to allow clearance for installing the top track over the wall jamb.