



# Ensemble™

## 60" Whirlpool Bath

### 76101120



### Features

- Right drain.
- Integral apron with removable access panel.
- Durable high-gloss finish.
- 16" (406 mm) bath whirlpool depth (floor to top of threshold).
- 60-1/4" (1530 mm) x 37-1/2" (953 mm) x 20" (508 mm) unit rough-in dimensions include flange.
- 60" (1524 mm) x 36" (914 mm) x 19" (483 mm) complete unit finished dimensions.

### Material

- Compression-molded from our exclusive solid Vikrell® material.

### Hydrotherapy

- Six fully-adjustable hydro-massage jets (color-matched and factory-installed).
- Pump with air switch and grounding-type plug-in cord.



### ADA

### Codes/Standards

ASME A112.19.7/CSA B45.10  
CSA B45.5/IAPMO Z124  
ASTM E162  
ASTM E662  
UL 1795  
Greenguard UL 2818 - Gold  
ADA  
ICC/ANSI A117.1  
CARB P2

### STERLING® Warranty - Fixtures Made of Solid Vikrell Material

See website for detailed warranty information.

### Available Color/Finishes

*Color tiles intended for reference only.*

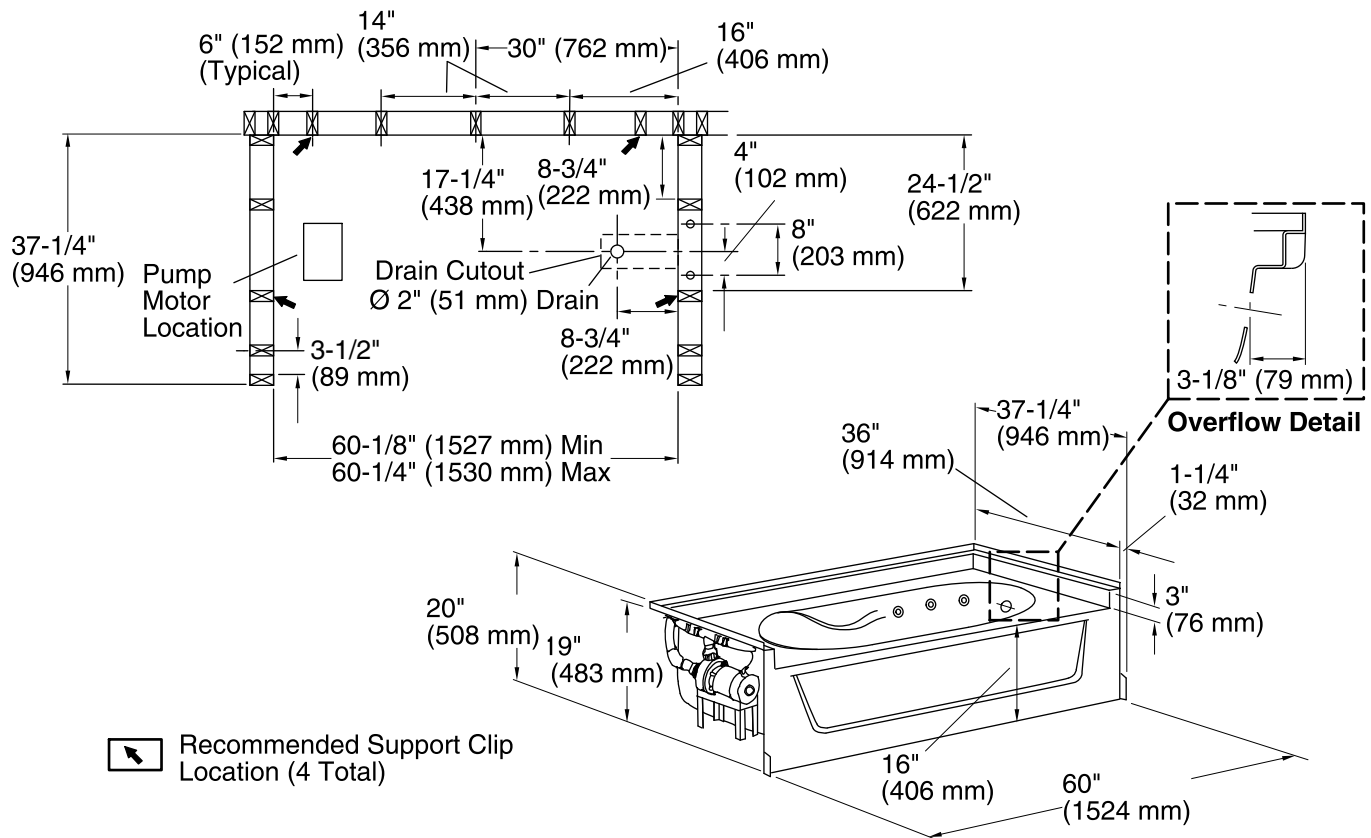
Color	Code	Description
	0	White
	96	KOHLER Biscuit

USA/Canada: 1-800-STERLING (1-800-783-7546)

Kohler Co. reserves the right to make revisions without notice to product specifications.

For the most current Specification Sheet, go to [www.sterlingplumbing.com](http://www.sterlingplumbing.com).

8-15-2016 04:12



### Required Electrical Service

One dedicated circuit required, protected with Class A Ground-Fault Circuit-Interrupter (GFCI) or Residual Current Device (RCD).

Pump: 120 V, 15 A, 60 Hz

### Technical Information

All product dimensions are nominal.

Installation: 3-Wall Alcove

Drain location: Right

Basin area, bottom: 40" x 21" (1016 mm x 533 mm)

Basin area, top: 52" x 29" (1321 mm x 737 mm)

Water depth: 11" (279 mm)

Water capacity: 40 gal (151.4 L)

Electrical component rating: Pump: 120 V, 7 A, 60 Hz

Pump speed: Single

Minimum flat for door: 0" (0 mm)

### Notes

Install this product according to the installation instructions.

Provide one grounded electrical outlet within 24" (610 mm) of each component.

Measure your actual product for roughing-in details.

Pump is supplied with 24" (610 mm) grounding-type plug-in cord.

Locate the outlet behind the whirlpool, and within 24" (610 mm) of the pump.

Do not disassemble the pump or piping as this could void the warranty.

Size the drain cutout to fit the drain assembly that will be used.

Studs should be positioned roughly as shown.

ADA compliant when installed to the specific requirements of these regulations.