



A KOHLER COMPANY

# Ensemble™ 32" Whirlpool Bath 76121110



## Features

- Left drain.
- Integral apron with removable access panel.
- Durable high-gloss finish.
- 18" (457 mm) bath whirlpool depth (floor to top of threshold).
- 60-1/4" (1530 mm) x 33-1/4" (845 mm) x 75-1/4" (1911 mm) complete unit rough-in dimensions include flange.
- 60" (1524 mm) x 32" (813 mm) x 74" (1880 mm) complete unit finished dimensions.

## Material

- Compression-molded from our exclusive solid Vikrell® material.

## Hydrotherapy

- Eight fully-adjustable hydro-massage jets (color-matched and factory-installed).
- Pump with air switch and grounding-type plug-in cord.

## Installation

- Alcove



ADA

## Codes/Standards



ASME A112.19.7/CSA B45.10  
 CSA B45.5/IAPMO Z124  
 ASTM E162  
 ASTM E662  
 UL 1795  
 Greenguard UL 2818 - Gold  
 ADA  
 ICC/ANSI A117.1  
 CARB P2

## STERLING® Warranty - Fixtures Made of Solid Vikrell Material

See website for detailed warranty information.

## Available Color/Finishes

*Color tiles intended for reference only.*

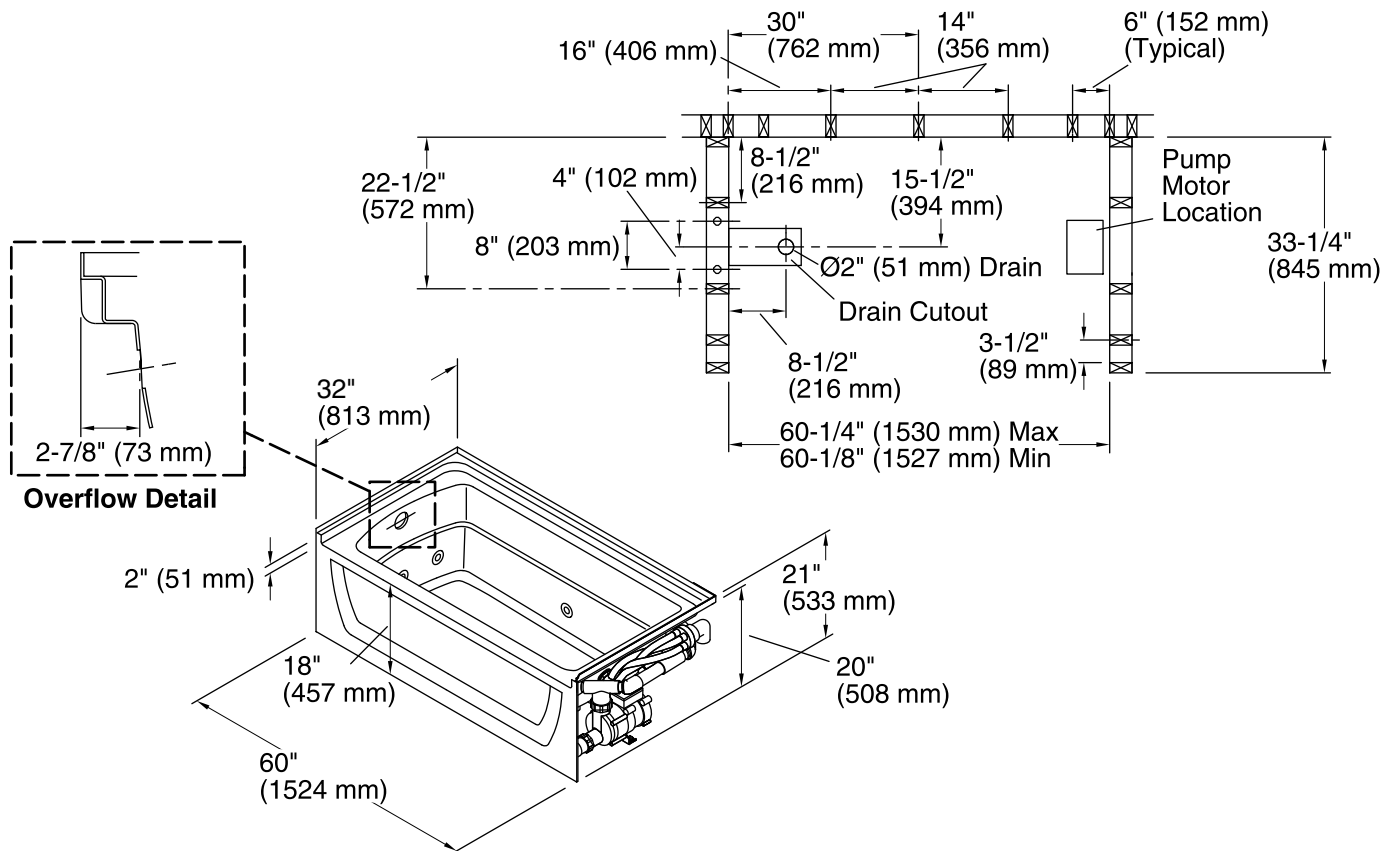
Color	Code	Description
	0	White
	96	KOHLER Biscuit

USA/Canada: 1-800-STERLING (1-800-783-7546)

Kohler Co. reserves the right to make revisions without notice to product specifications.

For the most current Specification Sheet, go to [www.sterlingplumbing.com](http://www.sterlingplumbing.com).

8-14-2016 05:02



### Required Electrical Service

One dedicated circuit required, protected with Class A Ground-Fault Circuit-Interrupter (GFCI) or Residual Current Device (RCD).

Pump: 120 V, 15 A, 60 Hz

### Technical Information

All product dimensions are nominal.

Installation: 3-Wall Alcove

Drain location: Left

Basin area, bottom: 42" x 20" (1067 mm x 508 mm)

Basin area, top: 54" x 26" (1372 mm x 660 mm)

Water depth: 13-3/4" (349 mm)

Water capacity: 55 gal (208.2 L)

Electrical component rating: Pump: 120 V, 7 A, 60 Hz

Pump speed: Single

Minimum flat for door: 0" (0 mm)

Door width required: 57-11/16" (1465 mm)

### Notes

Install this product according to the installation instructions.

Provide one grounded electrical outlet within 24" (610 mm) of each component.

Measure your actual product for roughing-in details.

Pump is supplied with 24" (610 mm) grounding-type plug-in cord.

Locate the outlet behind the whirlpool, and within 24" (610 mm) of the pump.

Do not disassemble the pump or piping as this could void the warranty.

Size the drain cutout to fit the drain assembly that will be used.

ADA compliant when installed to the specific requirements of these regulations.