



Ensemble™

60" Corner Whirlpool Bath

76131100



Features

- Center drain.
- Durable high-gloss finish.
- Deck accommodates multiple faucet-mounting locations.
- Multiple seating positions for multiple bathers.
- Removable access panel simplifies installation and service.
- 60" (1524 mm) x 60" (1524 mm) x 20-1/2" (521 mm) complete unit rough-in dimensions include flange.
- 60" (1524 mm) x 60" (1524 mm) x 20" (508 mm) complete unit finished dimensions.

Material

- Compression-molded from our exclusive solid Vikrell® material.

Hydrotherapy

- Seven fully-adjustable hydro-massage jets (color-matched and factory-installed).
- Pump with air switch and grounding-type plug-in cord.

Installation

- Integral flange for tile-down application.



Codes/Standards



ASME A112.19.7/CSA B45.10
CSA B45.5/IAPMO Z124
ASTM E162
ASTM E662
UL 1795
Greenguard UL 2818 - Gold
CARB P2

STERLING® Warranty - Fixtures Made of Solid Vikrell Material

See website for detailed warranty information.

Available Color/Finishes

Color tiles intended for reference only.

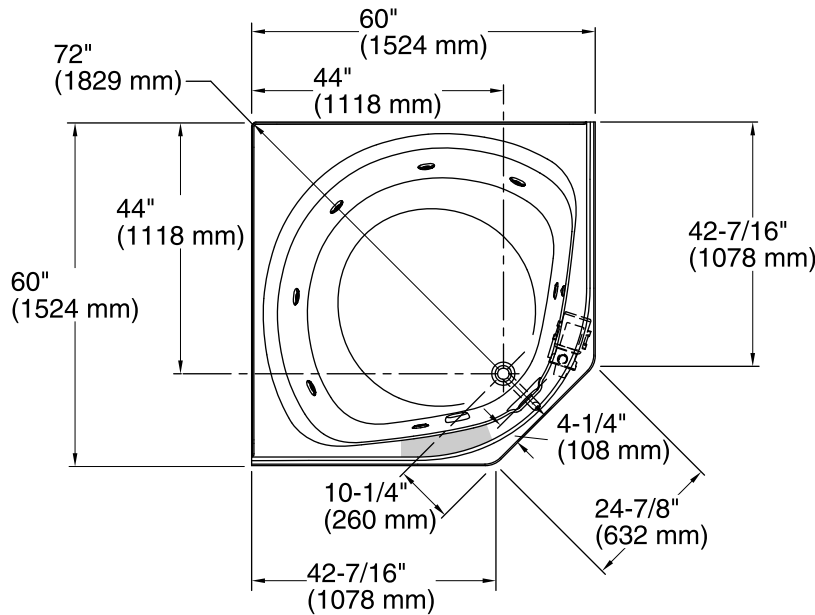
Color	Code	Description
	0	White
	96	KOHLER Biscuit

USA/Canada: 1-800-STERLING (1-800-783-7546)

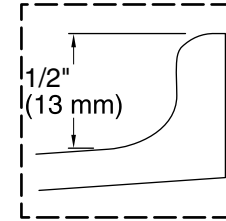
Kohler Co. reserves the right to make revisions without notice to product specifications.

For the most current Specification Sheet, go to www.sterlingplumbing.com.

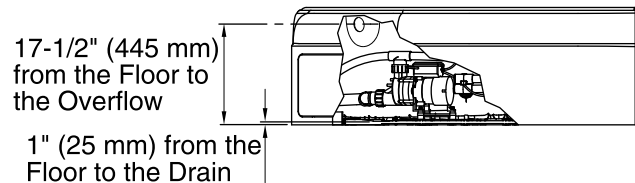
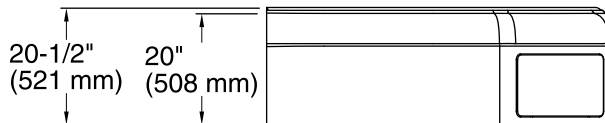
8-14-2016 05:02



Recommended faucet area



Tile Flange Detail



Required Electrical Service

One dedicated circuit required, protected with Class A Ground-Fault Circuit-Interrupter (GFCI) or Residual Current Device (RCD).

Pump: 120 V, 15 A, 60 Hz

Technical Information

All product dimensions are nominal.

Installation: Corner
 Drain location: Center
 Basin area, bottom: 49" x 42" (1245 mm x 1067 mm)
 Basin area, top: 50" x 60" (1270 mm x 1524 mm)
 Water depth: 15-1/4" (387 mm)
 Water capacity: 108 gal (408.8 L)
 Electrical component Pump: 120 V, 7 A, 60 Hz rating:
 Pump speed: Single
 Minimum flat for door: 0" (0 mm)

Notes

- Install this product according to the installation instructions.
- Provide one grounded electrical outlet within 24" (610 mm) of each component.
- Measure your actual product for roughing-in details.
- Pump is supplied with 24" (610 mm) grounding-type plug-in cord.
- Locate the outlet inside the access opening, opposite the pump from the drain.
- Do not disassemble the pump or piping as this could void the warranty.
- Size the drain cutout to fit the drain assembly that will be used.