



A KOHLER COMPANY

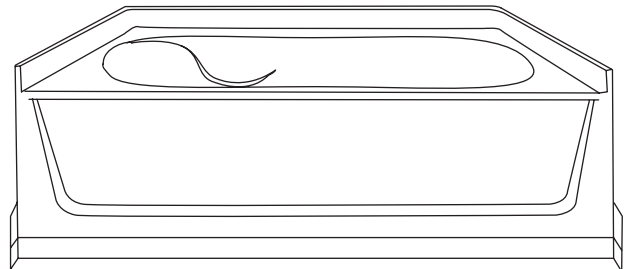
ENSEMBLE™

Features

- Compression molded from Sterling's exclusive solid Vikrell® material
- Lightly pebbled bottom surface for sure footing
- Durable high gloss finish
- 10 year consumer/3 year commercial limited warranty
- Integral apron with removable access panel
- 18" (45.7 cm) bath depth (floor to top of dam)
- 2" (5.1 cm) wainscot/tile ledge
- 60" (152.4 cm) x 32-1/8" (81.6 cm) x 21" (53.3 cm) rough-in dimensions include flanges
- 60" (152.4 cm) x 32" (81.3 cm) x 20" (50.8 cm) finished dimensions

32" (81.3 cm) BATH WITH ACCESS PANEL

71121117
ALSO 71121127



Codes/Standards Applicable

Specified model meets or exceeds the following:

- ASTM E162
- ASTM E662
- ANSI Z124.1.2
- ASTM F462 Slip Resistance
- IAPMO/cUPC
- CSA B45.0
- CSA B45.5

Colors/Finishes

- 0: White
- Other: Refer to Price Book for additional colors/finishes

Specified Model

Model	Complete Unit Description	Colors/Finishes	
71121117	32" (81.3 cm) bath with access panel, left drain (shown)	<input type="checkbox"/> 0	<input type="checkbox"/> Other _____
71121127	32" (81.3 cm) bath with access panel, right drain	<input type="checkbox"/> 0	<input type="checkbox"/> Other _____

SterlingPlumbing.com

Visit us online for fixture color choices, detailed product information, color photos, installation instructions, care guides, and warranties. Sterling offers additional lines of plumbing products to complement the Sterling product you've chosen. Sign up for the Sterling e-newsletter to learn more about our latest product innovations. You may also reach us by calling the Sterling Answer Center from within the USA at 1-888-STERLING in addition to consulting with your local dealer.

ENSEMBLE™

Technical Information

Fixture*:	
Bathing well	42" (106.7 cm) x 20" (50.8 cm)
Top area	54" (137.2 cm) x 26" (66 cm)
To overflow:	
Water depth	13-3/4" (34.9 cm)
Capacity	55 gal (208.2 L)
* Approximate measurements for comparison only.	

Model	door maximum width	door maximum height
71121117	57-11/16" (146.5 cm)	NA*
71121127	57-11/16" (146.5 cm)	NA*
* Varies with alternative walls.		

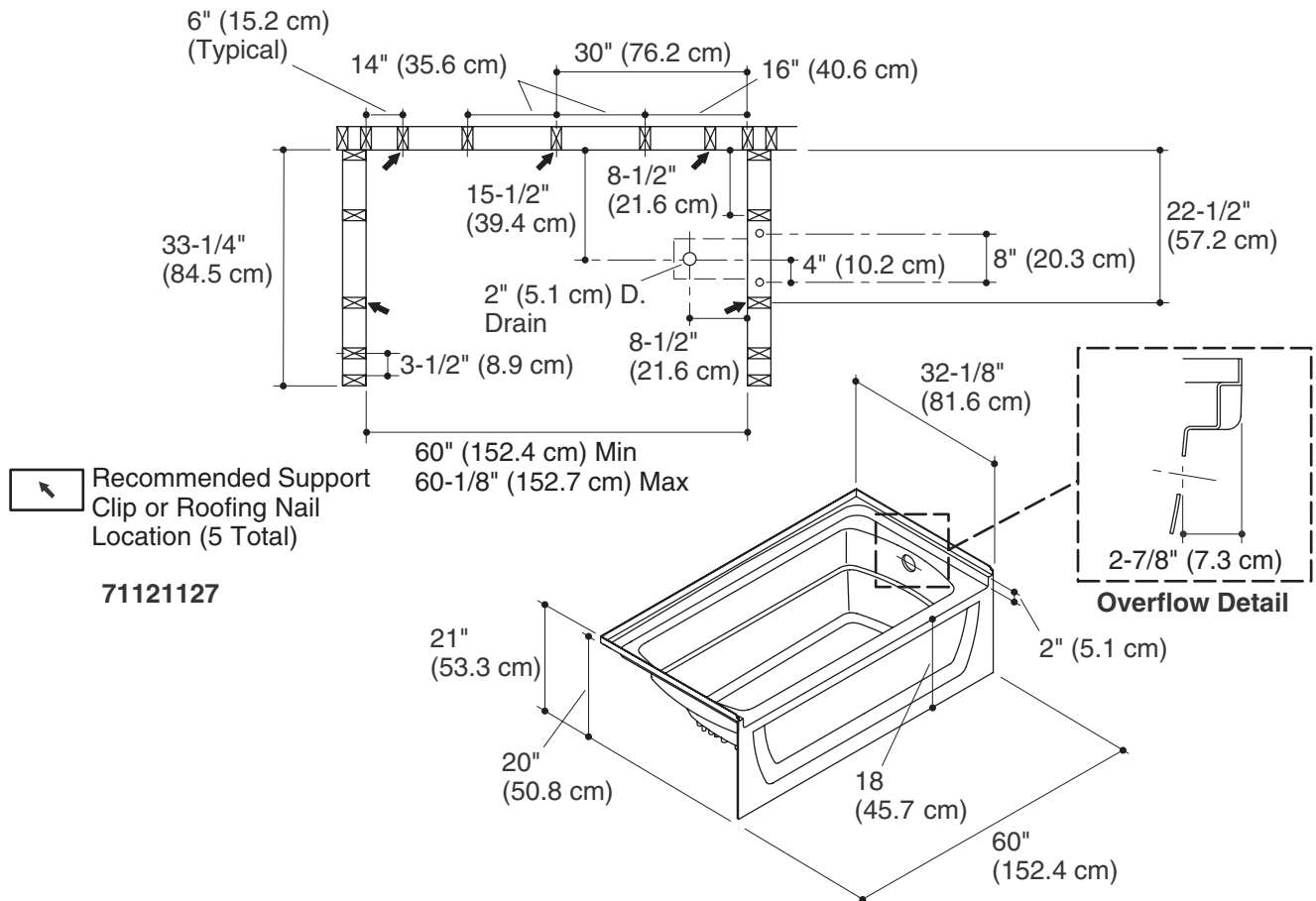
Installation Notes

Install this product according to the installation guide.

Size the drain cutout to fit the drain assembly that will be used.

Stud positioning is critical.

Studs should be positioned roughly as shown for support clip or roofing nail installation.



Product Diagram