



Southaven®

Top-mount Kitchen Sink
11405-4

Features

- Top-mount
- Four faucet holes
- 8"-deep single bowl
- 3-5/8" drain opening
- Stainless steel with durable satin finish
- SilentShield technology
- 20-gauge stainless steel
- Lifetime limited warranty

Recommended Accessories

7400 Sink Strainer

Components

Product includes:

1150001 Installation Clips



Codes/Standards

ASME A112.19.3/CSA B45.4

STERLING® Warranty - Stainless Steel Sinks

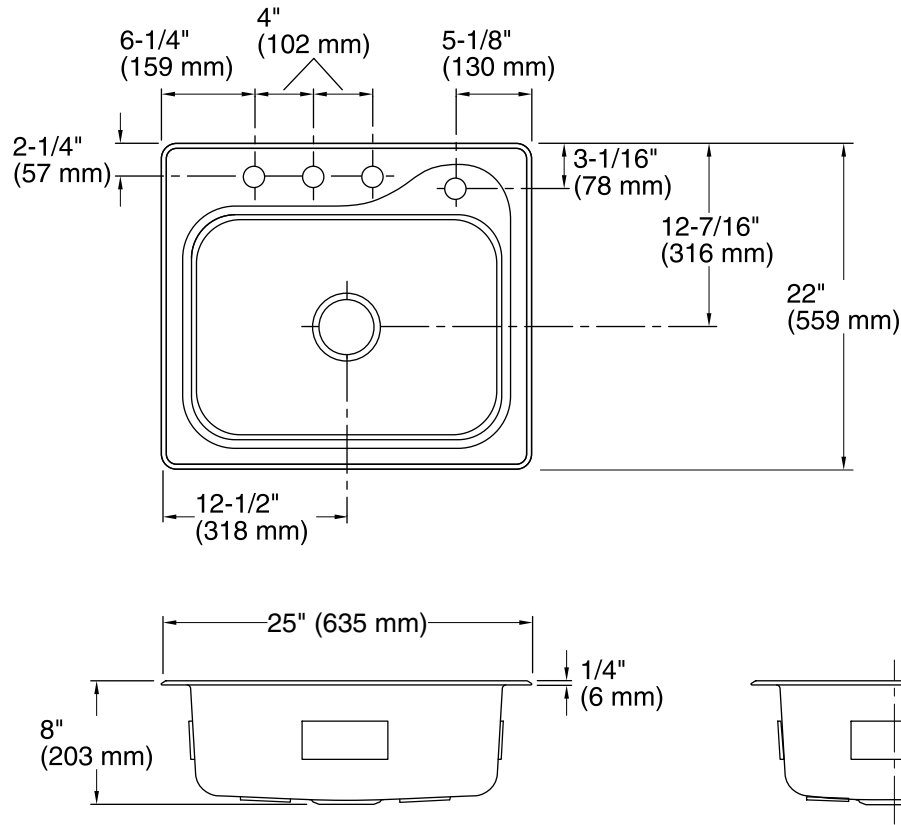
See website for detailed warranty information.

1-800-STERLING (1-800-783-7546)

Kohler Co. reserves the right to make revisions without notice to product specifications.

For the most current Specification Sheet, go to www.sterlingplumbing.com.

12-4-2018 10:00 - US



Technical Information

All product dimensions are nominal.

- Bowl configuration: Single
- Installation: Top-mount
- Cutout: Top-mount, 24-1/4" x 21-1/4" (616 mm x 540 mm) with 1/2" (13 mm) radius corners
- Min. base cabinet width: 27" (686 mm)
- Bowl area (Only):
 - Length: 21" (533 mm)
 - Width: 15-1/4" (387 mm)
 - Bowl depth: 8" (203 mm)
 - Water depth: 8" (203 mm)
- Number of deck holes: 4
- Faucet hole(s): 1-7/16" (37 mm)
- Drain hole: 3-5/8" (92 mm)

Notes

Install this product according to the installation instructions.

Measure your actual product for roughing-in details.