



A KOHLER COMPANY

ENSEMBLE™

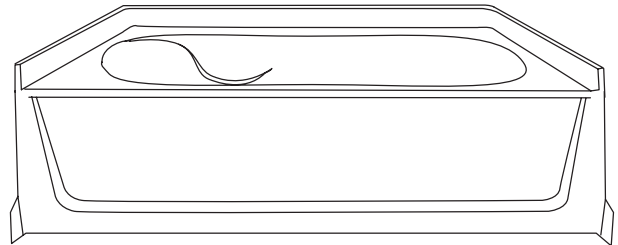
Features

- Compression molded from Sterling's exclusive solid Vikrell® material
- Gentle sloping back, neck, and armrest in bath design
- Bath and integral apron eliminates installation step
- Lightly pebbled bottom surface for sure footing
- Durable high gloss finish
- 10 year consumer/3 year commercial limited warranty
- 16" (40.6 cm) bath depth (floor to top of dam)
- 3" (7.6 cm) wainscot/tile ledge
- 60" (152.4 cm) x 37-1/2" (95.3 cm) x 20" (50.8 cm) rough-in dimensions include flanges
- 60" (152.4 cm) x 36" (91.4 cm) x 19" (48.3 cm) finished dimensions

36" (91.4 cm) OVAL BATH

71101110

ALSO 71101120



Codes/Standards Applicable

Specified model meets or exceeds the following:

- ASTM E162
- ASTM E662
- ANSI Z124.1.2
- IAPMO/UPC
- HUD, UM Bulletin 73A
- NAHB Research Foundation, Inc.

Colors/Finishes

- 0: White
- Other: Refer to Price Book for additional colors/finishes

Specified Model

Model	Description	Colors/Finishes	
71101110	36" (91.4 cm) oval bath, left drain	<input type="checkbox"/> 0	<input type="checkbox"/> Other _____
71101120	36" (91.4 cm) oval bath, right drain	<input type="checkbox"/> 0	<input type="checkbox"/> Other _____
71101310	36" (91.4 cm) oval bath, 3 pack, right drain	<input type="checkbox"/> 0	<input type="checkbox"/> Other _____
71101320	36" (91.4 cm) oval bath, 3 pack, right drain	<input type="checkbox"/> 0	<input type="checkbox"/> Other _____

SterlingPlumbing.com

Visit us online for fixture color choices, detailed product information, color photos, installation instructions, care guides, and warranties. Sterling offers additional lines of plumbing products to complement the Sterling product you've chosen. Sign up for the Sterling monthly e-newsletter which showcases our latest product innovations. You may also call our Sterling Plumbing Answer Center from within the USA at 1-888-STERLING in addition to consulting with your local dealer. Sterling. Strong. Professional. Design.

ENSEMBLE™

Technical Information

Fixture*:	basin area	top area
Bathing well	40" (101.6 cm) x 21" (53.3 cm)	52" (132.1 cm) x 29" (73.7 cm)
To overflow	water depth	capacity
	11" (27.9 cm)	40 gal (151.4 L)
* Approximate measurements for comparison only.		

Model	door maximum width	door maximum height
71101110 71101120	58-1/2" (148.6 cm)*	NA*
* Varies with alternative walls.		

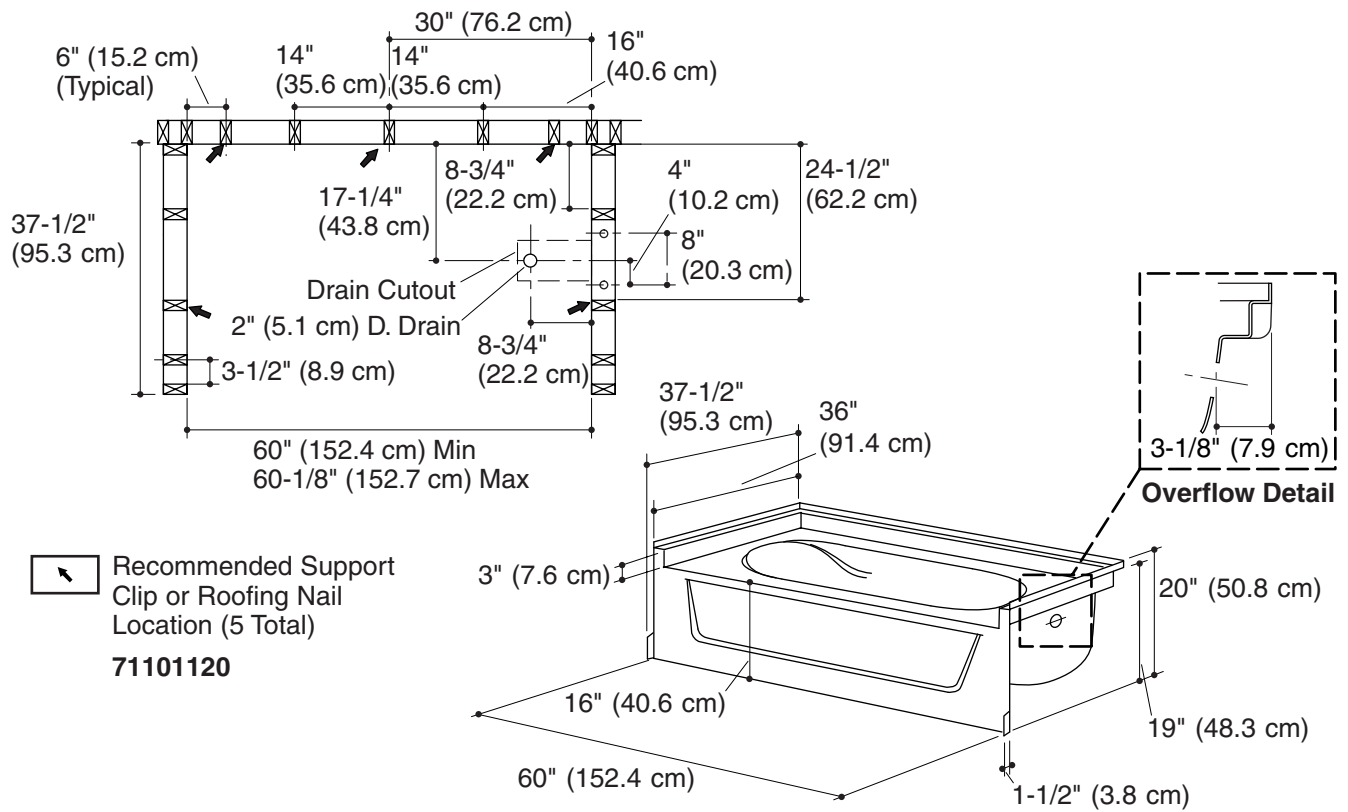
Installation Notes

Install this product according to the installation guide.

Size the drain cutout to fit the drain assembly that will be used.

Stud positioning is critical.

Studs should be positioned roughly as shown for support clip or roofing nail installation.



Product Diagram