



OC-SS-39

39" Shower with Seat and Grab Bars

62050125



Features

- Tongue-and-groove four piece modular design allows for easy snap together installation.
- Modular design allows it to be moved around corners and through doorways with ease.
- Durable swirl gloss finish.
- Includes folding transfer seat with stainless steel support.
- Includes factory installed stainless steel grab bars.
- 1/2" (13 mm) threshold with 1/2" (13 mm) finished floor.
- 39-3/8" (1000 mm) x 39-3/8" (1000 mm) x 72" (1829 mm) complete unit finished dimensions.

Material

- Compression molded from our exclusive Vikrell® material.

Installation

- Caulk required for proper installation.

Components

Product includes:

62055125 39" Shower End Wall Set with Seat and Grab Bar

62051100 39" Shower Base

62052123 39" Shower Back Wall with Grab Bar



Codes/Standards

CSA B45.5/IAPMO Z124

ASTM E162

ASTM E662

Greenguard UL 2818 - Gold

ICC/ANSI A117.1

HUD, UM Bulletin 73



STERLING® Warranty - Fixtures Made of Solid Vikrell Material

See website for detailed warranty information.

Available Color/Finishes

Color tiles intended for reference only.

Color	Code	Description
-------	------	-------------

- | | | |
|--|----|---------|
|  | 0 | White |
|  | 96 | Biscuit |

USA/Canada: 1-800-STERLING (1-800-783-7546)

Kohler Co. reserves the right to make revisions without notice to product specifications.

For the most current Specification Sheet, go to www.sterlingplumbing.com.

8-11-2015 01:50

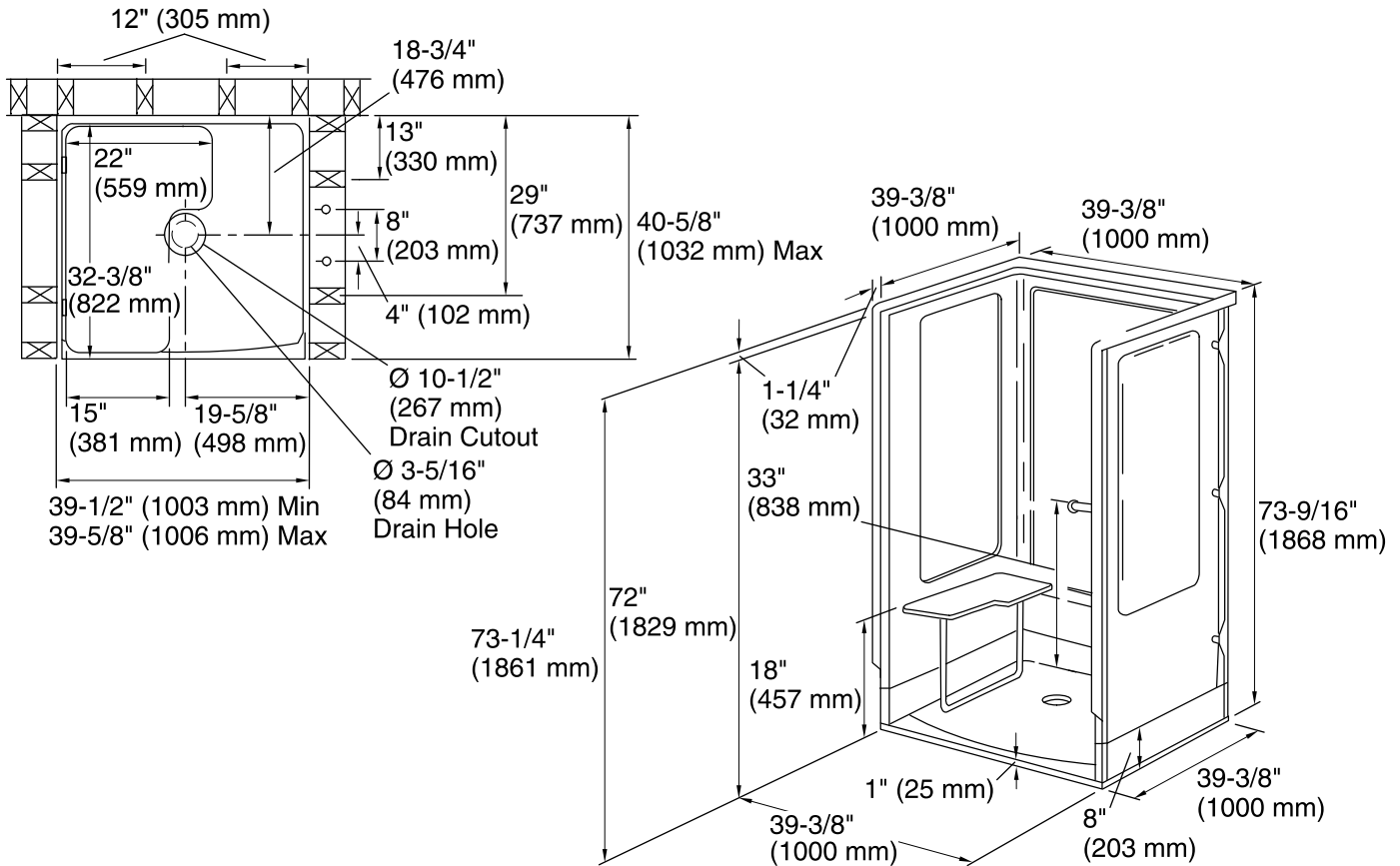
STERLING

A KOHLER COMPANY

OC-SS-39

39" Shower with Seat and Grab Bars

62050125



Technical Information

All product dimensions are nominal.

Installation: 3-Wall Alcove

Drain location: Center

Notes

Install this product according to the installation guide.

Drain cutout in subfloor to be 10-1/2" (267 mm) per rough-in illustration as shown to allow the backside of the drain to sit below the subflow surface.

Studs should be positioned as shown.

Backer boards and fasteners protrude beyond the back wall 1-1/2" (38 mm). If installing this product against wall board, 1-1/2" (38 mm) furring strips installed over the wall board are recommended. The stud pocket depth of 40-5/8" (1032 mm) will need to be increased by the combined thickness of the wall board and furring strips.

USA/Canada: 1-800-STERLING (1-800-783-7546)

Kohler Co. reserves the right to make revisions without notice to product specifications.

For the most current Specification Sheet, go to www.sterlingplumbing.com.

8-11-2015 01:50