



**Features**

- Modular design allows it to be moved around corners and through doorways with ease.
- Durable high gloss finish.
- Acrylic towel bar included on back wall.
- 15" (381 mm) bath depth (floor to top of threshold).
- 60" (1524 mm) x 29" (737 mm) x 75-3/4" (1924 mm) complete unit finished dimensions.

**Material**

- Compression molded from our exclusive solid Vikrell® material.

**Installation**

- Tongue-and-groove four piece modular design allows for easy snap together installation.
- Caulk is required in seams for proper installation.

**Components**

Product includes:

71041110 60" Bath

71044100 60" Bath/Shower Wall Set



**Codes/Standards**

CSA B45.5/IAPMO Z124

ASTM E162

ASTM E662

Greenguard UL 2818 - Gold

HUD, UM Bulletin 73



**STERLING® Warranty - Fixtures Made of Solid Vikrell Material**

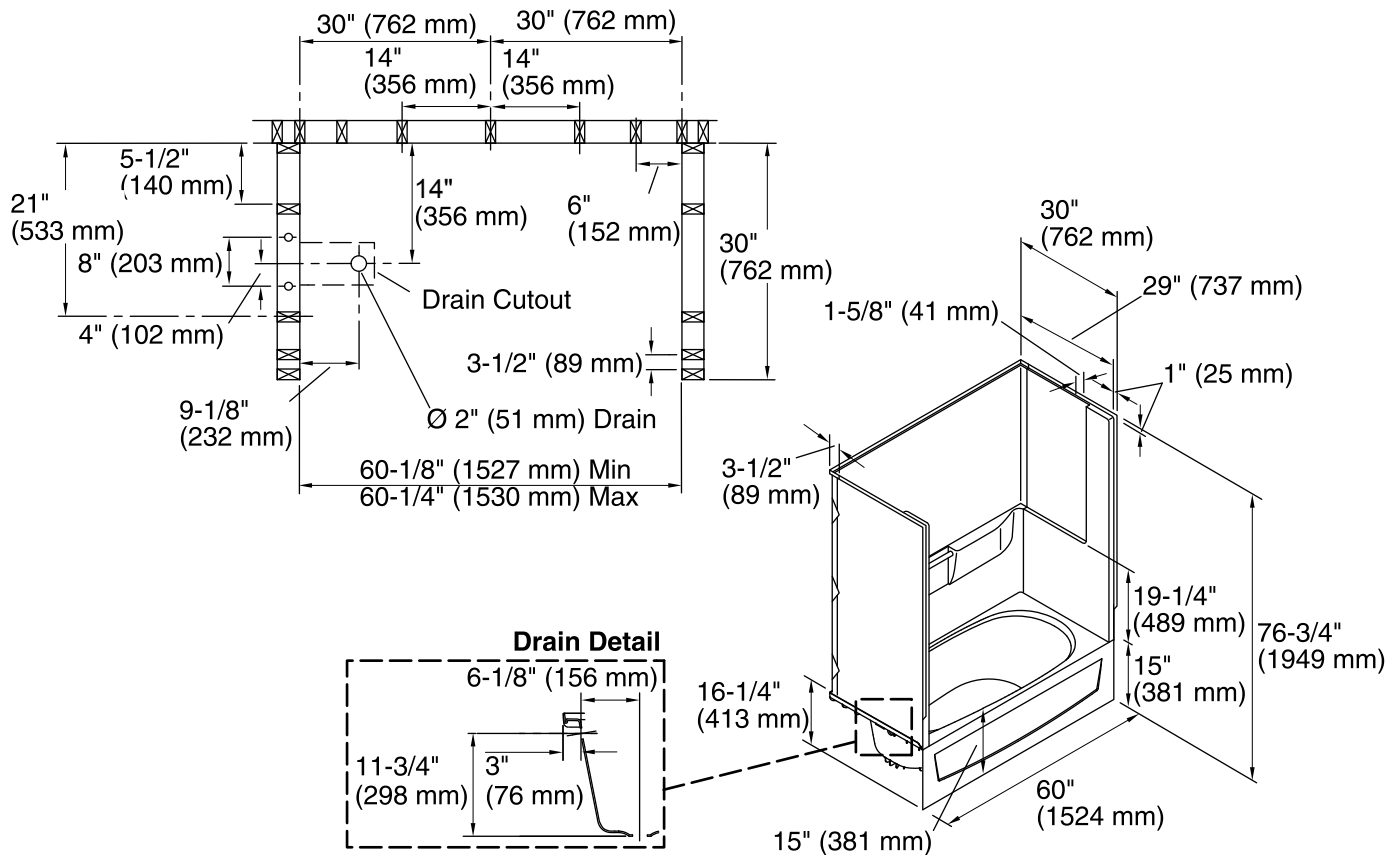
See website for detailed warranty information.

**Available Color/Finishes**

*Color tiles intended for reference only.*

**Color Code Description**

- |  |    |         |
|--|----|---------|
|  | 0  | White   |
|  | 96 | Biscuit |



### Technical Information

All product dimensions are nominal.

Installation:	3-Wall Alcove
Drain location:	Left
Basin area, bottom:	21" x 39" (533 mm x 991 mm)
Basin area, top:	24" x 53" (610 mm x 1346 mm)
Water depth:	10-1/4" (260 mm)
Water capacity:	35 gal (132.5 L)
Door height required:	59-1/2" (1511 mm)
Door width required:	56-3/4" (1441 mm)

### Notes

Measure your actual product for roughing-in details.

Install this product according to the installation guide.

Double studing is recommended for pivot shower door installations.

Studs should be positioned roughly as shown.