

# STERLING®

A KOHLER COMPANY

FINESSE™

## Features

- Frameless design maximizes glass area
- Inside and outside elegant brass pull handles
- Two roller-compression latches allow for smooth, secure door closure
- A concealed hinge provides smooth, stable operation
- No top header eliminates clearance issues
- 1-1/2" (3.8 cm) width adjustability for out-of-plumb conditions
- Aluminum components extruded from alloy 6063-T5
- Stainless steel hardware prevents rusting or corrosion
- 1/4" (6 mm) thick tempered glass
- Available in sizes to fit 28-3/4" (73 cm) to 39" (99.1 cm) opening

## Codes/Standards Applicable

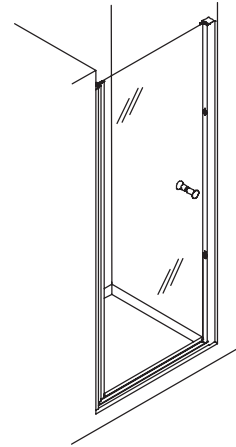
Specified model meets or exceeds the following:

- ANSI Z97.1 (tempered glass)

## FRAMELESS HINGE SHOWER DOOR

# 6305-34

ALSO 6305-35, 6305-36



## Colors/Finishes

- Refer to the Price Book for current frame finish and glass options

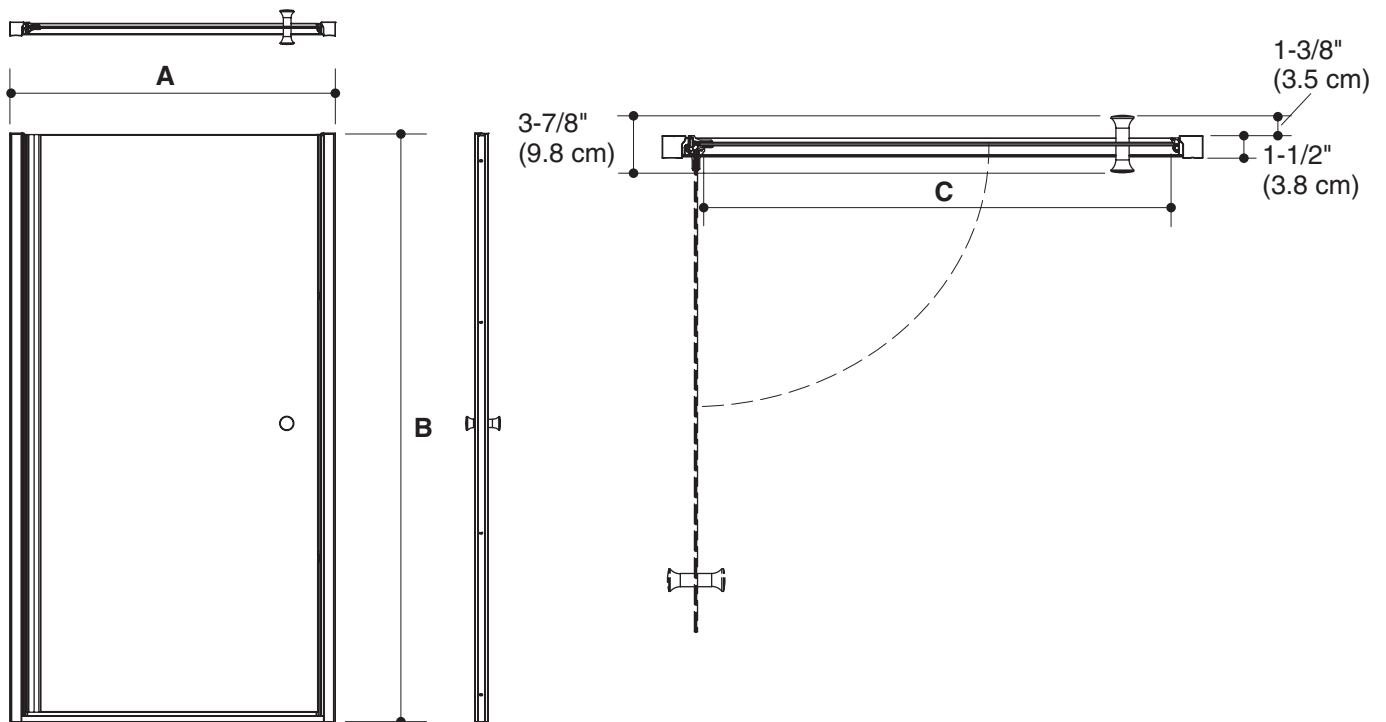
## Specified Model

| Model         | Application | Glass Texture | Pattern | *Frame Colors/Finishes  |
|---------------|-------------|---------------|---------|---|
| 6305-34*      | Shower      | Smooth        | None    | Refer to Price Book for current frame finish and glass options. |
| 6305-34*-G03  | Shower      | Smooth        | Frosted |   |
| 6305-34DR-G05 | Shower      | Smooth        | None    |   |
| 6305-34*-G57  | Shower      | Solstice™     | None    |   |
| 6305-35*      | Shower      | Smooth        | None    |   |
| 6305-35DR-G05 | Shower      | Smooth        | None    |   |
| 6305-35*-G57  | Shower      | Solstice™     | None    |   |
| 6305-36*      | Shower      | Smooth        | None    |   |
| 6305-36DR-G05 | Shower      | Smooth        | None    |   |
| 6305-36*-G57  | Shower      | Solstice™     | None    |   |
| 6305-37*      | Shower      | Smooth        | None    |   |
| 6305-37DR-G05 | Shower      | Smooth        | None    |   |
| 6305-37S-G57  | Shower      | Solstice™     | None    |   |
| 6305-39*      | Shower      | Smooth        | None    |   |
| 6305-39DR-G05 | Shower      | Smooth        | None    |   |
| 6305-39*-G57  | Shower      | Solstice™     | None    |   |

\* Note: Add appropriate frame color/finish code to the end of the unit model # when ordering.

# FINESSE™

| Model   | A Width (Max / Min)                   | B (Height)         | C (Walk Through Max) |
|---------|---------------------------------------|--------------------|----------------------|
| 6305-34 | 34" (86.4 cm) / 32-1/2" (82.6 cm)     | 65-1/2" (166.4 cm) | 27-9/16" (70 cm)     |
| 6305-35 | 35-1/4" (89.5 cm) / 33-3/4" (85.7 cm) | 65-1/2" (166.4 cm) | 28-13/16" (73.2 cm)  |
| 6305-36 | 36-1/2" (92.7 cm) / 35" (88.9 cm)     | 65-1/2" (166.4 cm) | 30-1/16" (76.4 cm)   |
| 6305-37 | 37-3/4" (95.9 cm) / 36-1/4" (92.1 cm) | 65-1/2" (166.4 cm) | 31-5/16" (79.5 cm)   |
| 6305-39 | 39" (99.1 cm) / 37-1/2" (95.3 cm)     | 65-1/2" (166.4 cm) | 32-9/16" (82.7 cm)   |



## Product Diagram