



### Features

- Durable swirl gloss finish.
- Modular design allows it to be moved around corners and through doorways with ease.
- Convenient shelving and acrylic towel bar on back wall.
- 15" (381 mm) bath depth (floor to top of threshold).
- 60" (1524 mm) x 30" (762 mm) x 72-3/4" (1848 mm) complete unit finished dimensions.

### Material

- Compression molded from our exclusive solid Vikrell® material.

### Installation

- Tongue-and-groove four-piece modular design allows for easy snap together installation.
- Caulk required in seams for proper installation.

### Components

Product includes:

- 61044100 60" Bath/Shower Wall Set
- 61041110



### Codes/Standards

CSA B45.5/IAPMO Z124  
ASTM E162  
ASTM E662  
Greenguard UL 2818 - Gold  
HUD, UM Bulletin 73



### STERLING® Warranty - Fixtures Made of Solid Vikrell Material

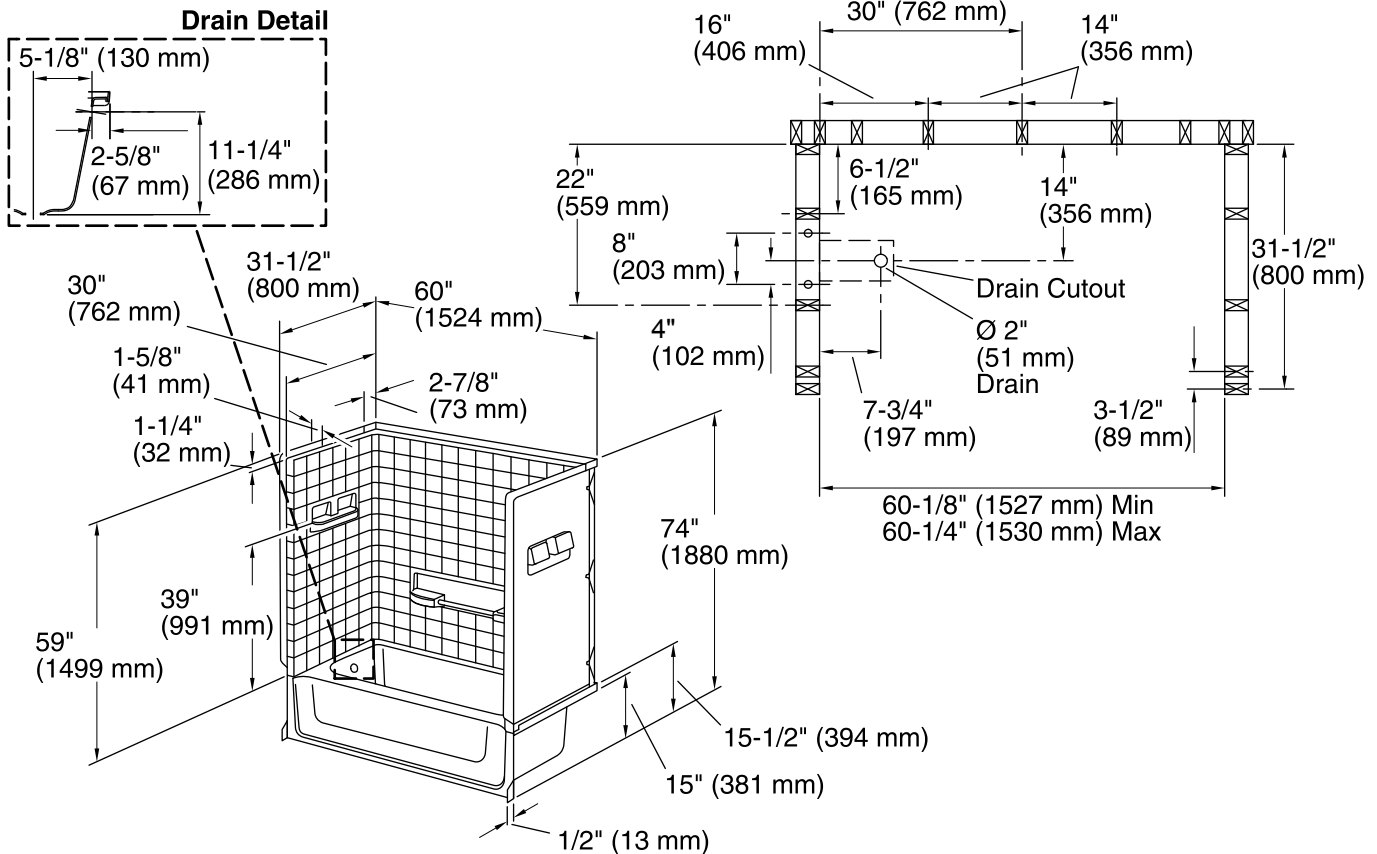
See website for detailed warranty information.

### Available Color/Finishes

*Color tiles intended for reference only.*

Color	Code	Description
-------	------	-------------

- |  |    |         |
|--|----|---------|
|  | 0  | White   |
|  | 96 | Biscuit |



### Technical Information

All product dimensions are nominal.

- Installation: 3-Wall Alcove  
 Drain location: Left  
 Basin area, bottom: 48" x 21" (1219 mm x 533 mm)  
 Basin area, top: 55" x 23" (1397 mm x 584 mm)  
 Water depth: 9-3/8" (238 mm)  
 Water capacity: 44 gal (166.6 L)  
 Door height required: 57-3/4" (1467 mm)  
 Door width required: 57-1/2" (1461 mm)

### Notes

- Measure your actual product for roughing-in details.  
 Install this product according to the installation guide.  
 Double studding is recommended for pivot shower door installations.  
 Studs should be positioned roughly as shown.