



A KOHLER COMPANY

ACCLAIM™

Features

- Innovative design for seamless appearance
- Above floor drain rough-in
- Factory installed VIKRELL™ apron extension and plastic undersupport for ease of installation
- Compression molded from Sterling's exclusive solid VIKRELL™ material
- Lightly pebbled bottom surface for sure footing
- Tongue-and-groove "snap together" design allows for caulkless installation
- Durable high gloss finish
- 10 year consumer/3 year commercial limited warranty
- 60" (152.4 cm) x 31-1/2" (80 cm) x 75-3/4" (192.4 cm) complete unit rough-in dimensions include flange
- 60" (152.4 cm) x 30" (76.2 cm) x 74-1/4" (188.6 cm) complete unit finished dimensions
- 17-1/4" (43.8 cm) bath depth (floor to top of dam)

Codes/Standards Applicable

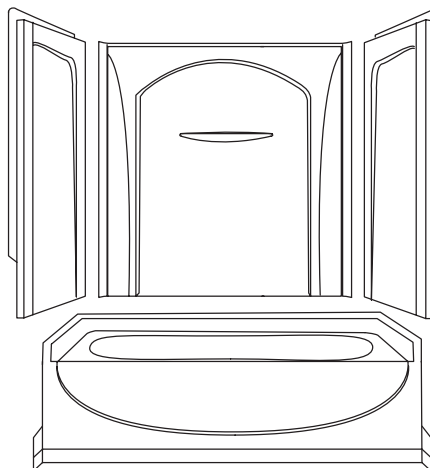
Specified model meets or exceeds the following:

- ANSI Z124.1
- IAPMO/UPC
- CSA B45

60" (152.4 cm) AFD BATH/SHOWER SYSTEM

71090112

ALSO 71090122, 71091112, 71091122



Colors/Finishes

- 0: White
- Other: Refer to Price Book for additional colors/finishes

Specified Model

Model	Complete Unit Description	Colors/Finishes	
71090112	60" (152.4 cm) AFD bath and wall surround, left drain	<input type="checkbox"/> 0 White	<input type="checkbox"/> Other_____
71090122	60" (152.4 cm) AFD bath and wall surround, right drain	<input type="checkbox"/> 0 White	<input type="checkbox"/> Other_____
71091112	60" (152.4 cm) AFD bath only, left drain	<input type="checkbox"/> 0 White	<input type="checkbox"/> Other_____
71091122	60" (152.4 cm) AFD bath only, right drain	<input type="checkbox"/> 0 White	<input type="checkbox"/> Other_____

Model	Wall Component Description	Colors/Finishes	
71092100	Back wall	<input type="checkbox"/> 0 White	<input type="checkbox"/> Other_____
71093110	Left end wall	<input type="checkbox"/> 0 White	<input type="checkbox"/> Other_____
71093120	Right end wall	<input type="checkbox"/> 0 White	<input type="checkbox"/> Other_____
71094100	Complete wall set	<input type="checkbox"/> 0 White	<input type="checkbox"/> Other_____
71095100	End wall set	<input type="checkbox"/> 0 White	<input type="checkbox"/> Other_____

SterlingPlumbing.com

Visit us online for fixture color choices, detailed product information, color photos, installation instructions, care guides, and warranties. Sterling offers additional lines of plumbing products to complement the Sterling product you've chosen. Sign up for the Sterling monthly e-newsletter which showcases our latest product innovations. You may also call our Sterling Plumbing Answer Center from within the USA at 1-888-STERLING in addition to consulting with your local dealer. Sterling. Strong. Professional. Design.

Technical Information

Fixture:*	basin area	top area
Bathing well	42" (106.7 cm) x 16-1/4" (41.3 cm)	56" (142.2 cm) x 23-3/4" (60.3 cm)
	water depth	capacity
To overflow	12" (33 cm)	34 gals. (128.7 L)
* Approximate measurements for comparison only.		

Model	door maximum width	door maximum height
71090112/ 71090122	58-1/2" (148.4 cm)	56-1/2" (143.5 cm)
71091112/ 71091122	*58-1/2" (148.4 cm)	* NA
* Varies with alternative walls.		

Installation Notes

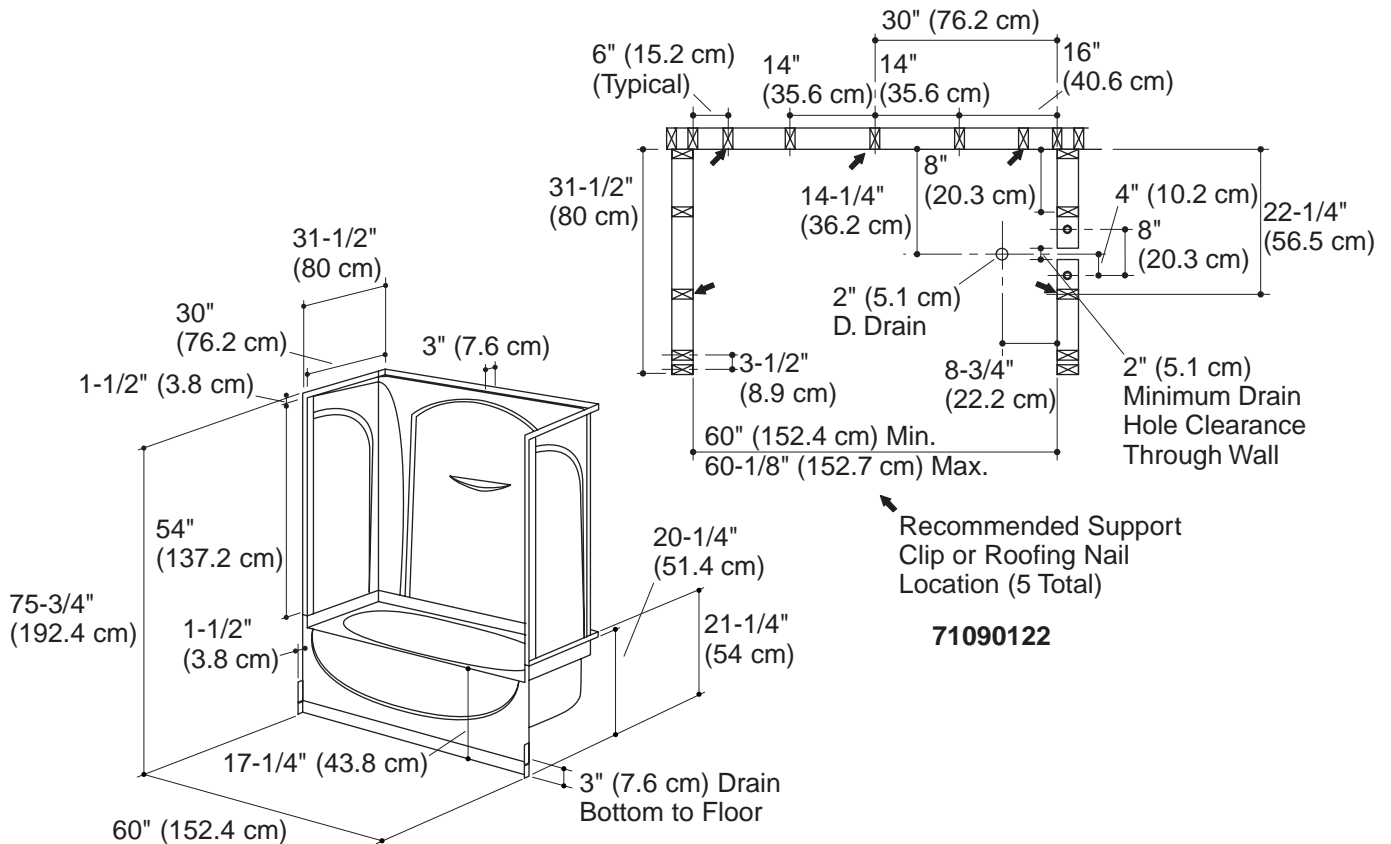
Install this product according to the installation guide.

Size the drain hole clearance to fit the drain assembly that will be used.

End stud positioning is critical if nailing-in flanges are to be used.

Double studding is recommended for pivot shower door installations.

Studs should be positioned roughly as shown for support clip or roofing nail installation.



Product Diagram