

Features

- CleanCoat™ glass coating
- Frameless design maximizes glass area
- Inside and outside elegant pull handles
- Two roller-compression latches allow for smooth, secure door closure
- A concealed hinge provides smooth, stable operation
- No top header eliminates clearance issues
- 1-1/2" (3.8 cm) width adjustability for out-of-plumb conditions
- Aluminum components extruded from alloy 6063-T5
- Stainless steel hardware prevents rusting or corrosion
- 1/4" (6 mm) thick tempered glass
- Available in sizes to fit 28-3/4" (73 cm) to 32-3/4" (83.2 cm) opening

Codes/Standards Applicable

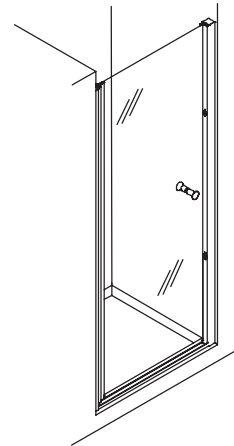
Specified model meets or exceeds the following:

- ANSI Z97.1 (tempered glass)
- 16 CFR Part 1201

Specified Model

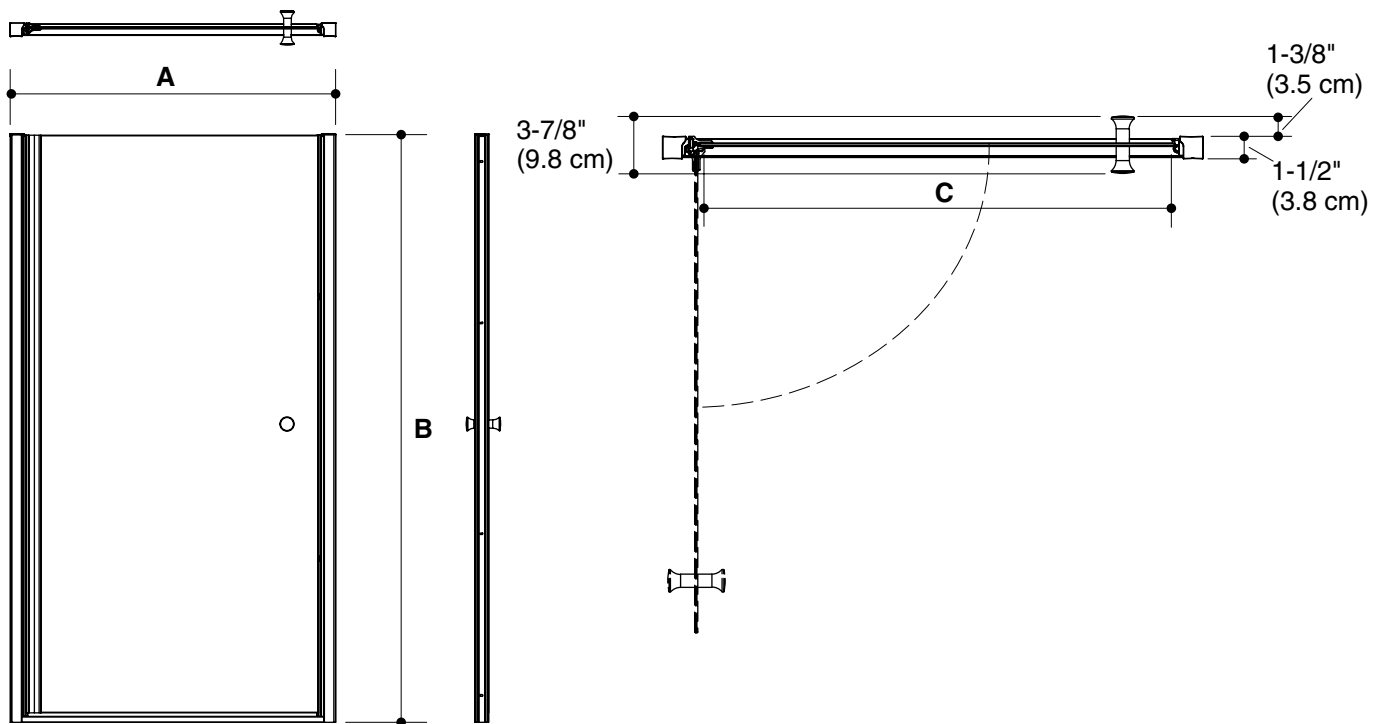
Model	A Width (Max/Min)*	B (Height)*	C Walk Through Max)*
6305-30**	30-1/4" (76.8 cm) / 28-3/4" (73 cm)	65-1/2" (166.4 cm)	23-13/16" (60.5 cm)
6305-31**	31-1/2" (80 cm) / 30" (76.2 cm)	65-1/2" (166.4 cm)	25-1/16" (63.7 cm)
6305-32**	32-3/4" (83.2 cm) / 31-1/4" (79.4 cm)	65-1/2" (166.4 cm)	26-5/16" (66.8 cm)
6305-34**	34" (86.4 cm) / 32-1/2" (82.6 cm)	65-1/2" (166.4 cm)	27-9/16" (70 cm)
6305-35**	35-1/4" (89.5 cm) / 33-3/4" (85.7 cm)	65-1/2" (166.4 cm)	28-13/16" (73.2 cm)
6305-36**	36-1/2" (92.7 cm) / 35" (88.9 cm)	65-1/2" (166.4 cm)	30-1/16" (76.4 cm)
6305-37**	37-3/4" (95.9 cm) / 36-1/4" (92.1 cm)	65-1/2" (166.4 cm)	31-5/16" (79.5 cm)
6305-39**	39" (99.1 cm) / 37-1/2" (95.3 cm)	65-1/2" (166.4 cm)	32-9/16" (82.7 cm)
* Note: Consult the diagram on the next page for the location of the measurements.			
** Note: Add appropriate frame color/finish code to the end of the unit model # when ordering.			

FRAMELESS HINGE SHOWER DOOR 6300 Series



Colors/Finishes

- Refer to the Price Book for current frame finish and glass options



Product Diagram