



Ensemble™

48" Tile Shower with Backer Boards

72120106



Features

- Modular design allows it to be moved around corners and through doorways with ease.
- Durable high gloss finish.
- Convenient shelves provide generous storage space.
- Shaving ledge/foot rest for added comfort.
- Realistic tile wall surround.
- 48" (1219 mm) x 34" (864 mm) x 75-3/4" (1926 mm) complete unit finished dimensions.

Material

- Compression molded from our exclusive Vikrell® material.

Installation

- Tongue-and-groove four piece modular design allows for easy snap together installation.
- Wall surround includes backer boards for future grab bar installation.
- Some caulk required for proper installation.

Components

Product includes:

- 72105106 36" Shower End Wall Set with Backer Boards
- 72121100 48" Shower Base
- 72122106 48" Shower Back Wall with Backer Boards



Codes/Standards

- CSA B45.5/IAPMO Z124
- ASTM E162
- ASTM E662
- Greenguard UL 2818 - Gold



STERLING® Warranty - Fixtures Made of Solid Vikrell Material

See website for detailed warranty information.

Available Color/Finishes

Color tiles intended for reference only.

Color	Code	Description
-------	------	-------------

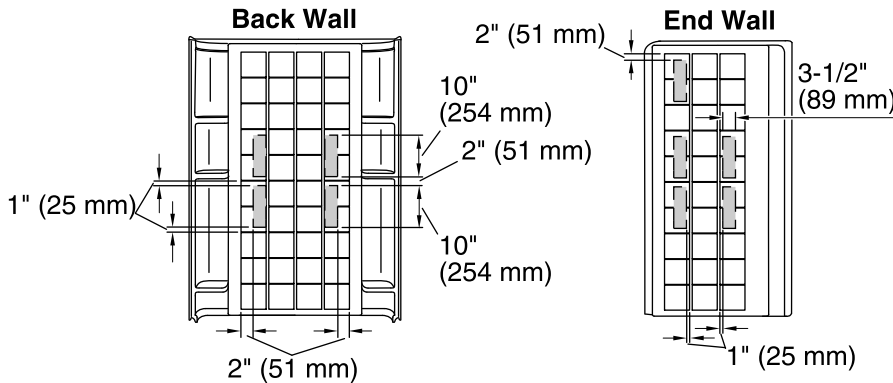
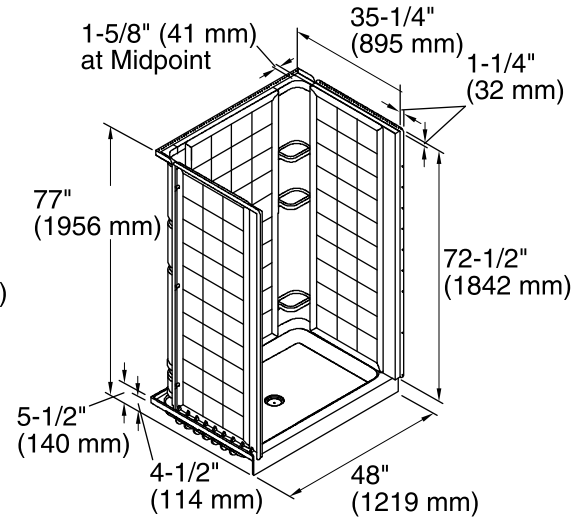
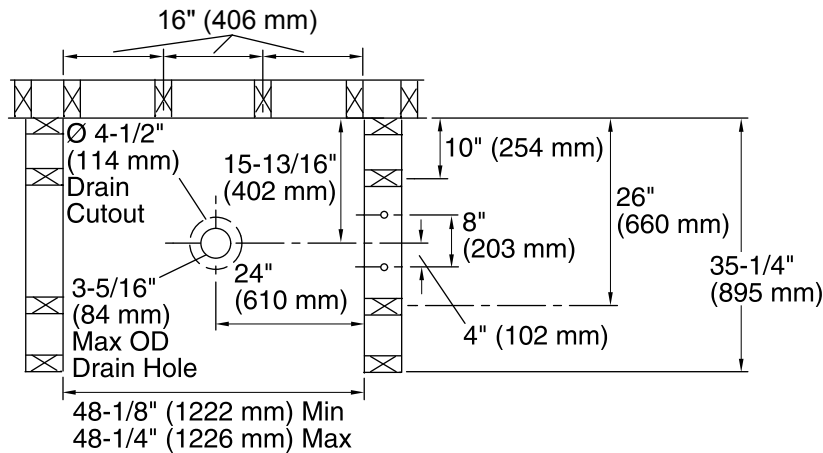
- | | | |
|--|----|---------|
|  | 0 | White |
|  | 96 | Biscuit |

USA/Canada: 1-800-STERLING (1-800-783-7546)


Kohler Co. reserves the right to make revisions without notice to product specifications.

For the most current Specification Sheet, go to www.sterlingplumbing.com.

8-11-2015 01:22



Note: Right and left end walls are the same, only mirrored.

 Backer board locations

Technical Information

All product dimensions are nominal.

Installation: 3-Wall Alcove

Drain location: Center

Door height required: 70-1/2" (1791 mm)

Door width required: 44-5/8" (1133 mm)

Notes

Install this product according to the installation guide.

Double studding is recommended for pivot shower door installations.

Studs should be positioned roughly as shown.

Attach grab bars at the specified backer board locations only.