

STERLING®

A KOHLER COMPANY

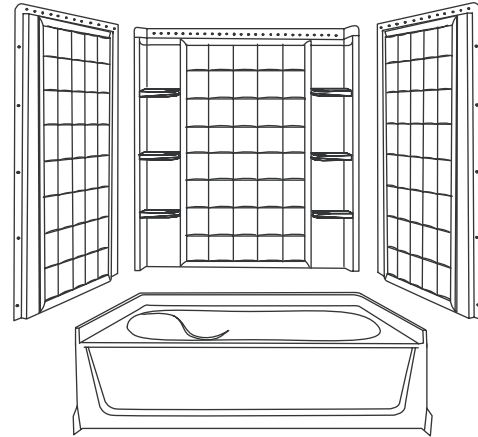
ENSEMBLE™

Features

- Bath and integral apron eliminates installation step
- Compression molded from our exclusive solid Vikrell® material
- Modular 4-piece design
- Lightly pebbled bottom surface for sure footing
- Tongue-and-groove 4-piece modular design allows for easy "snap together" installation
- Durable high-gloss finish
- 10-year consumer/3-year commercial limited warranty
- Gentle sloping back, neck, and armrest in bath design
- Wall surround allows for attachment of grab bars
- Available with above-the-floor drain
- 60-1/4" (153 cm) x 37-1/2" (95.3 cm) x 73-1/4" (186.1 cm) complete unit rough-in dimensions
- 60" (152.4 cm) x 36" (91.4 cm) x 72" (182.9 cm) complete unit finished dimensions

36" (91.4 cm) OVAL BATH/SHOWER SYSTEM WITH BACKER BOARDS

71100116



Codes/Standards Applicable

Specified model meets or exceeds the following:

- ANSI Z124.1.2
- ASTM E162
- ASTM E662
- CSA B45

Colors/Finishes

- 0: White
- Other: Refer to Price Book for additional colors/finishes

Specified Model

Model	Complete Unit Description	Colors/Finishes	
71100116	Oval bath/shower system and wall surround with backer boards, left drain	<input type="checkbox"/> 0	<input type="checkbox"/> Other _____
71100118	Oval bath/shower system and wall surround with backer boards, above-the-floor left drain	<input type="checkbox"/> 0	<input type="checkbox"/> Other _____
71100126	Oval bath/shower system and wall surround with backer boards, right drain	<input type="checkbox"/> 0	<input type="checkbox"/> Other _____
71100128	Oval bath/shower system and wall surround with backer boards, above-the-floor right drain	<input type="checkbox"/> 0	<input type="checkbox"/> Other _____

Model	Wall Component Description	Colors/Finishes	
71104106	Complete wall set with backer boards	<input type="checkbox"/> 0	<input type="checkbox"/> Other _____

ENSEMBLE™

Technical Information

Fixture*:	
Basin area:	
Bathing well, bottom	40" (101.6 cm) x 21" (53.3 cm)
Bathing well, top	52" (132.1 cm) x 29" (73.7 cm)
To overflow:	
Water depth	11" (27.9 cm)
Capacity	40 gal (151.4 L)
* Approximate measurements for comparison only.	

Model	door maximum width	door maximum height
71100116	58-1/2"	56-1/2"
71100118	(148.5 cm)	(142.2 cm)
71100126		
71100128		

Installation Notes

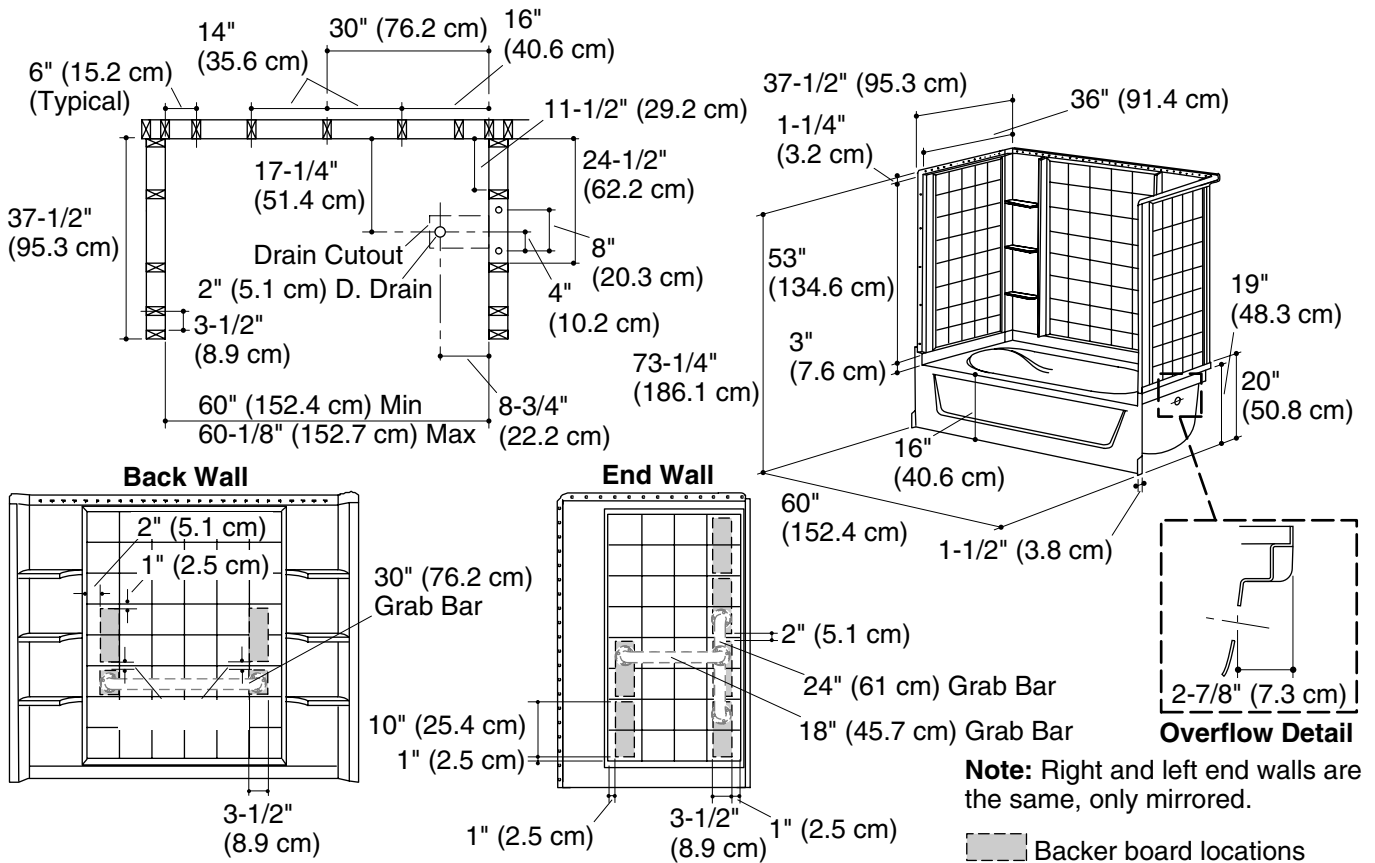
Install this product according to the installation guide.

Size the drain cutout to fit the drain assembly that will be used.

Double studding is recommended for pivot shower door installations.

Studs should be positioned roughly as shown.

Attach grab bars at the specified backer board locations only.



Product Diagram

ENSEMBLE™ 36" (91.4 cm) OVAL BATH/SHOWER SYSTEM WITH BACKER BOARDS