

STERLING®

A KOHLER COMPANY

ENSEMBLE™

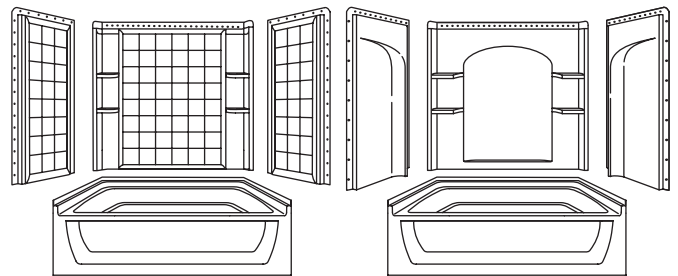
Features

- Compression molded from Sterling's exclusive solid Vikrell® material
- Modular 4-piece design
- Lightly pebbled bottom surface for sure footing
- Tongue-and-groove "snap together" design
- Durable high gloss finish
- 10-year consumer/3-year commercial limited warranty
- Integral apron with removable access panel
- 18" (45.7 cm) bath depth (floor to top of dam)
- 2" (5.1 cm) wainscot/tile ledge
- 60" (152.4 cm) x 33-1/4" (84.5 cm) x 75-1/4" (191.1 cm) complete unit rough-in dimensions include flanges
- 60" (152.4 cm) x 32" (81.3 cm) x 74" (188 cm) complete unit finished dimensions

32" (81.3 cm) BATH/SHOWER WITH ACCESS PANEL SYSTEM

71120117

ALSO 71120127, 71220117, 71220127



71120117

71220117

Codes/Standards Applicable

Specified model meets or exceeds the following:

- ASTM E162
- ASTM E662
- ANSI Z124.1.2
- IAPMO/UPC
- CSA B45
- ASTM F462 Slip Resistance

Colors/Finishes

- 0: White
- Other: Refer to Price Book for additional colors/finishes

Specified Model

Model	Complete Unit Description	Colors/Finishes	
71120117	32" (81.3 cm) bath/shower with access panel system, tile wall, left drain (shown)	<input type="checkbox"/> 0	<input type="checkbox"/> Other _____
71120127	32" (81.3 cm) bath/shower with access panel system, tile wall, right drain	<input type="checkbox"/> 0	<input type="checkbox"/> Other _____
71220117	32" (81.3 cm) bath/shower with access panel system, curve wall, left drain (shown)	<input type="checkbox"/> 0	<input type="checkbox"/> Other _____
71220127	32" (81.3 cm) bath/shower with access panel system, curve wall, right drain	<input type="checkbox"/> 0	<input type="checkbox"/> Other _____

ENSEMBLE™

Technical Information

Fixture*:	
Bathing well	42" (106.7 cm) x 20" (50.8 cm)
Top area	54" (137.2 cm) x 26" (66 cm)
To overflow:	
Water depth	13-3/4" (34.9 cm)
Capacity	55 gal (208.2 L)
* Approximate measurements for comparison only.	

Model	door maximum width	door maximum height
71120117, 71120127, 71220117, 71220127	57-11/16" (146.5 cm)	55-1/2" (141 cm)

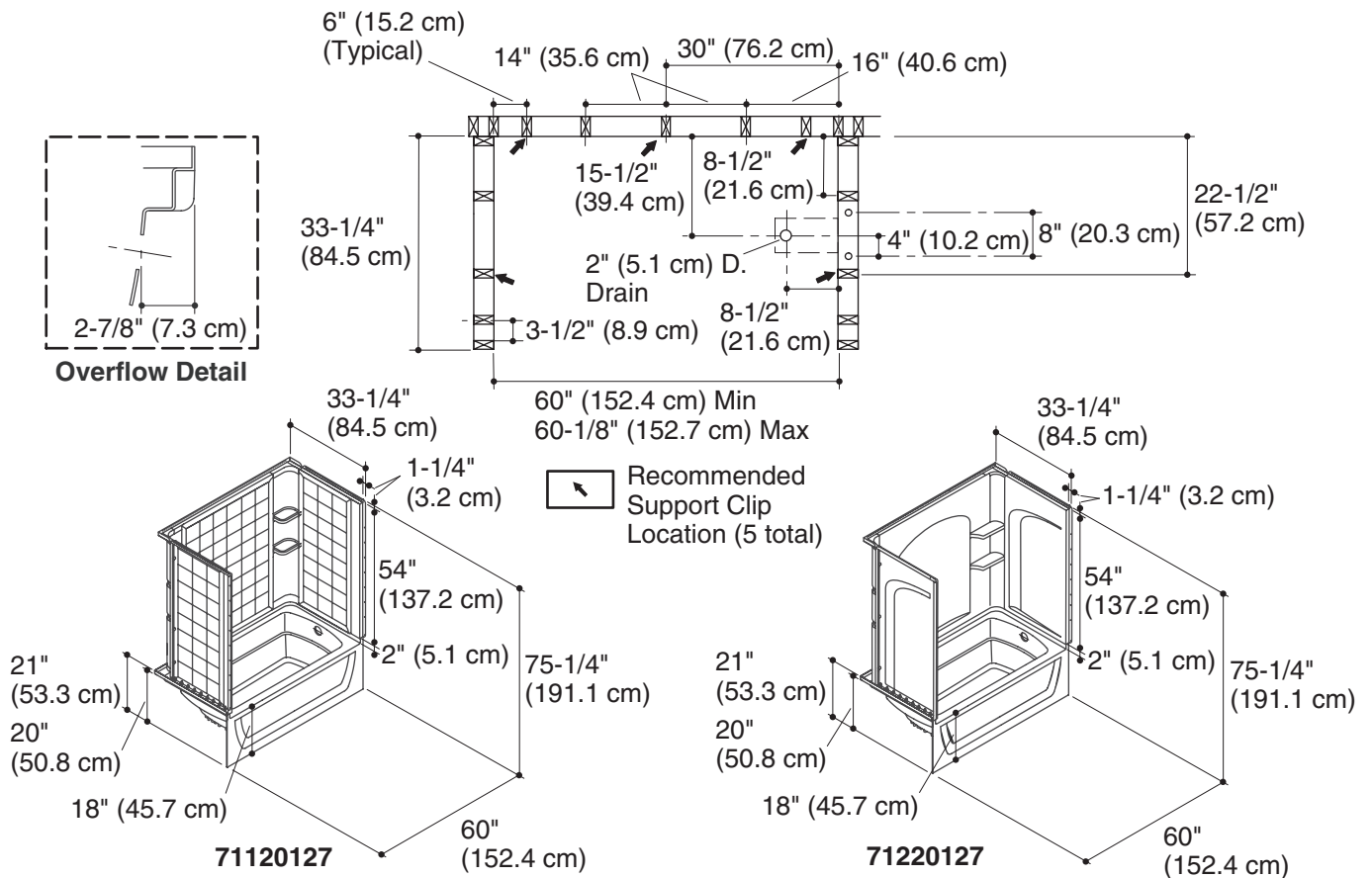
Installation Notes

Install this product according to the installation guide.

Size the drain cutout to fit the drain assembly that will be used.

Stud positioning is critical.

Studs should be positioned roughly as shown for support clip or roofing nail installation.



Product Diagram

ENSEMBLE™ 32" (81.3 cm) BATH/SOWER WITH ACCESS PANEL SYSTEM