



Features

- Modular design allows it to be moved around corners and through doorways with ease.
- Durable high gloss finish.
- Geometric back wall provides visual interest and ample storage space.
- 20" (508 mm) bath depth (floor to top of threshold).
- 60" (1524 mm) x 36" (914 mm) x 76-1/4" (1937 mm) complete unit finished dimensions.
- Includes factory installed backer boards for future grab bar installation.

Material

- Compression molded from our exclusive Vikrell® material.

Installation

- Four-piece modular design with pivot "snap together" installation.
- Caulk-less seam installation.

Components

Product includes:

- 71164106 60" x 36" Bath/Shower Wall Set with Backer Boards
- 71161120 60" x 36" Bath



Codes/Standards

- CSA B45.5/IAPMO Z124
- ASTM E162
- ASTM E662
- Greenguard UL 2818 - Gold
- HUD, UM Bulletin 73



STERLING® Warranty - Fixtures Made of Solid Vikrell Material

See website for detailed warranty information.

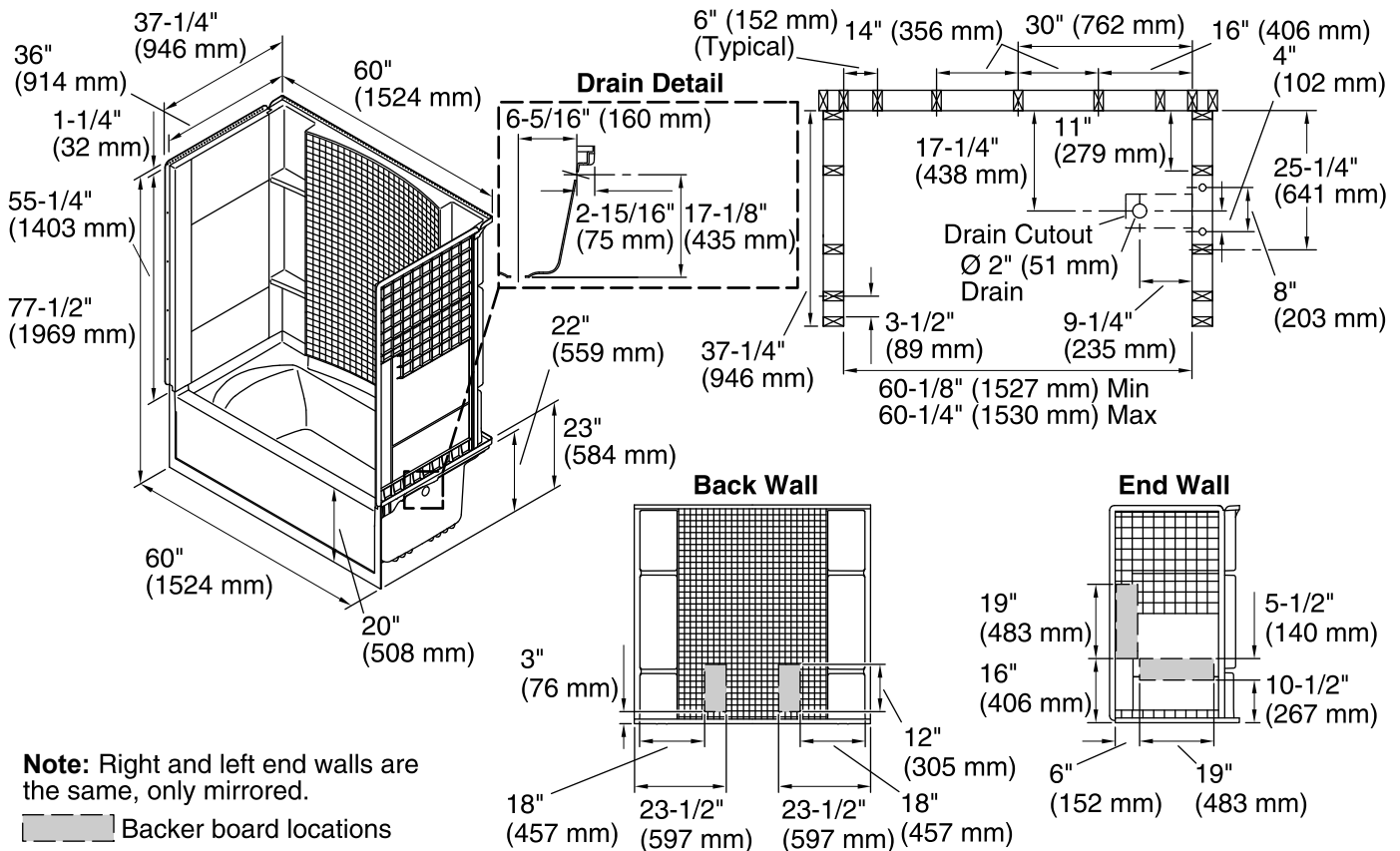
Available Color/Finishes

Color tiles intended for reference only.

Color Code Description

-  0 White
-  96 Biscuit

60" x 36" Bath/Shower with Backer Boards 71160126



Technical Information

All product dimensions are nominal.

Installation: 3-Wall Alcove

Drain location: Right

Basin area, bottom: 22-7/8" x 46" (581 mm x 1168 mm)

Basin area, top: 24-7/8" x 50-7/8" (632 mm x 1292 mm)

Water depth: 15-1/8" (384 mm)

Water capacity: 70 gal (265 L)

Door height required: 55-7/8" (1419 mm)

Door width required: 56-3/4" (1441 mm)

Notes

Install this product according to the installation guide.

Double studding is recommended for pivot shower door installations.

Studs should be positioned roughly as shown.

Attach grab bars at the specified backer board locations only.