

STERLING®

A KOHLER COMPANY

ENSEMBLE™

Features

- Compression molded from our exclusive solid Vikrell® material
- Bath and integral apron eliminates installation step
- Durable high-gloss finish
- Tongue-and-groove 4-piece modular design allows for easy "snap together" installation
- Caulkless seam installation
- 10-year consumer/3-year commercial limited warranty
- 2" (51 mm) wainscot/tile ledge
- 18" (457 mm) bath depth (floor to top of threshold)
- 60-1/4" (1530 mm) x 33-1/4" (845 mm) x 76-1/4" (1937 mm) complete unit rough-in dimensions include flange
- 60" (1524 mm) x 32" (813 mm) x 75" (1905 mm) complete unit finished dimensions

Codes/Standards Applicable

Specified model meets or exceeds the following:

- CSA B45.5/IAPMO Z124
- ASTM E162
- ASTM E662
- HUD, UM Bulletin 73A
- NAHB Research Foundation, Inc.

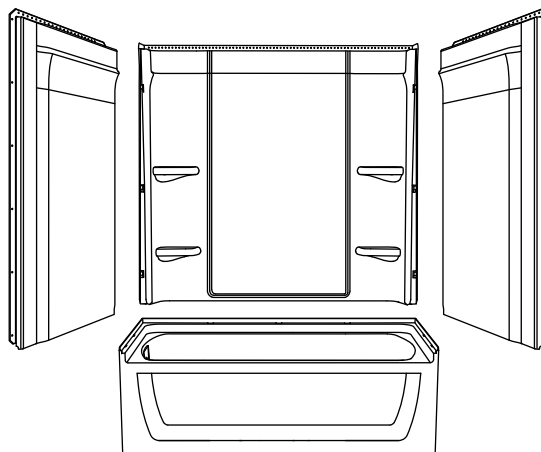
Specified Model

| Model | Complete Unit Description | Colors/Finishes | |
|----------|---|----------------------------|--------------------------------------|
| 71320110 | 32" bath and wall surround, Medley™ wall, left drain | <input type="checkbox"/> 0 | <input type="checkbox"/> Other _____ |
| 71320120 | 32" bath and wall surround, Medley™ wall, right drain (shown) | <input type="checkbox"/> 0 | <input type="checkbox"/> Other _____ |

32" BATH AND WALL SURROUND 71320110 ALSO 71320120



MATERIAL STRENGTH.
PROVEN PERFORMANCE.™



Colors/Finishes

- 0: White
- Other: Refer to Price Book for additional colors/finishes

ENSEMBLE™

Technical Information

| | |
|---|------------------------------|
| Fixture*: | |
| Bathing well: | |
| Basin area, bottom | 42" (1067 mm) x 20" (508 mm) |
| Basin area, top | 54" (1372 mm) x 26" (660 mm) |
| To overflow: | |
| Water depth | 13-3/4" (349 mm) |
| Capacity | 55 gals (208.2 L) |
| * Approximate measurements for comparison only. | |

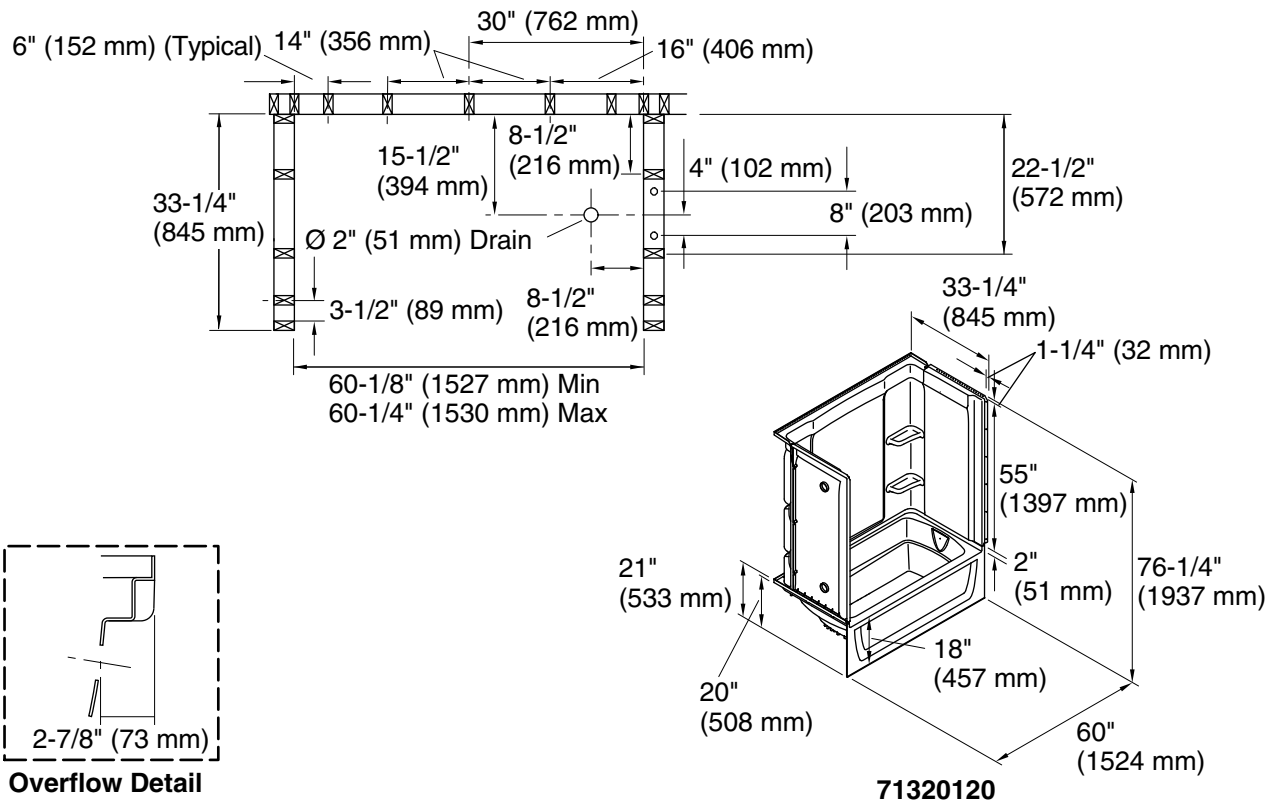
| Model | door maximum width | door maximum height |
|----------|---------------------|---------------------|
| 71320110 | 57-11/16" (1465 mm) | 56-3/4" (1441 mm) |
| 71320120 | | |

Installation Notes

Install this product according to the installation guide.

Size the drain cutout to fit the drain assembly that will be used.

Studs should be positioned as shown.



Product Diagram