

STERLING®

A KOHLER COMPANY

ENSEMBLE™

Features

- Compression molded from our exclusive solid Vikrell® material
- Bath and integral apron eliminates installation step
- Durable high-gloss finish
- Tongue-and-groove 4-piece modular design allows for easy "snap together" installation
- Caulkless seam installation
- 10-year consumer/3-year commercial limited warranty
- 2" (51 mm) wainscot/tile ledge
- 18" (457 mm) bath depth (floor to top of threshold)
- Includes age-in-place factory installed backers for later grab bar installation
- 60-1/4" (1530 mm) x 33-1/4" (845 mm) x 76-1/4" (1937 mm) complete unit rough-in dimensions include flange
- 60" (1524 mm) x 32" (813 mm) x 75" (1905 mm) complete unit finished dimensions

Codes/Standards Applicable

Specified model meets or exceeds the following:

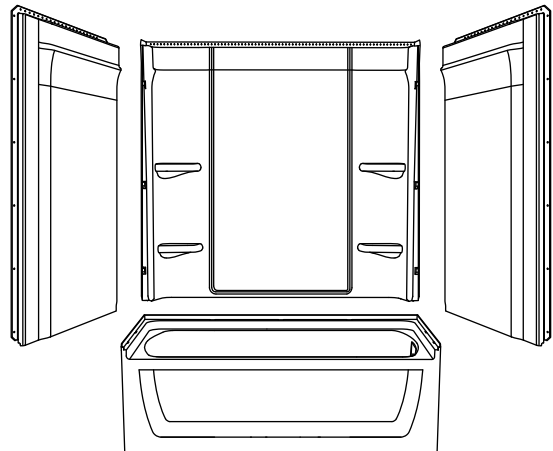
- CSA B45.5/IAPMO Z124
- ASTM E162
- ASTM E662
- HUD, UM Bulletin 73A
- NAHB Research Foundation, Inc.

Specified Model

Model	Complete Unit Description	Colors/Finishes	
71320116	32" bath and wall surround with backer boards, left drain	<input type="checkbox"/> 0	<input type="checkbox"/> Other _____
71320126	32" bath and wall surround with backer boards, right drain (shown)	<input type="checkbox"/> 0	<input type="checkbox"/> Other _____

32" BATH AND MEDLEY™ WALL SURROUND WITH BACKER BOARDS

71320116
ALSO 71320126



Colors/Finishes

- 0: White
- Other: Refer to Price Book for additional colors/finishes

ENSEMBLE™

Technical Information

Fixture*:	
Bathing well:	
Basin area, bottom	42" (1067 mm) x 20" (508 mm)
Basin area, top	54" (1372 mm) x 26" (660 mm)
To overflow:	
Water depth	13-3/4" (349 mm)
Capacity	55 gals (208.2 L)
* Approximate measurements for comparison only.	

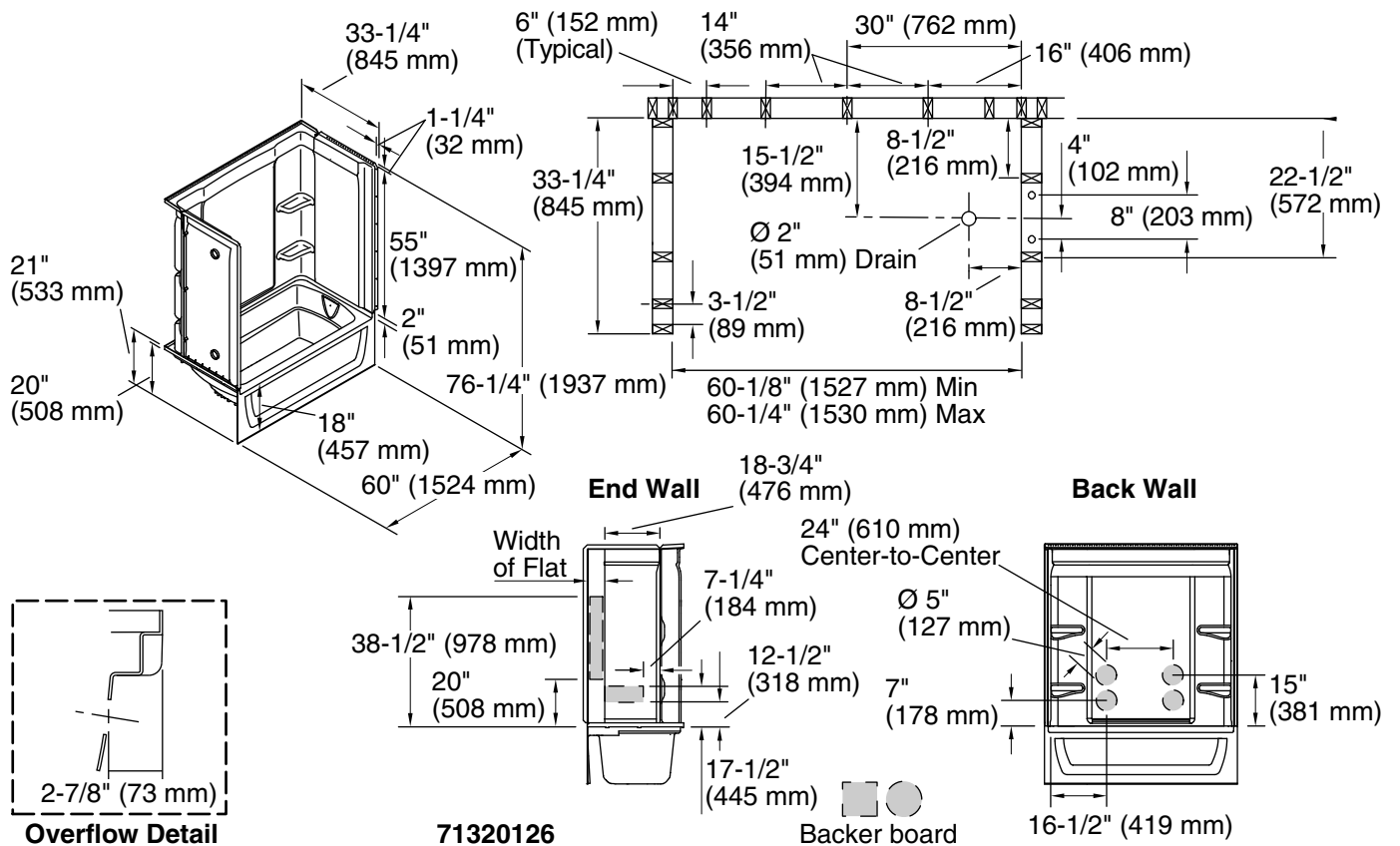
Model	door maximum width	door maximum height
71320116	57-11/16" (1465 mm)	56-3/4" (1441 mm)
71320126		

Installation Notes

Install this product according to the installation guide.

Size the drain cutout to fit the drain assembly that will be used.

Studs should be positioned as shown.



Product Diagram