



# Ensemble™

## 60" x 32" Curve End Drain Shower

### 72180110



#### Features

- Convenient shelves provide generous storage.
- Shaving ledge and foot rest added for comfort.
- Base can be ordered separately.
- Durable high-gloss finish.
- End drain makes it perfect for replacing an existing bath without moving the drain location.
- 60" (1524 mm) x 32" (812 mm) x 74-1/4" (1892 mm) complete unit finished dimensions.

#### Material

- Compression molded from our exclusive solid Vikrell material.

#### Installation

- Tongue-and-groove 4 piece modular design allows for easy "snap together" installation.
- Dry-Block seal and channeled water containment system create watertight seams.

#### Components

Product includes:

- 72232100 60" Shower Back Wall
- 72181110 60" x 32" Shower Receptor
- 72185100 32" Shower End Wall Set



#### Codes/Standards



- CSA B45.5/IAPMO Z124
- ASTM E162
- ASTM E662
- Greenguard UL 2818 - Gold
- HUD, UM Bulletin 73

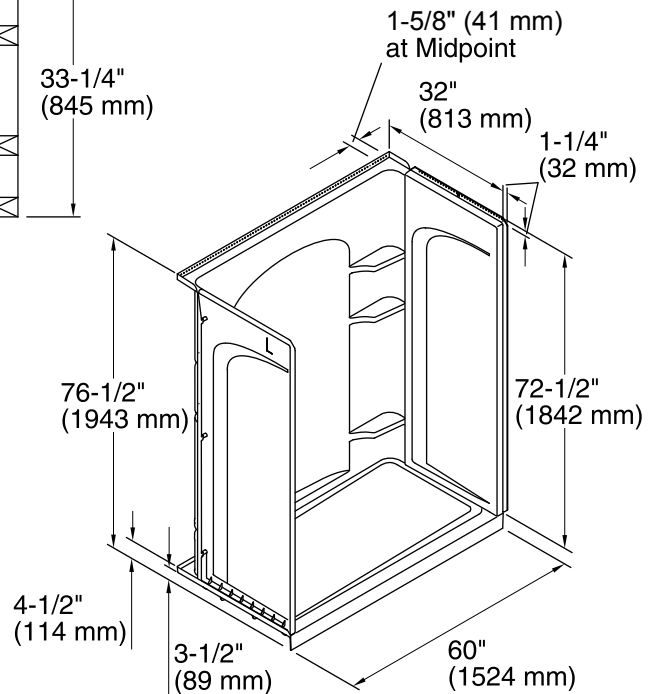
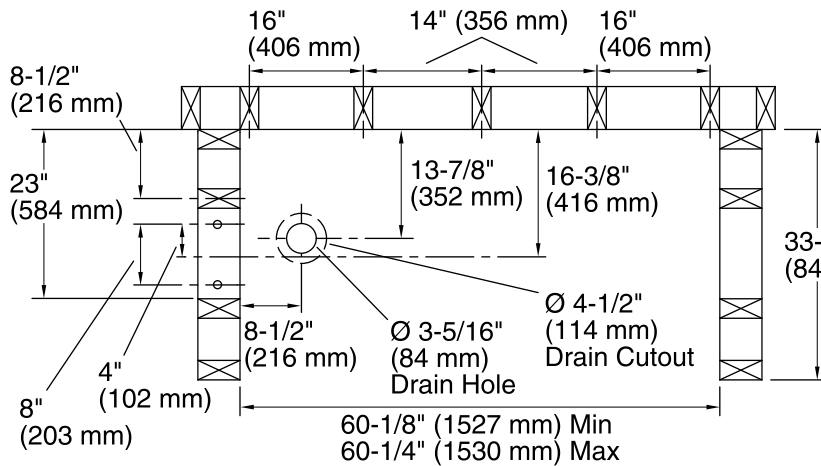
#### STERLING® Warranty - Fixtures Made of Solid Vikrell Material

See website for detailed warranty information.

#### Available Color/Finishes

*Color tiles intended for reference only.*

Color	Code	Description
	0	White
	96	Biscuit



### Technical Information

All product dimensions are nominal.

Installation: 3-Wall Alcove

Drain location: Left

Weight: 125.4 lbs (56.9 kg)

Door height required: 70-1/2" (1791 mm)

Door width required: 56-5/8" (1438 mm)

### Notes

Install this product according to the installation guide.

Double studding is recommended for pivot shower door installations.

Studs should be positioned roughly as shown.