

**NEW**

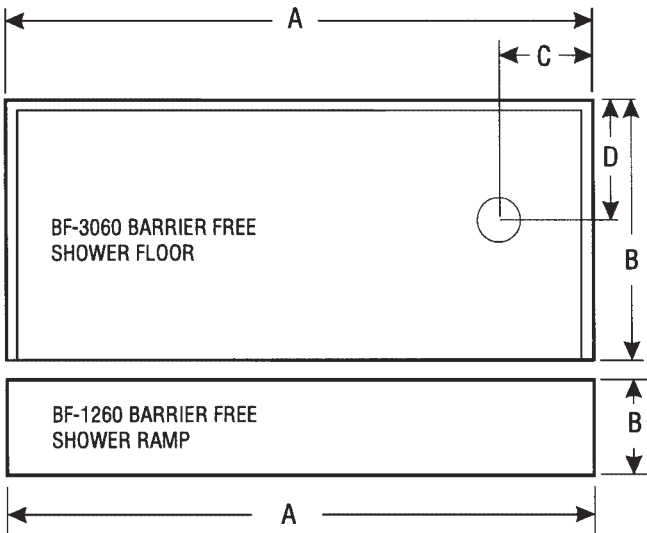
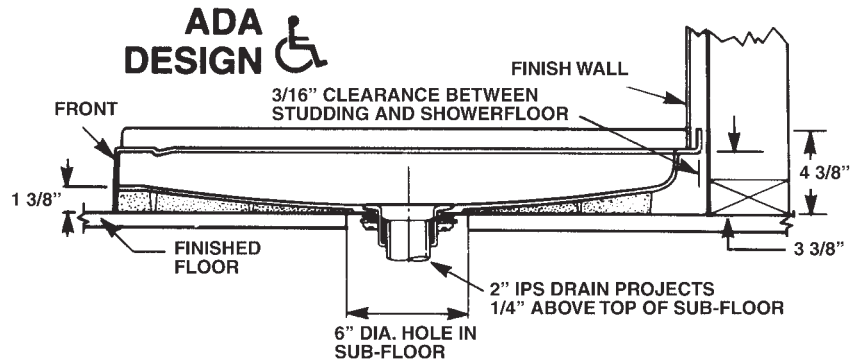
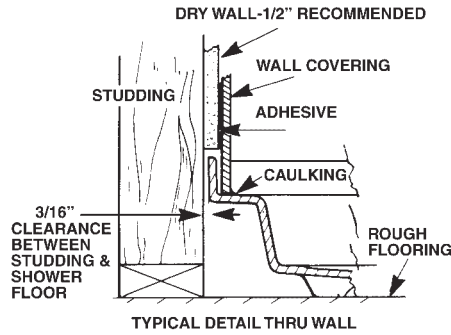
**SWANSTONE**  
Your Strongest Choice.



**BARRIER FREE SHOWER FLOOR & RAMP**

*Installation Instructions*  
Barrier Free Shower Floor and Ramp

CROSS SECTION VIEW



MODEL	SIZE	ROUGH-IN DIMENSIONS			
		A	B	C	D
BF-3060 SHOWER FLOOR	30" X 60"	60-3/8"	30-3/16"	8"	15"
BF-1260 RAMP	12" X 60"	60"	12"	—	—

Shower floor is available in either a right or left side drain.



**INSTALLATION TIPS**

- A. Read instructions carefully and familiarize yourself with the parts.
- B. Be certain the barrier free shower floor is the correct size and in good condition before beginning installation.
- C. Make sure hole in sub-floor or slab is large enough to accommodate drain and will coincide with the hole in the barrier free shower floor. Hole should be 6" in diameter.
- D. Make sure barrier free shower floor is level and all feet of the barrier free shower floor are making firm contact with the sub-floor. It may be necessary to shim under the barrier free shower floor for best overall sub-floor contact. For a more stable installation, it is suggested that the barrier free shower floor be nested in a bed or mortar-type material (Quikrete). Improper installation will void the warranty.
- E. Finished walls may be tiled-in over integral flanges of barrier free shower floor.

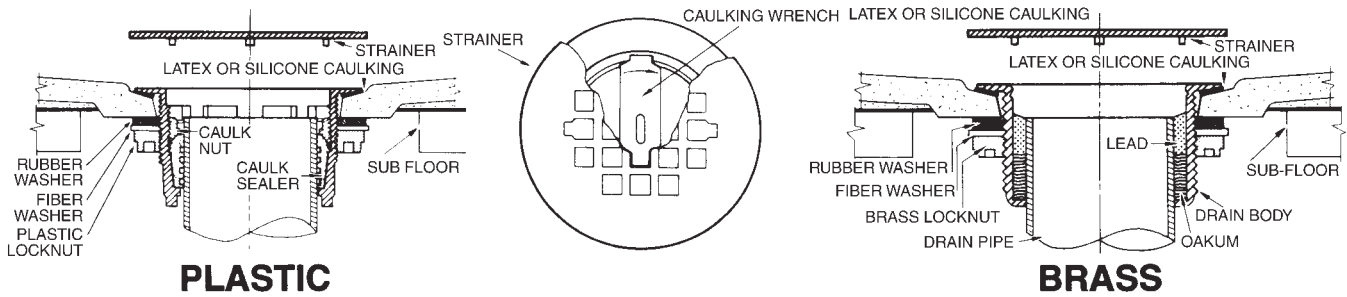
**NOTE:** If the barrier free shower floor installation calls for the barrier free shower floor ramp, it is essential that the stainless steel clips be attached to the threshold of the barrier free shower floor prior to final fit. See the reverse side of this sheet for the correct procedure for attaching these clips.

**PLASTIC SELF-CAULKING TYPE DRAIN**—Install drain to the shower floor. Make sure latex or silicone caulking (not provided) is applied to the underside of drain body flanges and secure it as shown. Do not use oil base caulking or any plastic type drain. May cause drain to break or distort.

**FOR SELF-CAULKING (SPEEDY SEAL)**—Using the caulking wrench provided, screw in caulking nut (clockwise) until it is tight enough to compress sealer. Install strainer by snapping in the drain body.

**BRASS CAULK-TYPE DRAIN**—Install drain to the shower floor making sure latex or silicone caulking (not provided) is applied to the underside of drain body flanges and secure it as shown. Lead drain to waste line and set shower floor on sub-floor or slab making sure it is level and solid. Do not use nails, screws, clips, fasteners, or any type of anchor. This design makes anchoring unnecessary. It will adjust to normal settling of building without damage.

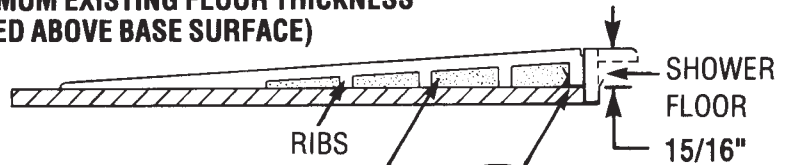
**FOR LEAD AND OAKUM CAULKING**—Pack oakum (not provided) around drain pipe. Pour molten lead (not provided) around drain pipe. Tamp lead carefully. Install strainer by snapping it in the drain body.



**BARRIER FREE SHOWER FLOOR  
SHOWER RAMP INSTALLATION**

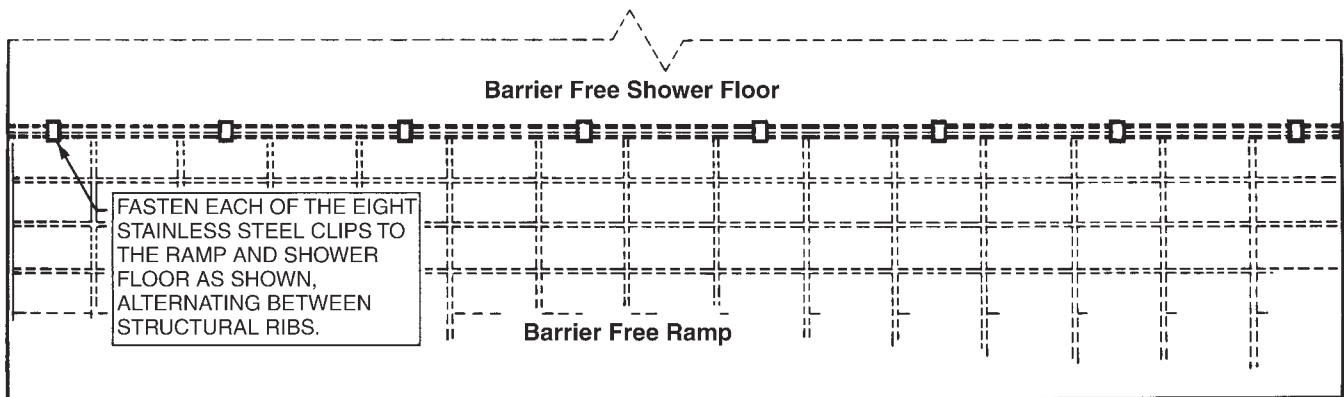
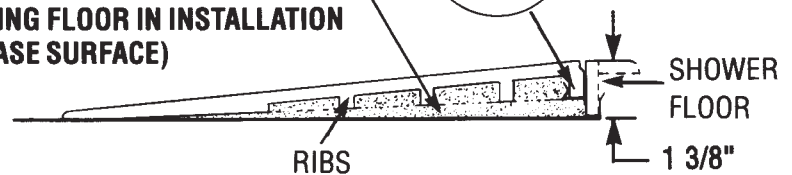
**Note:** If the installation of the barrier free shower floor requires the attachment of the barrier free shower floor ramp, it is essential that the eight stainless steel clips be attached to the threshold of the barrier free shower floor prior to final fit. It is equally important that these clips be supported and are making firm contact with the sub floor. It may be necessary to shim under the barrier free shower floor for best overall subfloor contact. It is suggested that the barrier free shower floor ramp be nested in a bed of mortar type material (Quickrete).

**1/2" MAXIMUM EXISTING FLOOR THICKNESS  
(ESTIMATED ABOVE BASE SURFACE)**



**MUD-IN CEMENT FOR SUPPORT  
IS RECOMMENDED  
(SAME AS SHOWER FLOOR)**

**NO EXISTING FLOOR IN INSTALLATION  
(ABOVE BASE SURFACE)**



**HOW TO CARE FOR YOUR SWANSTONE SHOWER FLOOR**

Solid Swanstone is uniquely impervious throughout its entire thickness. And it maintains its beauty in the most active environments, is easily repaired, and resists stress, thermal cracking, and peeling. Use standard household cleaning agents. No surface coating to wear through. Same material throughout.