

STF-3838



Swanstone Performix Transfer Trench Drain Shower Pan

Manufactured from Swanstone Solid Surface

Recommended for high-use traffic areas and commercial surfaces.

FEATURES

- Compression-molded solid surface with glass reinforcement technology.
- 3/4" low threshold entry.
- Patented wall-to-wall trench system with attractive 304 stainless grate.
- No need to recess slab which provides a cost-saving, easy installation.
- Reinforced solid surface will not mold or mildew, no grout to clean.
- Engineered for strength with molded-in structure supports.
- Slip-resistant, textured bottom surface.
- Coordinates with Swanstone shower systems.
- To be used with Swanstone walls 36" x 48" or larger.
- Warranty: Limited Lifetime - Residential
Limited 30-year - Commercial

Model	Nominal Size	Rough-In Dimensions			
		A	B	C	D
STF-3838 Shower Transfer Pan	38" x 38"	37 1/4"	37 3/16"	18 1/8"	33 1/16"

IMPORTANT: Rough-in dimensions are provided for reference only. You must measure the actual shower pan and check local building code requirements before construction of the stud wall.

SPECIFICATIONS

Model	Part	Ship Wt. Lb.	Carton Dims. In.	Cu. Ft.
STF-3838	ST03838	50	45 x 43 x 10	12

Includes: One code-approved compression-molded Swanstone trench drain shower pan. Standard 2" shower drain sold separately.

Packaging: Each pan packed in a rectangular carton.

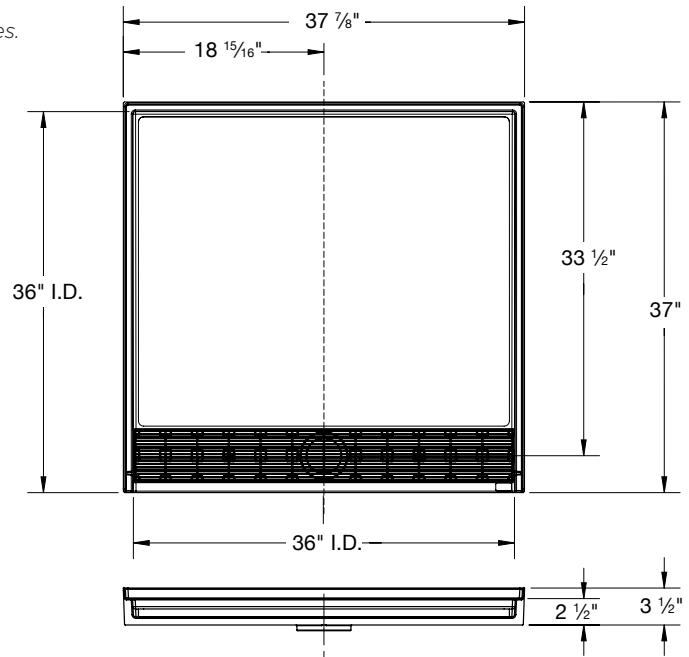
COLORS

Solid Colors:

- White (010)
- Bisque (018)
- Bone (037)

Aggregate Colors:

- Bermuda Sand (040)
- Black Galaxy (015)
- Carrara (221)
- Concrete Ash Gray (203)
- Concrete Birch (226)
- Concrete Charcoal Gray (209)
- Concrete Clay (212)
- Concrete Limestone (218)
- Concrete Sandstone (215)
- Ice (130)
- Tahiti White (011)



STANDARDS AND RATINGS

- ADA
 - FHA/ANSI B
 - HUD UM73a
 - American National Standard Institute—ANSI Z124.1.2
 - International Association of Plumbing and Mechanical Officials (IAPMO)—Listed
 - CSA Standard B45.5 by IAPMO
 - Uniform Plumbing Code (UPC)
 - California Building Code (CBC)/Title 24
- For a complete list of tests and results see the Technical Data Sheet.

MAINTENANCE AND CLEANING INFORMATION

Clean regularly with common household liquid cleaners and a sponge or soft cloth. For hard water stains, scale removers can be used. If necessary, abrasive cleaners can be used with a nylon brush or pad to remove build up on the shower pan surface. **Do not** use a metal-scouring pad or a wire brush, as it will damage the surface. **Do not** use “leave on” cleaning products, such as automatic spray shower cleaners. Prolonged contact with harsh chemicals could have an adverse reaction over time and discolor surfaces. **Do not** use cleaning agents that caution use on acrylic, polyester or plastics.

SUPPORT DOCUMENTS

Installation instructions available at swanstone.com.