



TW-32 High-Gloss 5-Panel Tub Wall Kit

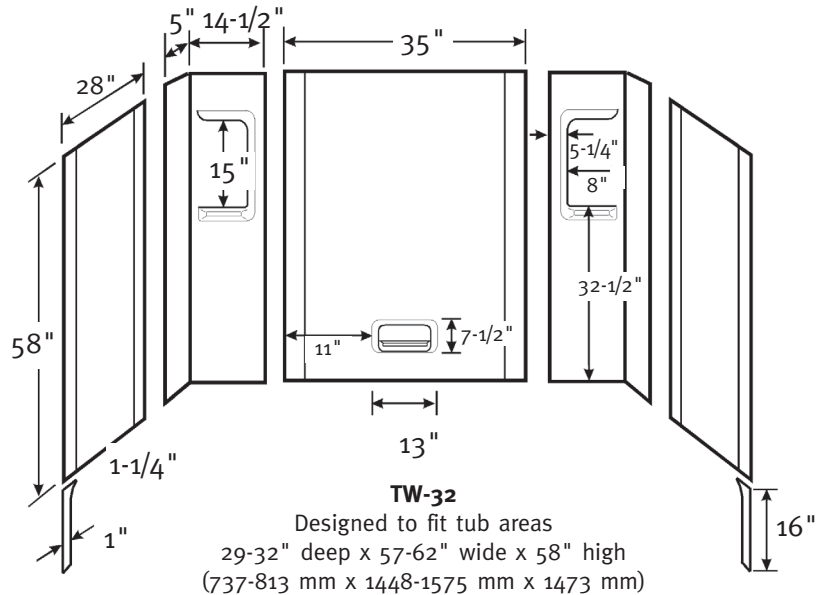
SWAN HIGH-GLOSS TUB WALLS

Manufactured from Swan High-Gloss
(see page 2 for detailed information)

WARRANTY
Limited Lifetime – Residential
Limited 5-year – Commercial

FEATURES

- Will not mold or mildew, no grout to clean
- Ideal for both remodeling projects and new construction
- Ultra-bright, glossy surface comes from durable, baked-on finish
- A variety of colors to choose from to customize a bath
- Three shelves for generous storage space
- The TW-32 is a glue-up 7-piece compression molded unit with a high-gloss, smooth surface
- Patented design keeps shower head spray from aiming at seams



SPECIFICATIONS

TW-32 High-Gloss 5-Panel Tub Wall Kit

Model	Part	Tub Area Designed To Fit	Ship Wt. Lb.	Ship FedEx	Carton Dims. In.	Cu. Ft.
TW-32	TW32000	29-32" D x 57-62" W x 58" H (737-813 mm x 1448-1575 mm x 1473 mm)	59	-	62 x 38 x 7	9.55

Kit Includes: One back panel with molded-in soap dish, two right angle corner panels with molded-in shampoo shelves, two flat side panels, two apron strips, installation materials and complete installation instructions.

Packaging: Each kit is packed in a flat, rectangular carton.
See page 61 for complete listing of all tub wall accessories.

STANDARDS AND RATINGS

Class B fire rating
American Society for Testing and Materials
National Electrical Manufacturers Association

SUPPORT DOCUMENTS

Installation instructions available on line at www.swanstone.com

MADE IN USA.

The Swan Corporation • 515 Olive Street, Suite 1800 • St. Louis, MO 63101 • p (800)325-7008 • f (314)231-8165 • swanstone.com

TUB & SHOWER

COLORS

(See inside back cover for color sample.)

- White (010)
- Bone (037)
- Bisque (018)

MAINTENANCE AND CLEANING INFORMATION

Wash regularly with non-abrasive, liquid cleaners, a sponge, soft cloth or Mr. Clean Magic Eraser. **Do not** use abrasive cleaners or pads. **Do not** use "leave on" cleaning products such as the Automatic Shower Cleaner. Prolonged contact with harsh chemicals could have an adverse reaction over time and discolor your surfaces.