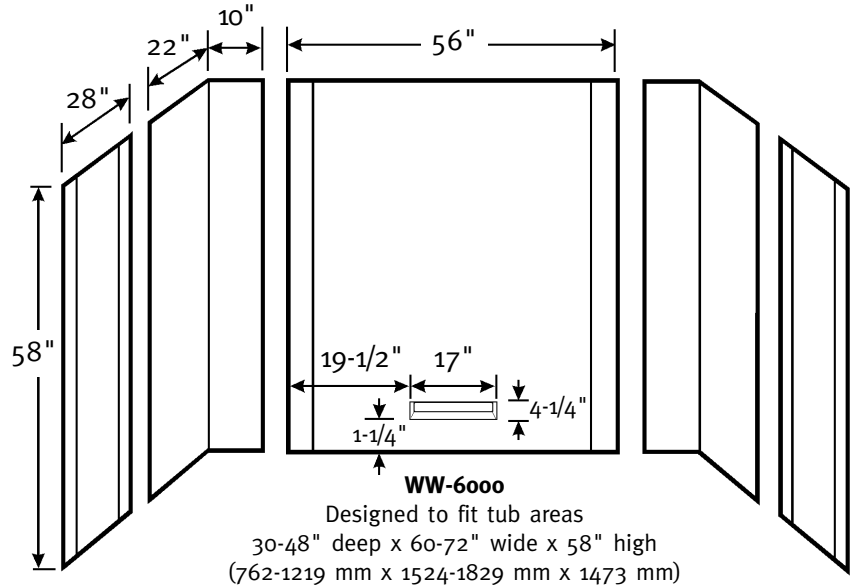


Manufactured from Swan High-Gloss
(see page 2 for detailed information)

WARRANTY
Limited Lifetime – Residential
Limited 5-year – Commercial

FEATURES

- Will not mold or mildew, no grout to clean
- Ideal for both remodeling projects and new construction
- Ultra-bright, glossy surface comes from durable, baked-on finish
- A variety of colors to choose from to customize a bath
- Designed especially for whirlpool tubs
- Durable high-gloss walls will not leak or mildew
- The WW-6000 is a glue-up 5-piece compression molded unit with a high-gloss, smooth surface
- Patented design keeps shower head spray from aiming at seams



SPECIFICATIONS

WW-6000 High-Gloss 5-Panel Tub Wall Kit

Model	Part	Tub Area Designed To Fit	Ship Wt. Lb.	Ship UPS	Carton Dims. In.	Cu. Ft.
WW-6000	WW6000	30-48" D x 60-72" W x 58" H (762-1219 mm x 1524-1829 mm x 1473 mm)	91	-	61 x 60 x 11	23.30

Kit Includes: One center panel with molded-in soap dish, two right angle corner panels, two side panels, installation materials and complete installation instructions.
Packaging: Each kit is packed in a flat, rectangular carton.
See page 57 for complete listing of all tub wall accessories.

COLORS

(See inside back cover for color sample.)

- White (010)
- Bone (037)
- Bisque (018)

STANDARDS AND RATINGS

Class B fire rating
American Society for Testing and Materials
National Electrical Manufacturers Association

SUPPORT DOCUMENTS

Installation instructions available on line at www.swanstone.com

 **MADE IN USA.**

**MAINTENANCE AND
CLEANING INFORMATION**

Wash regularly with non-abrasive, liquid cleaners, a sponge, soft cloth or Mr. Clean Magic Eraser. **Do not** use abrasive cleaners or pads. **Do not** use "leave on" cleaning products such as the Automatic Shower Cleaner. Prolonged contact with harsh chemicals could have an adverse reactive over time and discolor your surfaces.