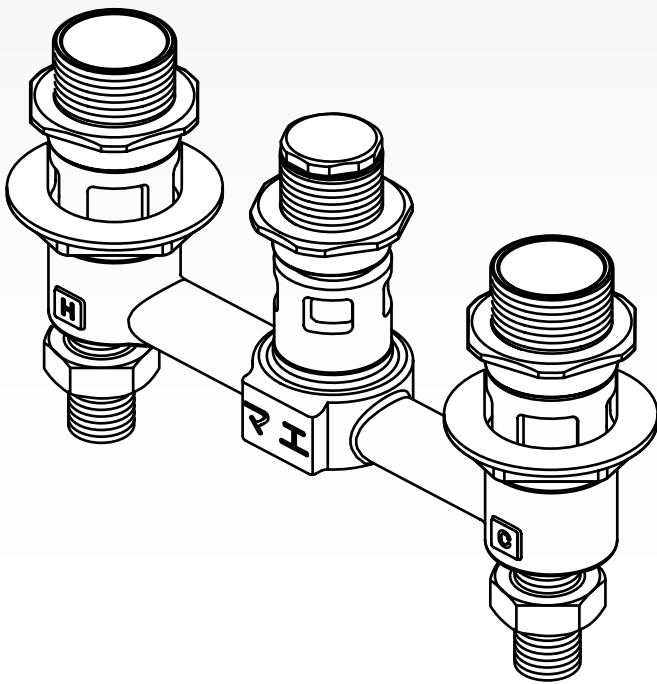


TOTO®

Installation and Owner's Manual

Deck-Mounted Bath Faucet Valve TBKT

RENESSE™



English

Español

Français

Contents

Important Safeguards-----	1
Specifications -----	2
Before Installation-----	2
Set-Up Drawing -----	3
Components -----	3
Installation Procedure -----	4~5
Replacement Parts-----	6
Warranty-----	7

● Thank you for your recent purchase of the TOTO® product. Please read the enclosed information to ensure the safe use of your product.



Important Safeguards





(For your safety please follow the instructions below)

Read the "Important Safeguards" section thoroughly before installing the product.



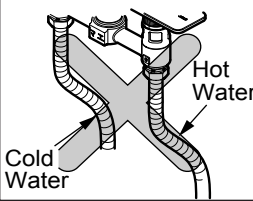
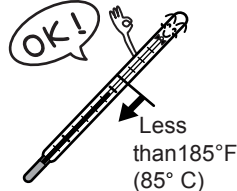

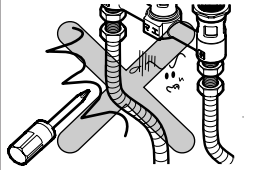
- The following symbols indicate safe and proper use of the product. Failure to observe them may result in injury or property damage.



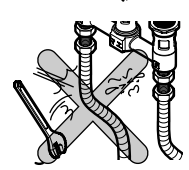

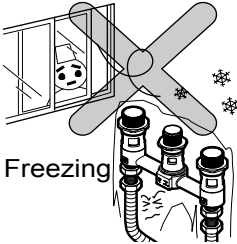
- The following table demonstrates the use of safety symbols in this manual.

 Warning	Failure to observe this symbol may result in serious injury.
 Caution	Failure to observe this symbol may result in injury or property damage.

	 Absolutely Do NOT. Do not disassemble
	 Mandatory!

ENGLISH

 Warning		
 Do Not	Do not reverse the hot and cold water inlets. You may be scalded if they are reversed.	
	Do not use hot water supply that is higher than 185°F (85°C). Do not use steam as hot water supply. If water is hotter than 185°F is used. If it is broken, property damage, scalding, and other injuries may occur.	
 Do not disassemble	Do not disassemble or modify the item in any way not described in this manual. If the system is broken, property damage, scalding and other injuries are likely to occur.	

 Caution		
 Do Not	Do not strike or kick the product. If the system is broken, property damage, scalding, and other injuries may occur.	
 Mandatory	Do not use the product at temperature exceeding what local codes allow. If parts are damaged, property damage, scalding and other injuries may occur.	

Specification

Water Supply Pressure	Minimum pressure	20 psi (0.14MPa) (flowing pressure)
	Maximum pressure	125 psi (0.86MPa) (static) Check local building code
Supplied Water Temperature		Less than 185°F (85°C)
Water Quality		Water that meets National/Primary drinking water regulation
Ambient Temperature		34 -104°F (2 - 40°C)
Water Supply Connection		1/2" NPSM
Humidity		Maximum 90% RH

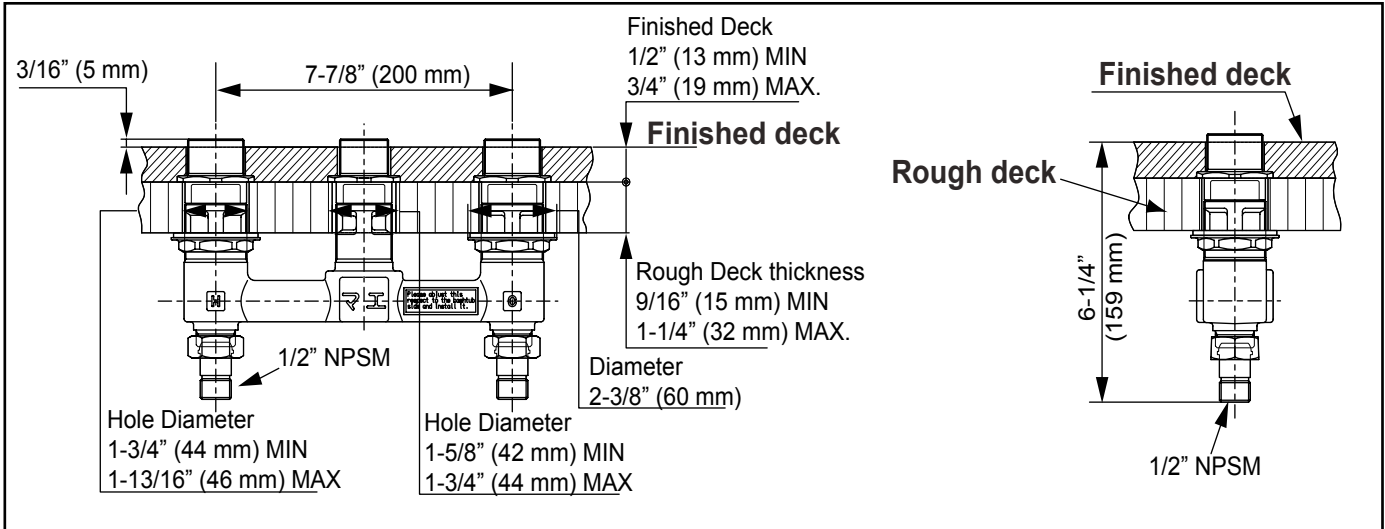
Depending on the model, some specifications may differ.

Before installation

- Observe all local plumbing codes.
 - Make sure water supply is shut off.
 - Read these instructions carefully to ensure proper installation.
 - Check to make sure you have the following parts indicated below.
- If the water supply pressure is higher than 125psi (0.86MPa), you should buy a reducing valve to reduce the pressure to the range of 0.2-0.3MPa.
To use the faucet comfortably, the recommended pressure is about 30-45 psi (0.2-0.3MPa).
 - To prevent being scalded due to malfunction, the cold water supply pressure must be higher than the hot water pressure, or you can make them equal. In addition, if you increase the pressure of the hot water, it still must be lower than that of cold water supply side.
 - To prevent being scalded due to wrong operation, it is recommended the hot water supply temperature is 140°F (60°C).
 - For ease of water flow adjustment and inspection with tools, you should prepare an extra stop valve.

Set-up Drawing

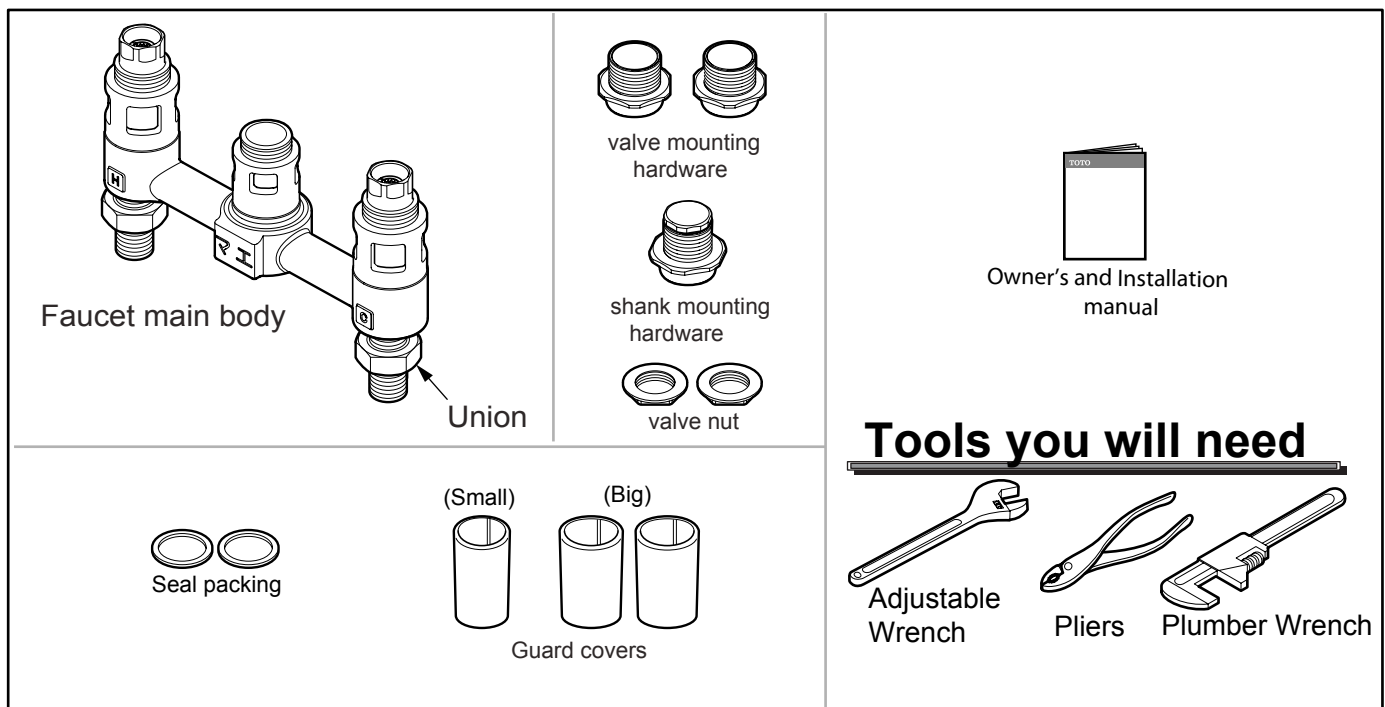
*Some parts may be different from the illustration depending on the model.



ENGLISH

Components

Check that you have got the following parts.



Installation Procedure

*The figures may differ from your product depending on the model.

1 Clean cold/hot water pipe

Before installation, **dirt and debris in the cold/hot water pipes must be washed out.**



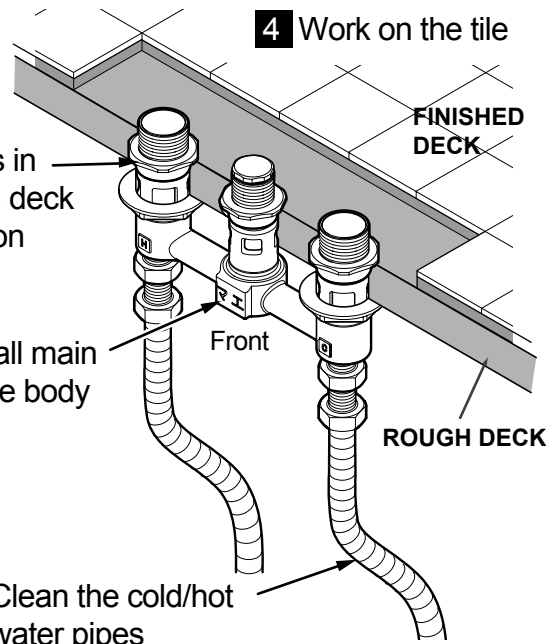
The valve is to be installed on the rough deck before finished tiles are put on.

2 Drill holes in the rough deck (installation board)

3 Install main valve body

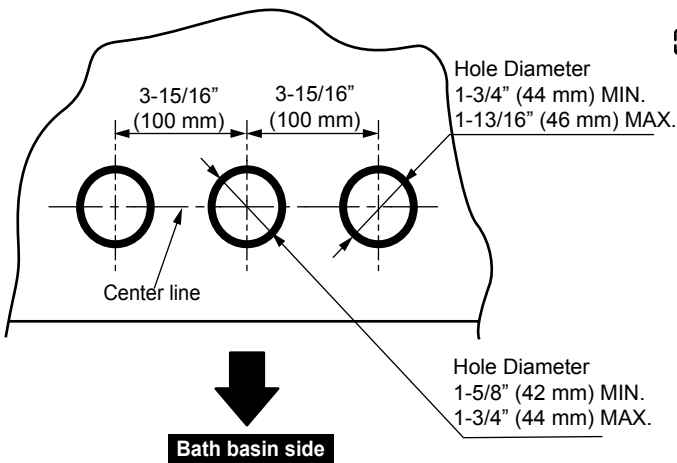
1 Clean the cold/hot water pipes

4 Work on the tile



2 Drill holes in the rough deck

Drill installation holes in the rough deck according to the dimensions mentioned below and in Set-up drawings.

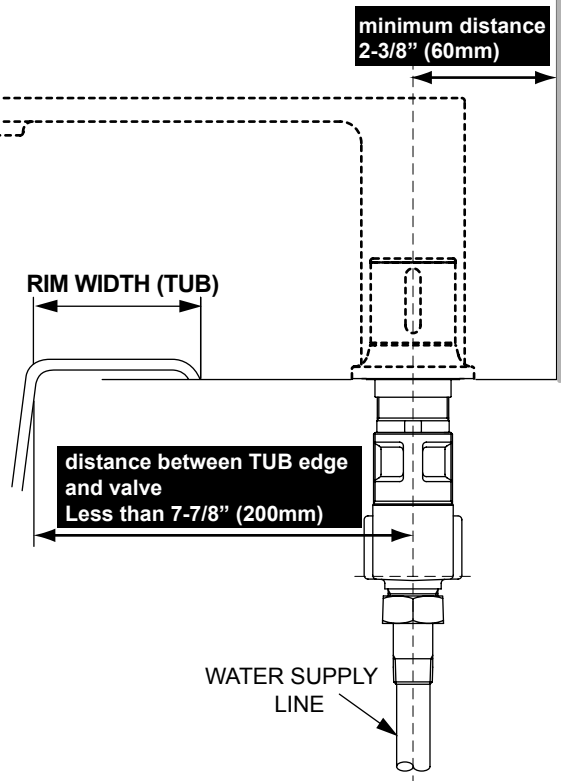


Bath basin side

Caution

Check that the bath basin is parallel to the center line of the faucet installation hole.

FINISHED WALL

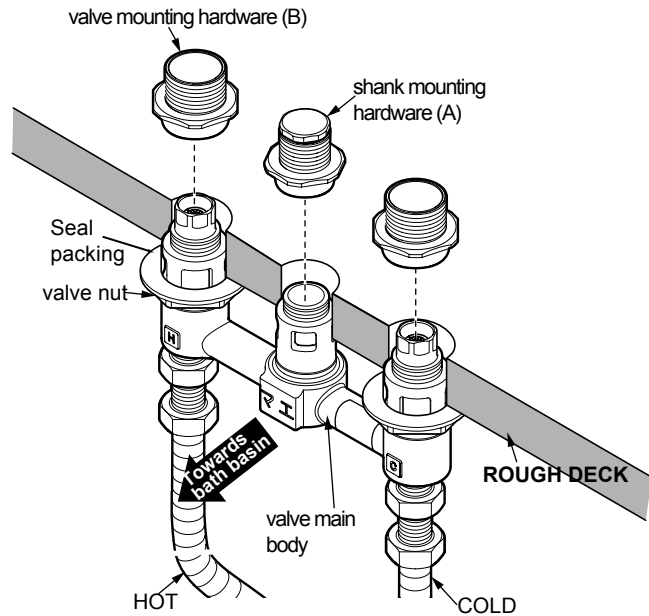


3 Install valve main body

- ① Screw the valve nut and seal packing on the valve main body. Then put it into the installation hole on ROUGH DECK.

CAUTION: Fasten the valve nut and seal packing carefully.

- ② Tighten **A** and **B** securely to the ROUGH DECK.
- ③ Connect cold/hot water pipes.
- ④ Turn the water supply lines (HOT and COLD) and confirm that there is no leak.



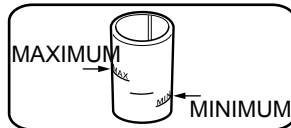
4 Work on the tile

- ① Insert the guard covers.

CAUTION

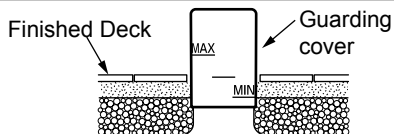
Keep the guard covers in until tile work is completed. Make sure the Finished Deck (TILE) surface is between MAX and MIN on Guard Cover.

- ② Make sure that distance between the valve and Finished Deck between MAX and MIN on Guard Cover.

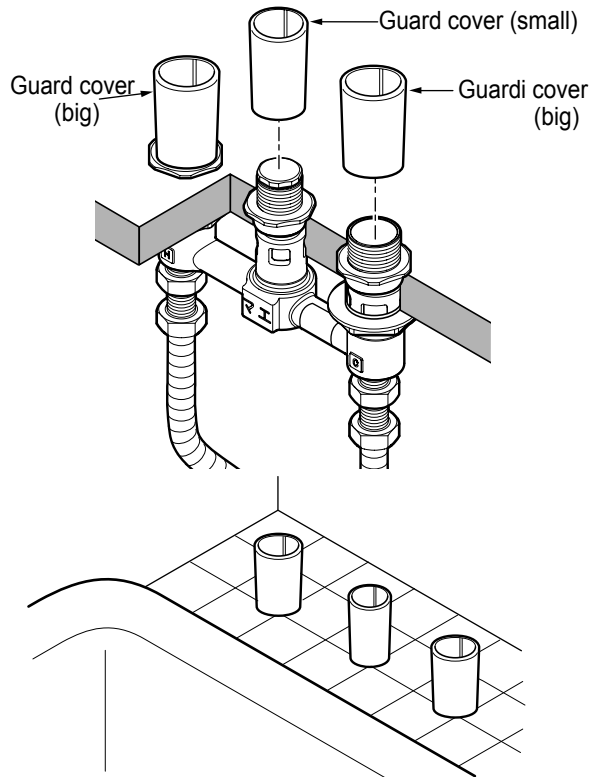


CAUTION

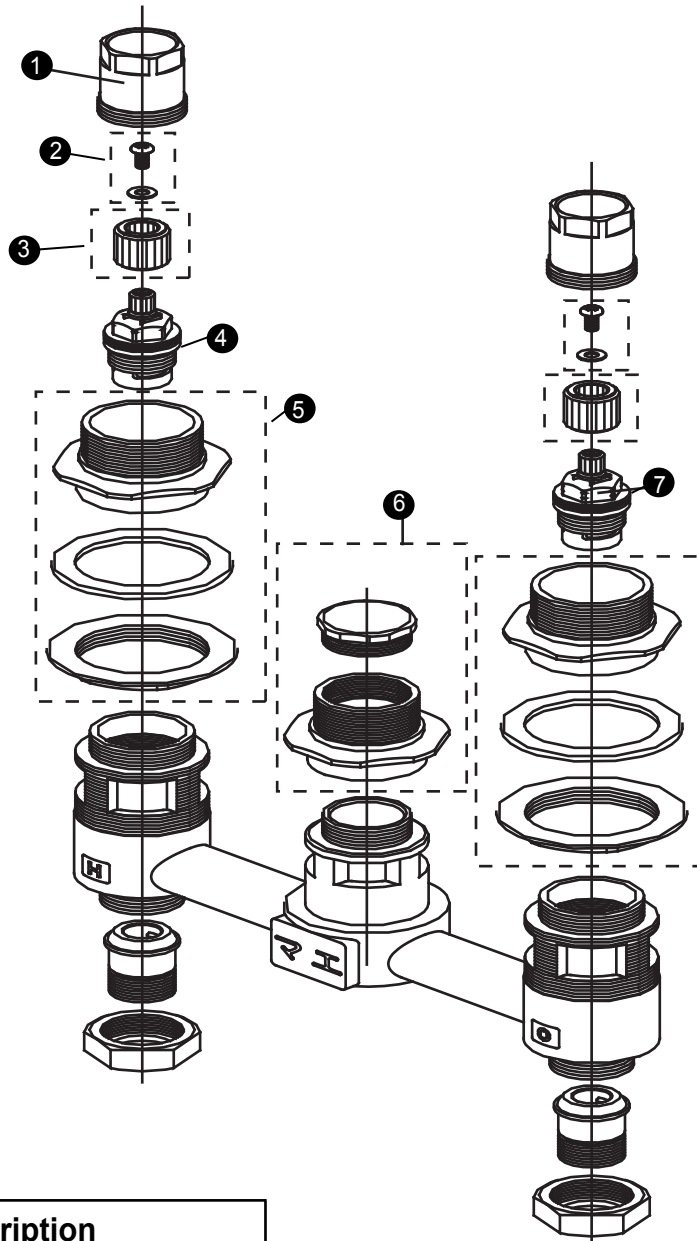
Be careful not to allow the mortar to fall into the inside of the guard covers.



For faucet trim installation, please refer to Owner's and Installation manual of TRIM.



Replacement Parts



No.	Description
1	TOP NUT ADAPTER
2	STEM SCREW & WASHER
3	STEM ADAPTER
4	CARTRIDGE (HOT)
5	VALVE MOUNTING HARDWARE
6	SHANK MOUNTING HARDWARE
7	CARTRIDGE (COLD)



WARRANTY

LIFETIME LIMITED WARRANTY

Warranty applies to selected residential faucets only.

1. TOTO® warrants its faucets ("Product") to be free from defects in materials and workmanship during normal residential use for as long as the original consumer end-user purchaser owns their home. This limited lifetime warranty is extended only to the original consumer end-user purchaser and only so long as the Product remains in use by the original consumer end-user purchaser in its original place of installation in the purchaser's residence. This warranty applies only to Product purchased and installed in North America.
2. TOTO® obligations under this warranty are limited to repair or replacement, at TOTO®'s option, of Product or parts found to be defective in normal residential use, provided that such Product was properly installed and used in accordance with the owner's manual. TOTO® reserves the right to make such inspections as may be necessary in order to determine the cause of the defect.
3. This warranty does not apply to the following items:
 - Damage or loss sustained in a natural calamity such as fire, earthquake, flood, thunder, electrical storm, etc.
 - Damage or loss resulting from any accident, unreasonable use, misuse, abuse, negligence, or improper care, cleaning or maintenance of the Product.
 - Damage or loss resulting from sediments or foreign matter contained in a water system.
 - Damage or loss resulting from improper installation or from installation of the Product in a harsh and/or hazardous environment, or improper removal, repair or modification of the Product.
 - Damage or loss resulting from the use of an abrasive cleanser.
4. If the Product is used commercially, TOTO® warrants the Product to be free from defects in materials and workmanship for one (1) year from the date the Product is installed, with all other terms of this warranty applicable except the duration of the warranty.
5. THIS WARRANTY GIVES YOU SPECIFIC LEGAL RIGHTS. YOU MAY HAVE OTHER RIGHTS, WHICH VARY FROM STATE TO STATE OR PROVINCE TO PROVINCE.
6. To obtain warranty repair service under this warranty, you must take the Product or deliver it prepaid to a TOTO® service facility with proof of purchase (original sales receipt) together with a letter stating the problem, or contact a TOTO® distributor or products service contractor, or write directly to TOTO® U.S.A., INC., 1155 Southern road, Morrow, Georgia 30260, (888) 295-8134. If, because of the size of the Product or nature of the defect, the Product cannot be returned to TOTO®, receipt by TOTO® of written notice of the defect together with proof of purchase (original sales receipt) shall constitute delivery. In such case, TOTO® may choose to repair the Product at the purchaser's location or pay to transport the Product to a service facility.

THIS WRITTEN WARRANTY IS THE ONLY WARRANTY MADE BY TOTO®. REPAIR, REPLACEMENT OR OTHER APPROPRIATE ADJUSTMENT AS PROVIDED UNDER THIS WARRANTY SHALL BE THE EXCLUSIVE REMEDY AVAILABLE TO THE ORIGINAL PURCHASER. TOTO® SHALL NOT BE RESPONSIBLE FOR LOSS OF THE PRODUCT OR FOR OTHER INCIDENTAL, SPECIAL OR CONSEQUENTIAL DAMAGES OR EXPENSES INCURRED BY THE ORIGINAL PURCHASER, OR FOR LABOR OR OTHER COSTS DUE TO INSTALLATION OR REMOVAL, OR COSTS OF REPAIRS BY OTHERS, OR FOR ANY OTHER EXPENSE NOT SPECIFICALLY STATED. IN NO EVENT WILL TOTO®'S RESPONSIBILITY EXCEED THE PURCHASE PRICE OF THE PRODUCT. EXCEPT TO THE EXTENT PROHIBITED BY APPLICABLE LAW, ANY IMPLIED WARRANTIES, INCLUDING THAT OF MERCHANTABILITY OR FITNESS FOR USE OR FOR A PARTICULAR PURPOSE, ARE EXPRESSLY LIMITED TO THE DURATION OF THIS WARRANTY. SOME STATES AND PROVINCES DO NOT ALLOW LIMITATIONS ON HOW LONG AN IMPLIED WARRANTY LASTS, OR THE EXCLUSION OR LIMITATION OF INCIDENTAL OR CONSEQUENTIAL DAMAGES, SO THE ABOVE LIMITATION AND EXCLUSION MAY NOT APPLY TO YOU.

TOTO®

©2007 TOTO® USA, Inc. á 1155 Southern Road, Morrow GA 30260
Phone (888)-295-8134 Fax (800)-699-4889 www.totousa.com
TOTO® USA, INC. is a wholly owned subsidiary of TOTO® Ltd.

Printed in August, 2007
0GU3028