

Undercounter Lavatory

FEATURES

- 21-5/8" x 14-5/8"
- Rear overflow
- Optional SanaGloss® ceramic glaze - prevents debris and mold from sticking to ceramic surfaces, leading to fewer chemicals and less water in cleaning
- Mounting assembly complete with installation template and mounting screw set

MODELS

- LT548G
With SanaGloss glazing (#01, #03, #11, #12)
- LT548
Without SanaGloss glazing (#51 only)



SanaGloss

COLORS/FINISHES

- #01 Cotton
- #03 Bone
- #11 Colonial White
- #12 Sedona Beige
- #51 Ebony (not available with SanaGloss)

CODES/STANDARDS

- Meets and exceeds ASME A112.19.2/CSA B45.1
- Certifications: IAPMO(cUPC), State of Massachusetts, City of Los Angeles, and others
- Meets ADA guidelines and ANSI A117.1 requirements when countertop is installed 864mm (34") from finished floor and lavatory is installed 205mm (8-1/8") minimum from front edge.



PRODUCT SPECIFICATION

The undercounter lavatory shall be made of vitreous china. Lavatory shall be 21-5/8" in length and 14-5/8" in width. Product shall be with overflow and lavatory shall include mounting assembly. Lavatory model LT548G shall have SanaGloss ceramic glaze. Lavatory shall be TOTO Model LT548(G)_____.

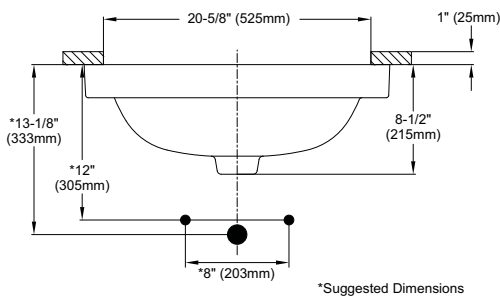
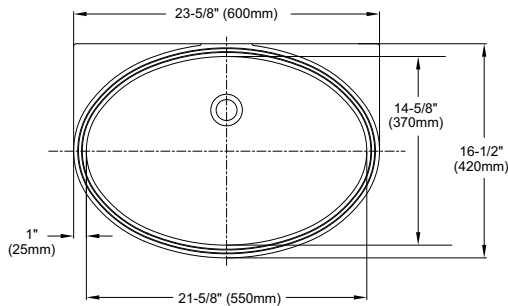
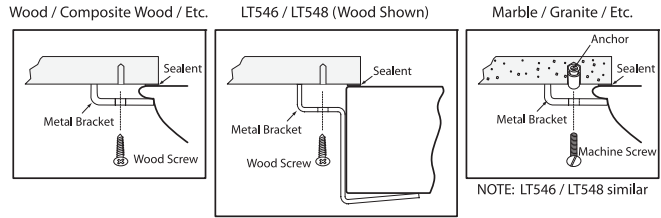
LT548(G)

Undercounter Lavatory

SPECIFICATIONS

- Waste 1-1/4" O.D.
- Size 23-5/8" W x 16-1/2" D
- Basin 21-5/8" W x 14-5/8" D
- Warranty One Year Limited Warranty
- Material Vitreous china
- Shipping Weight 25.5 lbs.
- Shipping Dimensions 24-5/8" W x 17-3/8" L x 11" H

INSTALLATION NOTES



ADA Compliance Check

