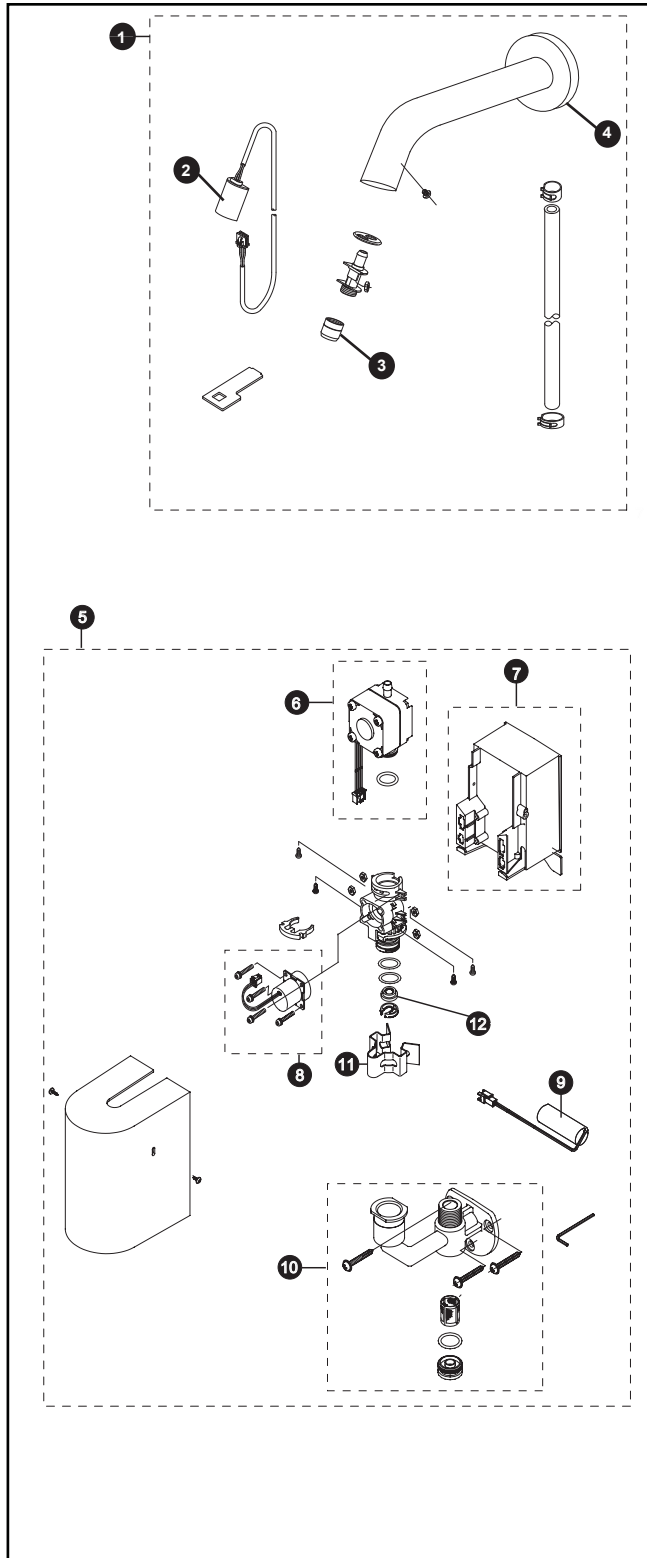


TEL3LW10(R)#CP

TEL3LW10#CP
 TEL3LW10R#CP
 TELLW100#CP (Spout)
 TN78-9V710 (Controller)

Sensor Faucet, Helix™ Wall Mount Spout Self-Generating EcoPower® System Single Supply, 0.5 GPM



Item	Part	Description
1	TELLW100#CP	Spout Assembly
2	TH559EDV436	Sensor
3	THU3048#CP	Nozzle Assembly Set (0.5 GPM Aerator Flow Type)
4	THP3004#CP	Escutcheon
5	TN78-9V710	Controller Assembly
6	TH559EDV562	0.5GPM Dynamo Hydropower Generator
7	TH559EDV559	Single Dynamo Control Unit 10 sec.
8	TH559EDV464	Solenoid and Diaphragm Assembly
9	THP3053	Back-Up Battery
10	TH559EDV466R	Mounting Bracket Set
11	TH559EDV255	Metal Clip
12	TH559EDV570	0.5GPM regulator

Product Number Explanations

Faucet

(T) Fitting
 (E) Electronic
 (L) Lavatory
 (3) Single Supply
 (L) 0.5GPM Generator Type
 (W) Wall Mount
 (10) 10 Second
 (#CP) Polished Chrome