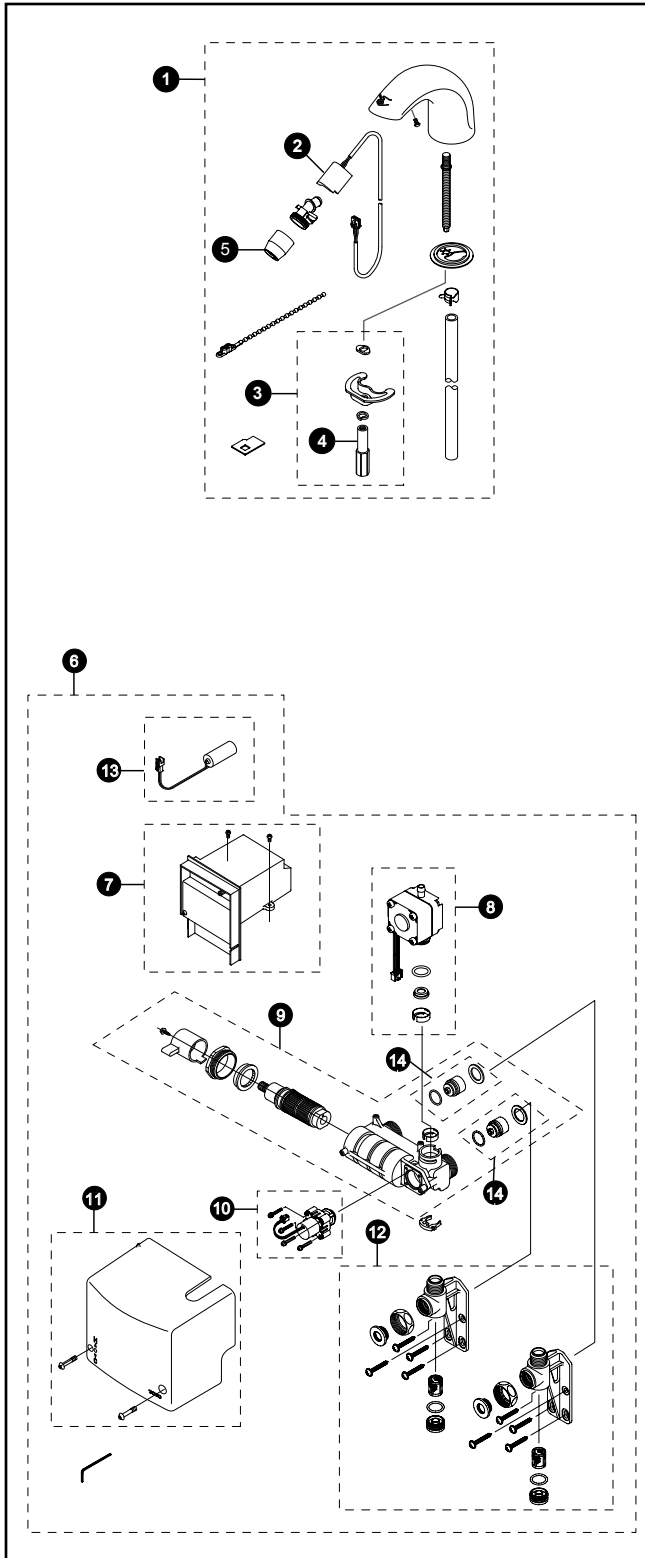


TEL5LS10#CP
 TELS100#\$\$ (Spout)
 TN78-10V710 (Controller)

Sensor Faucet, Standard Spout EcoPower® Self-Generating System Thermal Mixing, 0.5 GPM



Item	Part	Description
1	TELS100#\$\$	Spout Assembly
2	TH559EDV545	Sensor
3	TH559EDV402R	Spout Mounting Kit
4	TH559EDV403R	Spout Nut
5	TH559EDV568	Nozzle Assembly Set (0.5 GPM Aerator Flow Type)
6	TN78-10V710	Controller Assembly
7	TH559EDV560	Thermal Dynamo Control Unit 10 sec.
8	TH559EDV563	0.5 GPM Dynamo & Flow Control Unit
9	TH559EDV469	Thermal Mixing Valve
10	TH559EDV470	Solenoid & Diaphragm Assembly
11	TH559EDV471	Control Cover Set
12	TH559EDV429R	Mounting Bracket Set
13	THP3053	Back-Up Battery
14	TH559EDV472	Check Valve
15	TN71V100S	Cover Plate - 4"
16	71244T8CC	Cover Plate - 8"

Product Number Explanations

- Sensor Faucet**
 (T) Fitting
 (E) Electronic
 (L) Lavatory
 (5) Thermal Mixing
 (L) 0.5 GPM Generator Type
 (S) Standard Spout
 (10) 10 Second
 (#CP) Chrome Finish

