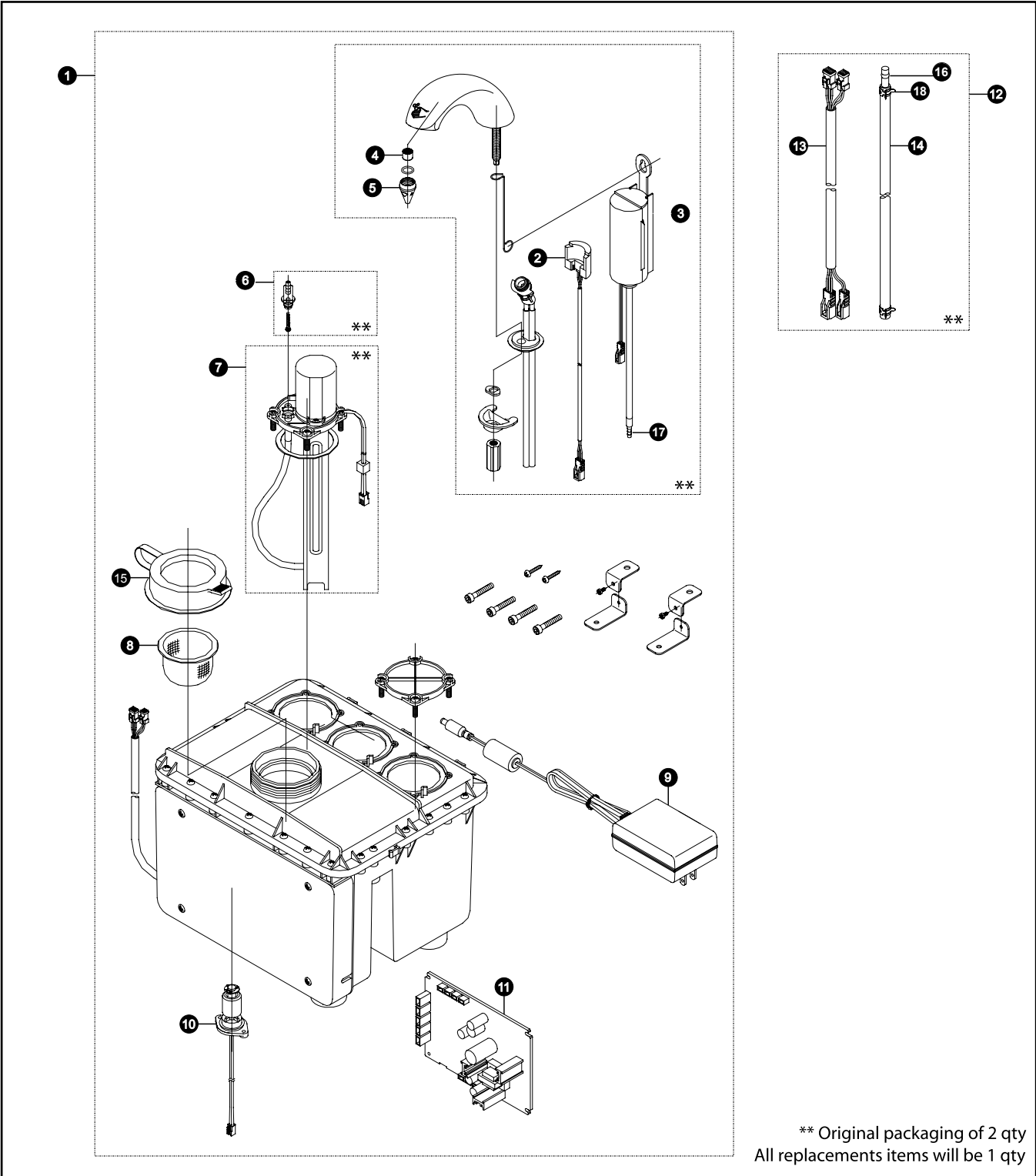


TES2ADC-05

TES2ADC-05
TES122MV100
TN80-1V100

TOTO Soap Dispenser Two Spouts, Single Hole Mount Each 5 Meter Connection Cable



TES2ADC-05
 TES122MV100
 TN80-1V100

TOTO Soap Dispenser Two Spouts, Single Hole Mount Each 5 Meter Connection Cable

Item	Part	Description
1	TES122MV100	Eco Soap Dispenser w/two Spout
2	58118R	Sensor
3	54093	Air Pump
4	95843	Inside Tube
5	231511T1	Nozzle
6	190522R	Check Valve
7	54090RT1	Soap Pump
8	66506	Strainer - Base Unit
9	55067ST1	AC Adapter
10	54091	Level Sensor
11	55092T1	Controller
12	TN80-1V100	Tube Cord Unit - 5m
13	56102RT2	Sensor & Air Pump Cords (5m = 16.4ft)
14	92461T1	Liquid Soap Tube (5m = 16.4ft)
15	THP4796A	Cap, 1 Gallon Tank
16	THP3059	Soap Tube Connector (Metal)
17	THP3060	Air Tube Connector (Plastic)
18	THP3061	Hose Clamp

Note:

Replacement EcoSoap 1 gallon container @ 4 qty use TSFB1.
 Replacement EcoSoap 5 gallon container @ 1 qty use TSFB5.

Product Number Explanations

Soap Dispenser

- (T) Fitting
- (E) Electronic
- (S) Soap Dispenser
- (2) Two Spout
- (A) AC Transformer
- (D) Dispenser
- (C) Chrome Finish
- (05) 5M Cable