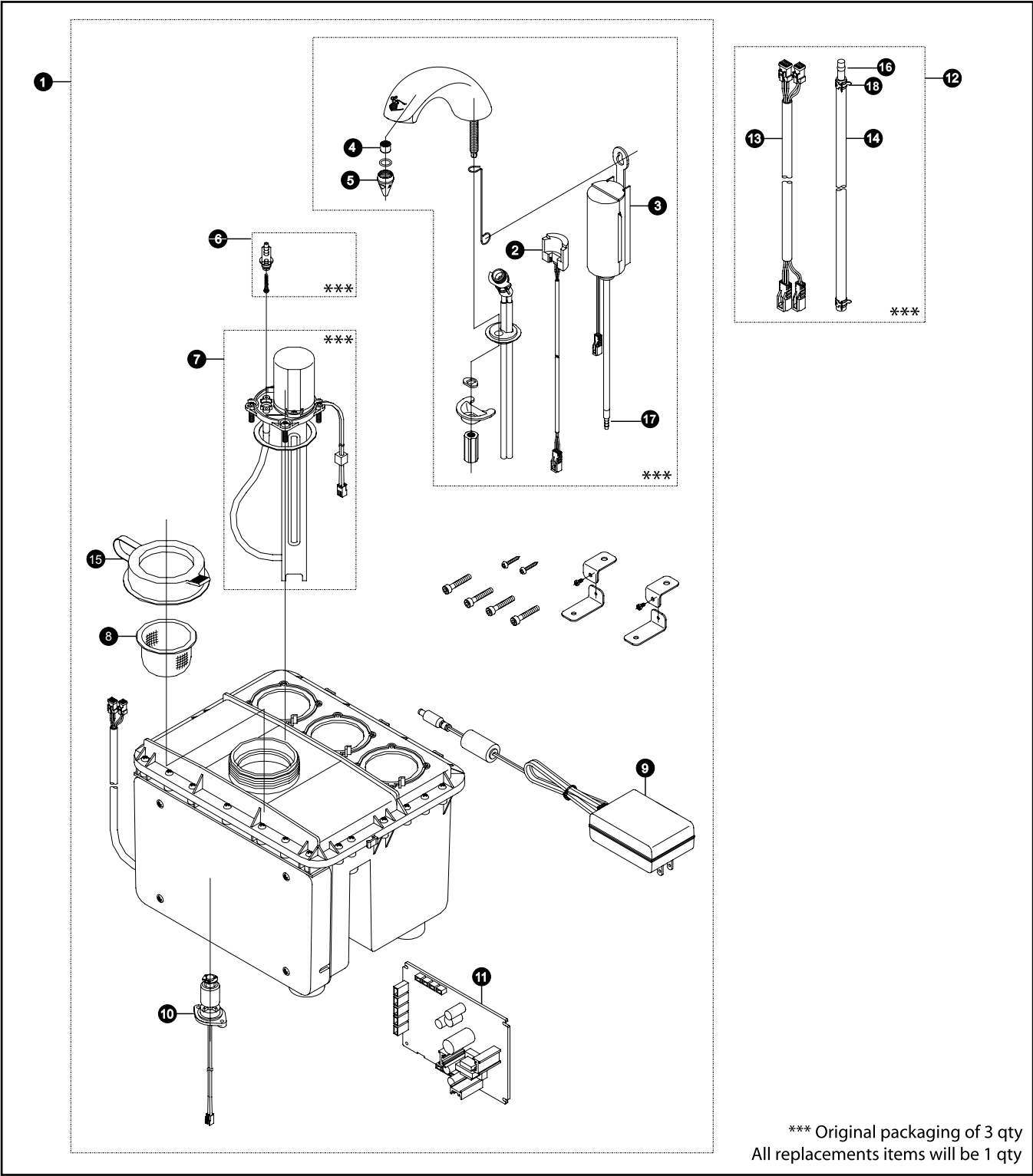


TES3ADC-05

TES3ADC-05
TES123MV100
TN80-1V00

TOTO Soap Dispenser Three Spouts, Single Hole Mount Each 5 Meter Connection Cable



TES3ADC-05
 TES123MV100
 TN80-1V00

TOTO Soap Dispenser Three Spouts, Single Hole Mount Each 5 Meter Connection Cable

Item	Part	Description
1	TES123MV100	Eco Soap Dispenser w/three Spout
2	58118R	Sensor
3	54093	Air Pump
4	95843	Inside Tube
5	231511T1	Nozzle
6	190522R	Check Valve
7	54090RT1	Soap Pump
8	66506	Strainer - Base Unit
9	55067ST1	AC Adapter
10	54091	Level Sensor
11	55092T1	Controller
12	TN80-1V100	Tube Cord Unit - 5m
13	56102RT2	Sensor & Air Pump Cords (5m = 16.4ft)
14	92461T1	Liquid Soap Tube (5m = 16.4ft)
15	THP4796A	Cap, 1 Gallon Tank
16	THP3059	Soap Tube Connector (Metal)
17	THP3060	Air Tube Connector (Plastic)
18	THP3061	Hose Clamp

Note:

Replacement EcoSoap 1 gallon container @ 4 qty use TSFB1.
 Replacement EcoSoap 5 gallon container @ 1 qty use TSFB5.

Product Number Explanations

Soap Dispenser
 (T) Fitting
 (E) Electronic
 (S) Soap Dispenser
 (2) Two Spout
 (A) AC Transformer
 (D) Dispenser
 (C) Chrome Finish
 (05) 5M Cable