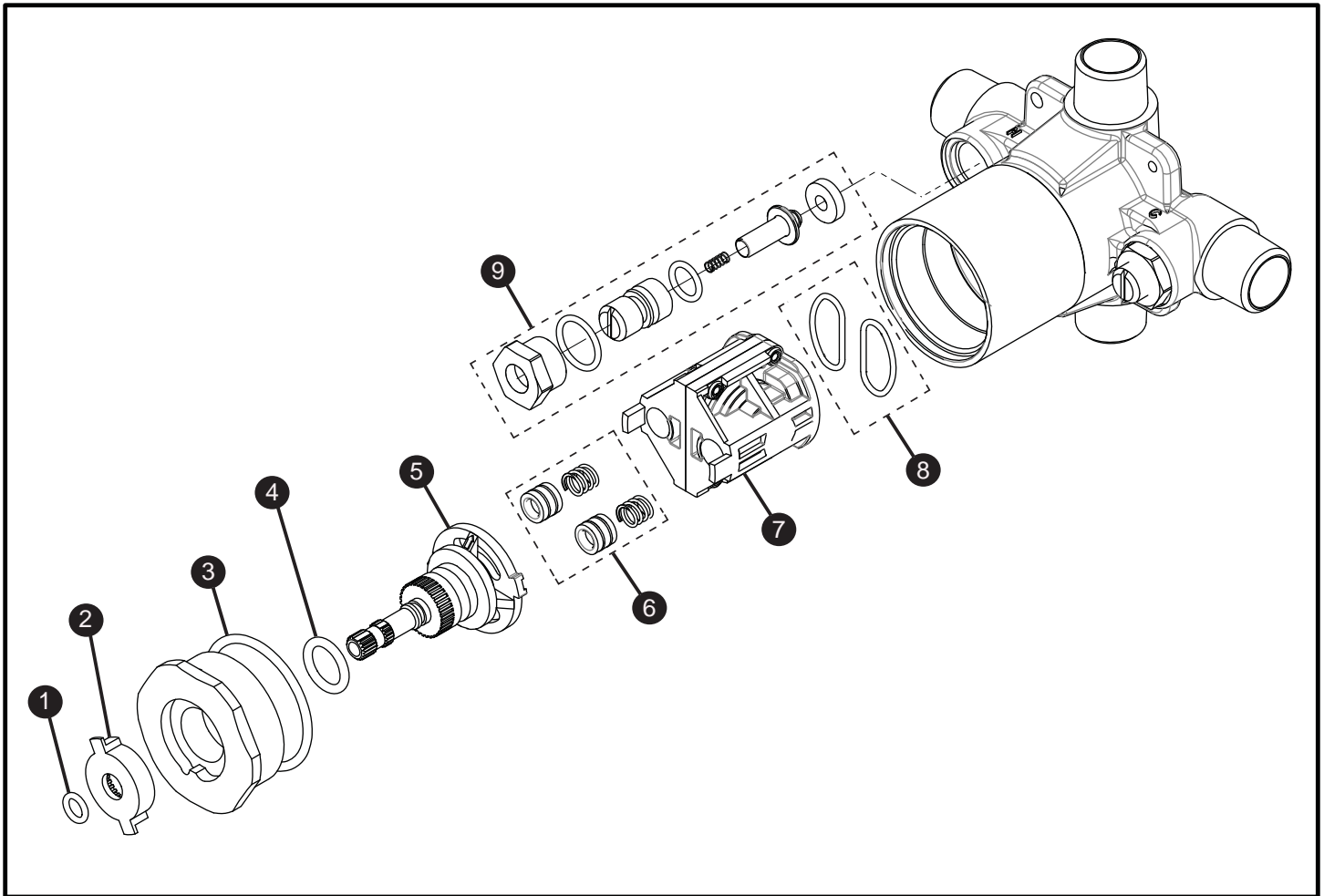


Pressure Balance Valve



Part	Description	Included Parts
THP4805	Major Repair Kit	1, 2, 3, 4, 5, 6, 7, 8
THP4806	Minor Repair Kit	1, 3, 4, 6, 8
THP4807	Check/Stop Valve Kit (2 sets)	9