

TOTO®

CST423EF(G)

EcoPromenade Close Coupled Toilet, 1.28 GPF



CST423EF - EcoPromenade Close Coupled Toilet with SS113 - SoftClose Seat



E-Max® Technology: Quiet, powerful, commercial grade flushing performance.



Choose a SoftClose® toilet seat, or upgrade to a Washlet.



Fast Flush: New, wide 3" flush valve is 125% larger than conventional 2" flush valves.



SanaGloss® glaze seals the surface, creating a finish that actually repels stains caused by buildup of mineral deposits.



- Traditional design with stately lines
- Powerful and quiet flush
- Promenade design suite: Matching pedestal and self-rimming lavatories
- Large water surface
- Universal Height

High profile, round, close coupled toilet. Low consumption (1.28 Gpf/4.8 Lpf) gravity flushing action.

Tank cover, fittings, chrome plated trip lever less seat.

■ **CST423EF**

Round, 12" rough-in, less seat.

■ **CST423EFG**

Round, 12" rough-in, less seat. SanaGloss glazing. (Available only in: #01 Cotton)

□ **C423EF**

Round front bowl only, 12" rough-in.

□ **C423EFG**

Round front bowl only, 12" rough-in. SanaGloss glazing. (Available only in: #01 Cotton)

□ **ST424E**

Promenade tank and cover only. Complete with tank trim and coupling components.

□ **SS113**

SoftClose: Seat and lid gently close with a touch of a hand. Round, closed front seat with lid.

Colors: #01 Cotton, #11 Colonial White, #12 Sedona Beige, #03 Bone, & #51 Ebony

Trip Lever:

Standard #CP Chrome Plated

Optional See price book for additional finishes

TOTO USA, Inc. recommends the use of a nationally listed, double sanitary tee-wye, in vertical waste stacks, in accordance with the stipulations noted in the majority of nationally recognized plumbing codes.



ADA Compliant

For installation condition with approach from the left hand side.

CST423EF(G)

EcoPromenade Close Coupled Toilet, 1.28 GPF

■ PERFORMANCE

The TOTO® E-Max® low consumption toilets received high ratings during ANSI/ASME and CSA testing at independent laboratories. Designed with a powerful siphon jet flushing action, the toilet offers a large water surface and a glazed trapway. Promenade toilets are designed to match the Promenade Lavatory Suite.

■ SPECIFICATIONS

Water Use: 1.28 Gpf / 4.8 Lpf
 Flush System: Gravity Feed
 Min. Water Pressure: 8 psi
 Water Surface: 8-7/8" x 6-3/8"
 Trap Diameter: 2-1/8"
 Rough-in: 12" rough in
 Trap Seal: 2-1/4"
 Material: Vitreous china
 Warranty: One Year Limited Warranty

Shipping Weight: **C423EF(G) - Bowl** 48 lbs.
ST424E - Tank 41.5 lbs.

Shipping Dimensions:

C423EF(G) - Bowl

27"L x 10-3/4"W¹ x 16"W² x 17-1/2"H

ST424E - Tank

20-1/2"L x 9-1/2"W x 21-3/4"H

Fixture dimensions and hydraulic performance meet or exceed ANSI/ASME standard A112.19.2 and CAN/CSA B 45 requirements.

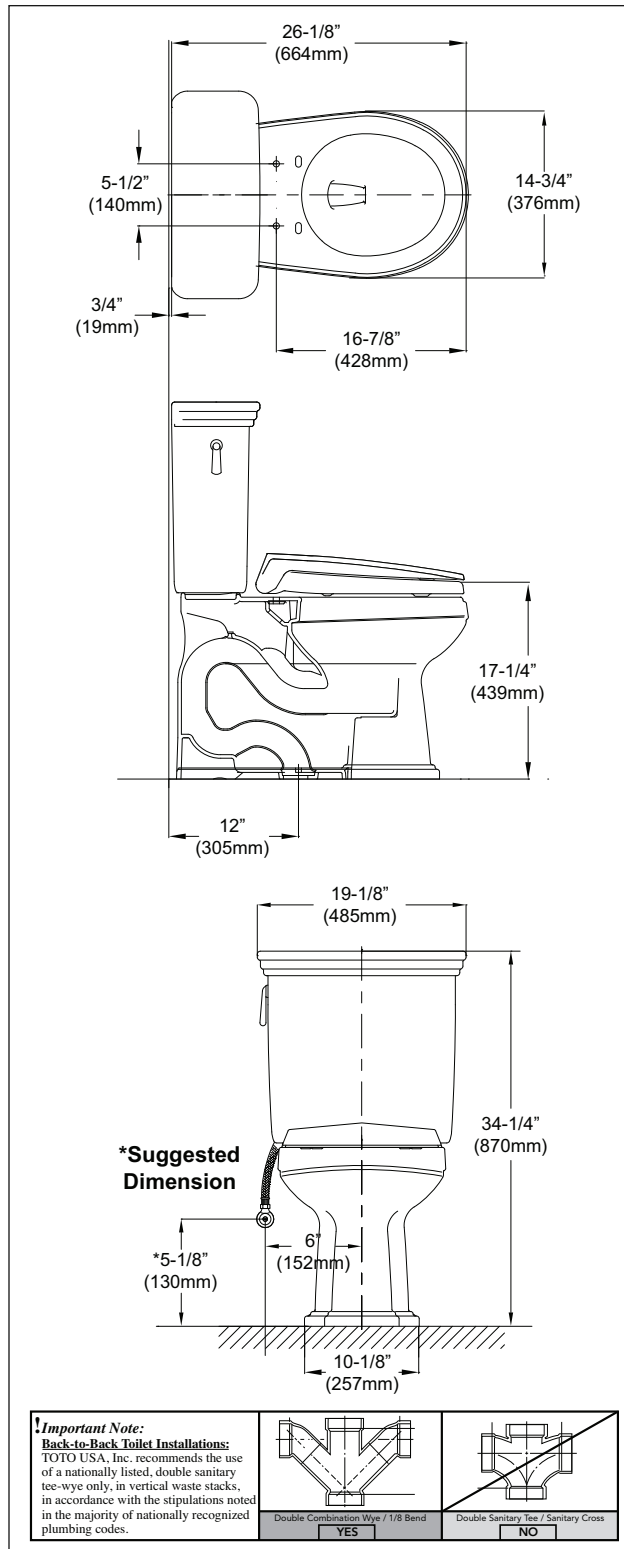
Listing and approval: IAPMO/UPC, CSA, City of Los Angeles, State of MA, and others

Meets and exceeds ASME A112.19.2 standards for drainline carry distance with a 2% grade and 4" I.D. pipe.



Meets the American Disabilities Act Guidelines and ANSI A117.1 For installation condition with approach from the left hand side.

These dimensions and specifications are subject to change without notice.



CST423EF(G) - Eco Promenade Close Coupled Toilet

TOTO®

TOTO U.S.A., INC. • 1155 Southern Road, Morrow, GA 30260
 Tel. (888) 295-8134 • Fax. (800) 699-4889 • www.totousa.com
 Printed in U.S.A. © TOTO LTD. 05/08 #SS-00217 v.05

Printed on recycled paper

REV 05/09