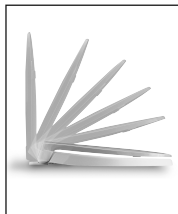
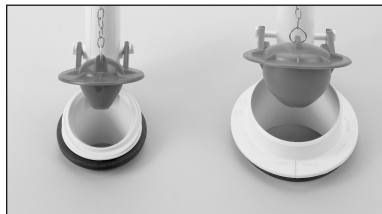


TOTO®**CST423SF(G)**
Promenade® Close Coupled Toilet, 1.6 GPF**CST423SF - Promenade® Close Coupled Toilet with SS113 - SoftClose Seat**

G-Max® Technology: Quiet, powerful, commercial grade flushing performance.



Choose a SoftClose® toilet seat, or upgrade to a Washlet™.



Fast Flush: New, wide 3" flush valve is 125% larger than conventional 2" flush valves.

- Traditional design with stately lines
- Powerful and quiet flush
- Promenade® design suite: Matching pedestal and self-rimming lavatories
- Large water surface
- Universal Height

High profile, round, close coupled toilet. Low consumption (1.6 Gpf/6.0 Lpf) gravity flushing action.

Tank cover, fittings, chrome plated trip lever less seat.

■ **CST423SF**

Round, 12" rough-in, less seat.

■ **CST423SFG**

Round, 12" rough-in, less seat. SanaGloss glazing. (Available only in: #01 Cotton)

□ **C423EF**

Round front bowl only, 12" rough-in.

□ **C423EFG**

Round front bowl only, 12" rough-in. SanaGloss glazing. (Available only in: #01 Cotton)

□ **ST424S**

Promenade® tank and cover only. Complete with tank trim and coupling components.

□ **SS113**

SoftClose: Seat and lid gently close with a touch of a hand. Round, closed front seat with lid.

TOTO USA, Inc. recommends the use of a nationally listed, double sanitary tee-wye only, in vertical waste stacks, in accordance with the stipulations noted in the majority of nationally recognized plumbing codes.

 **ADA Compliant**

For installation condition with approach from the left hand side.

Colors: #01 Cotton, #11 Colonial White, #12 Sedona Beige, #03 Bone, #51 Ebony

Trip Lever:

Standard #CP Chrome Plated

Optional See price book for additional finishes

CST423SF(G)

Promenade® Close Coupled Toilet, 1.6 GPF

■ PERFORMANCE

The TOTO 1.6 GPF toilet scored the highest possible rating in independent laboratory performance tests. With a powerful and quiet flush design, the toilet also offers a large water surface. Promenade® toilets are designed to match the Promenade® Lavatory Suite.

■ SPECIFICATIONS

Water Use:	1.6 Gpf / 6.0 Lpf
Flush System:	Gravity Feed
Min. Water Pressure:	8 psi
Water Surface:	8-7/8" x 6-3/8"
Trap Diameter:	2-1/8"
Rough-in:	12" rough in
Trap Seal:	2-1/4"
Material:	Vitreous china
Warranty:	One Year Limited Warranty

Shipping Weight:	C423EF(G) - Bowl 48 lbs.
	ST424S - Tank 41.5 lbs.

Shipping Dimensions:

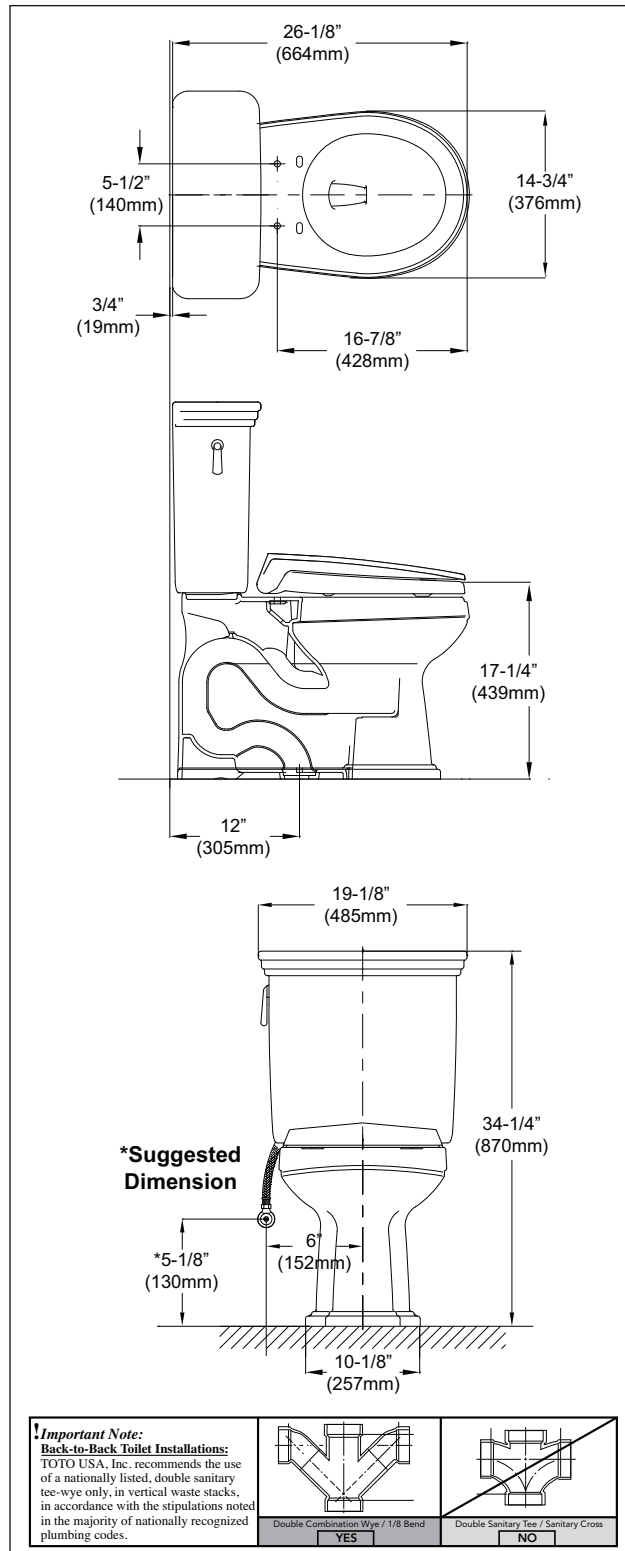
C423EF(G) - Bowl
27"L x 10-3/4"W ¹ x 16"W ² x 17-1/2"H
ST424S - Tank
20-1/2"L x 9-1/2"W x 21-3/4"H

Fixture dimensions and hydraulic performance meet or exceed ANSI/ASME standard A112.19.2 and CAN/CSA B 45 requirements.

Listing and approval: IAPMO/UPC, CSA, City of Los Angeles, State of MA, and others

Meets the American Disabilities Act Guidelines and ANSI A117.1. For installation condition with approach from the left hand side.

These dimensions and specifications are subject to change without notice.



CST423SF(G) - Promenade® Close Coupled Toilet

TOTO®

TOTO U.S.A., INC. • 1155 Southern Road, Morrow, GA 30260
 Tel. (888) 295-8134 • Fax. (800) 699-4889 • www.totousa.com
 Printed in U.S.A. © TOTO LTD. 05/08 #A10490

Printed on recycled paper

REV 03/09