

TOTO®

CST744EF(R).10

Eco Drake® Close Coupled Toilet, 1.28GPF

FEATURES

- E-Max® flushing system, low consumption (1.28GPF/4.8LPF)
- Universal Height
- Two-piece design with high-profile tank
- Elongated front bowl and tank set, less seat
- ADA compliant
- Chrome trip lever
- 10" Rough-in, less supply

MODELS

- CST744EF.10#01
Elongated bowl, 10" rough-in, less seat
- CST744EFR.10#01
Same as above with right hand trip lever

COMPONENTS

- C744EF.10 - Elongated Front Bowl, 10" rough-in
- ST743E - Tank and Cover only - Left-hand trip lever
- ST743ER - Tank and Cover only - Right-hand trip lever
- SS114 SoftClose® seat (sold separately)
- SC134 commercial seat (sold separately)
- SC534 commercial seat (sold separately)

COLORS/FINISHES

- Standard
#01 Cotton

PRODUCT SPECIFICATION

The two-piece low consumption E-Max flushing system toilet shall be 1.28GPF/4.8LPF. Toilet shall be at universal height and be ADA compliant. Toilet shall have high-profile tank, elongated front bowl and Chrome trip lever. Toilet shall be TOTO Model CST744EF____#01.



E-MAX™
FLUSHING SYSTEM BY TOTO

CODES/STANDARDS

- Meets and exceeds ASME A112.19.2/CSA B45.1
- Certifications: IAPMO(cUPC), EPA Watersense, State of Massachusetts, City of Los Angeles, and others
- Code compliance: UPC, IPC, NSPC, NPC Canada, and others
- Legislative Compliance: California AB715, California Green Building Code, City of Los Angeles Water Efficiency Ordinance
- ADA compliant (when installed with trip lever located on the approach side)



CST744EF(R).10

Eco Drake® Close Coupled Toilet, 1.28GPF

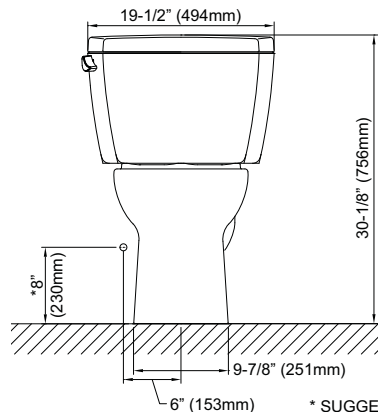
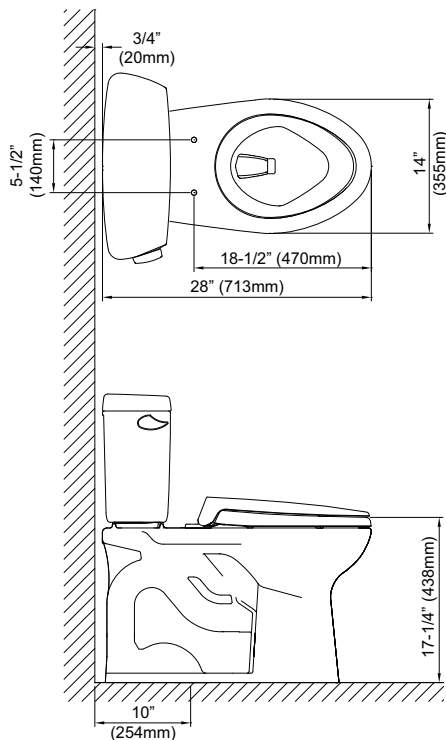
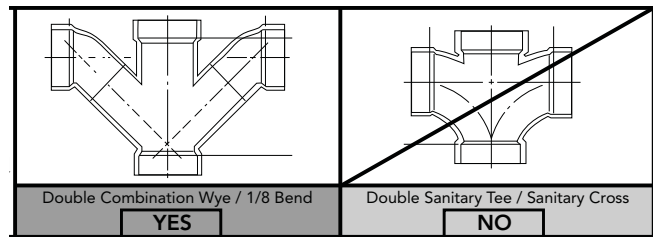
SPECIFICATIONS

- Water Use 1.28 GPF/4.8LPF
- Flush System E-Max
- Min. Water Pressure 8 psi (static)
- Water Surface 7-7/8" x 10-5/16"
- Trap Diameter 2-1/8"
- Rough-in 10"
- Trap Seal 2-3/8"
- Warranty One Year Limited Warranty
- Material Vitreous china
- Shipping Weight C744EF.10 48 lbs.
ST743E(R) 32 lbs.
- Shipping Dimensions C744EF.10
29" L X 15" W1 X
10-1/2" W2 X 17-1/8" H

ST743E(R)
18" L X 9" W X 16" H

INSTALLATION NOTES

Back-to-Back Toilet Installations:
TOTO recommends the use of a nationally listed, double sanitary tee-wye only, in vertical waste stacks, in accordance with the stipulations noted in the majority of nationally recognized plumbing codes.



TOTO®

These dimensions and specifications are subject to change without notice