

## Kiwami® Renesse® Deck-Mount Bath Faucet - Valve

### FEATURES

---

- Corrosion resistant
- Ceramic disk valve cartridge
- 8" fixed spread
- For use with the TB170DD deck-mount bath faucet trim

### CODES/STANDARDS

---

- Meets or exceeds ASME A112.18.1/CSA B125.1
- Certifications: IAPMO(cUPC), State of Massachusetts, City of Los Angeles, and others
- Code Compliance: UPC, IPC, NSPC, NPC Canada, and others



### PRODUCT SPECIFICATION

---

The deck-mount bath faucet valve shall be corrosion resistant. Deck-mount bath faucet valve shall have ceramic disk valve cartridge. Deck-mount bath faucet valve 8" fixed spread. Deck-mount bath faucet valve shall be TOTO Model TBKT.

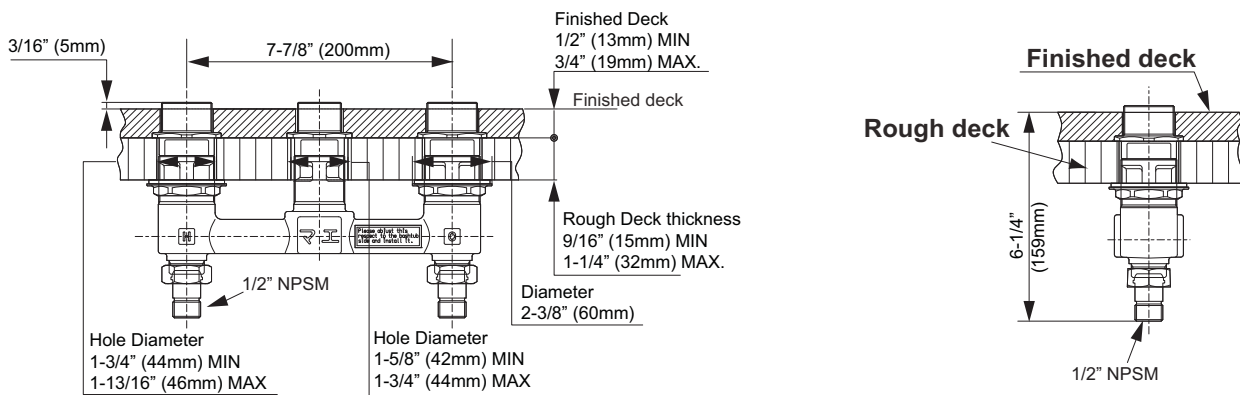
## Kiwami® Renesse® Deck-Mount Bath Faucet - Valve

### SPECIFICATIONS

- Warranty: Lifetime Limited Warranty (Residential Use)  
One Year (Commercial Use)
- Material: Brass
- Shipping Weight: 7.0 lbs.
- Shipping Dimensions: 15" L x 14" W x 4" H

### INSTALLATION NOTES

**FAUCET TRIM REQUIRED:**  
Kiwami® Renesse® deck-mount faucet trim model TB170DD#CP sold separately.



**IMPORTANT NOTE:** This valve/trim can only be installed in a built-up deck. It cannot be installed on pre-finished deck or on tub rim.