

TOTO®

TEL3LW10R & TEL5LW10R Series

Helix® Wall-Mount EcoPower® Faucet

FEATURES

- Hydropower self-generating system
- Sensor faucet with aerated flow
- Self adjusting faucet with control box and mounting hardware, less supply lines
- NSF compliant
- Wall mount

MODELS

- TEL3LW10R - Single Supply - 0.09 gpc
Discharge: On-demand; Up to 10 seconds while activated.
- TELLW100 - Helix Wall-Mount Spout
- TN78-9V710 - Single Supply Controller, 10 sec max
- TEL5LW10R - Thermal Mixing - 0.09 gpc
Discharge: On-demand; Up to 10 seconds while activated.
- TELLW100 - Helix Wall-Mount Spout
- TN78-10V710 - Thermal Mixing Controller, 10 sec max

COLORS/FINISHES

- #CP Polished Chrome

PRODUCT SPECIFICATION

TOTO Model # _____ Automatic infrared sensor activated faucet. Anti-scald, thermal mixing chamber (thermal faucets only). Automatic sensor adjustment on installation.

Maximum discharge 0.09 gallon per 10 second cycle which is 55% below CALGreen's baseline and 64% below Federal baseline.

Single hole faucet with optional 4" and 8" cover plates.



CODES/STANDARDS

- Exceeds mandatory baseline, 0.20 gallon/cycle of California Green Building Code, CALGreen
- Meets or exceeds ASME A112.18.1M/CSA B125.1, NSF 61-9, and ASSE 1070*
- Certifications: IAPMO(cUPC), ASSE, State of Massachusetts, and others
- California Green Code and City of Los Angeles Water Efficiency Ordinance
- ADA compliant
- Complies with federal and state statutes as lead-free



**Note: ASSE 1070 supersedes ASSE1016 for non-shower point of use devices. Applies to TEL5 series models.*

TEL3LW10R & TEL5LW10R Series

Helix® Wall-Mount EcoPower® Faucet

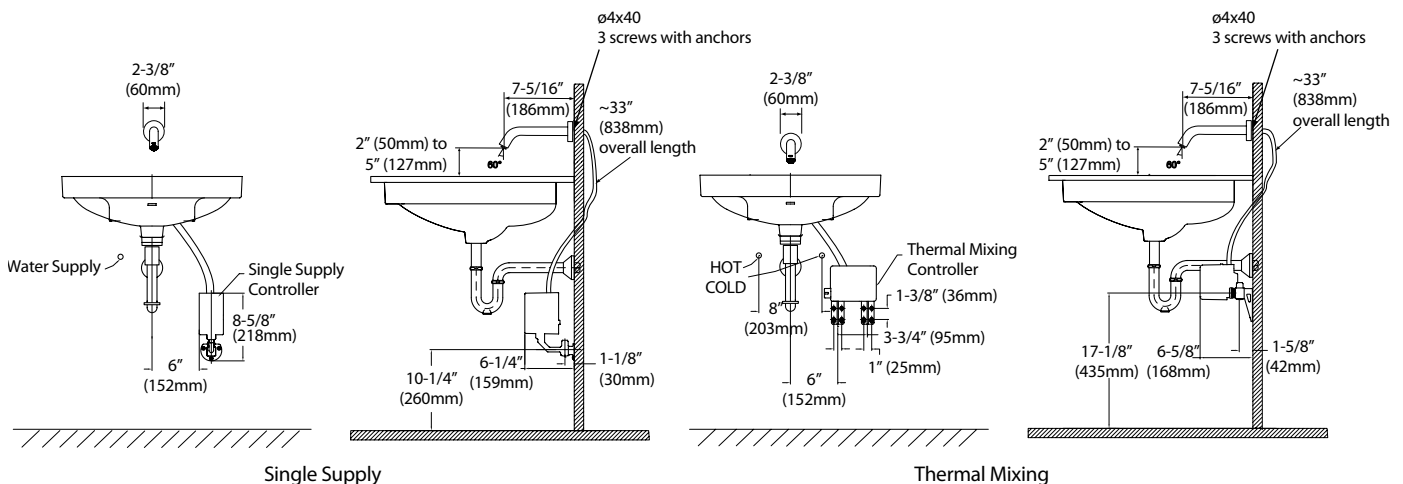
SPECIFICATIONS

- **Warranty** Three year warranty
- **Material** Brass
- **Power Supply** Hydropower self-generating system
- **Hot/Cold-Water Supply** Minimum Pressure (dynamic): 20PSI (0.07MPa)
Maximum Pressure (static): 80PSI (0.55MPa)
- **Flow Rate** 0.09 gallons per cycle (0.5 gallons per minute/max. 10 seconds discharge)
- **Water Supply Connect** 1/2" NPSM Male
- **Water Saving Function** Automatically turns OFF when user removes hands
Maximum continuous run time is 10 seconds
- **Detection Time** ON feature: Immediate
OFF feature: 1 second delay
- **Detection Range** Factory set at 2-1/4"
Faucet automatically sets the detection range according to the size of the basin
- **Discharge Water Temperature Control Range** Thermal Mixing Faucet: Cold water - 104°F (Max) (When used under standard conditions)
- **Anti-scald Safety Feature** Provides the user protection against exposure to excessive water temperature (Thermal mixing faucet, only)

NOTE

Following the Federal mandate for water efficiency outlined in the Environmental Protection Act of 1992, Faucets can be rated for water consumption based on two categories: flow rate and water consumption. With the "Water Consumption" standard, a faucet must not use more than 0.25 gallons of water per cycle. TOTO® faucet with a 10 second cycle uses 0.09 gallons of water, or 0.5 gallons per minute. This is 64% and 55% below Federal baseline of 0.25gpc and 55% below Calgreen's baseline of 0.20gpc. Furthermore, an innovative design feature incorporated into all TOTO electronic faucets is an "ON-DEMAND" mode. This means that the faucet will only deliver water as needed and will not run the entire duration of its rated cycle. This guarantees additional water savings. TOTO uses water consumption standard because it is the most accurate method of measuring water use. This method of measurement can be incorporated into water usage calculations for various efficiency programs. For more information, please consult www.totousa.com

*Water pressures over 80 psi are not recommended for most plumbing fixtures.



TOTO®

These dimensions and specifications are subject to change without notice