

Kiwami® Renesse® Thermostatic Mixing Valve Trim

FEATURES

- For use with Thermostatic Mixing Valve (TSKT)

COLORS/FINISHES

- #CP Polished Chrome

CODES/STANDARDS

- Meets or exceeds ASME A112.18.1/CSA B125.1, ASSE 1016
- Certifications: IAPMO(cUPC), State of Massachusetts and others
- Code Compliance: UPC, IPC, NSPC, NPC Canada, and others



PRODUCT SPECIFICATION

Thermostatic mixing valve shall be TOTO Model TS170T#____ and required valve shall be TSKT.

TS170T

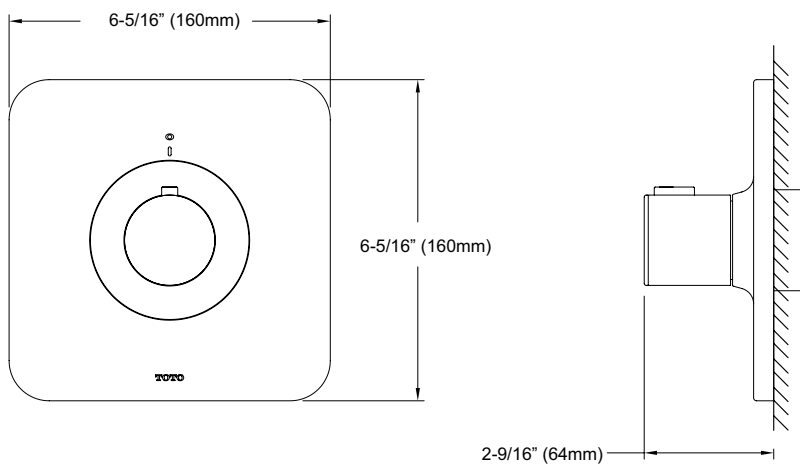
Kiwami® Renesse® Thermostatic Mixing Valve Trim

SPECIFICATIONS

- Warranty Lifetime Limited Warranty (Residential Use)
One Year (Commercial Use)
- Material Brass
- Shipping Weight 5.9 lbs.
- Shipping Dimensions 11-3/4" L x 10-3/4" W x 3-1/2" H

INSTALLATION NOTES

VALVE REQUIRED:
Kiwami® Renesse® Thermostatic mixing valve model TSKT sold separately.



TOTO®

These dimensions and specifications are subject to change without notice