

FEATURES

- Shape Memory Alloy (SMA) coil allows faster water temperature response than conventional wax-type thermostatic valves
- Corrosion resistant

TSTAR

- SMA Thermostatic mixing valve with single volume control

TSTD

- SMA Thermostatic mixing valve with dual volume control

CODES/STANDARDS

- Meets or exceeds ASME A112.18.1/CSA B125.1, ASSE 1016
- Certifications: IAPMO(cUPC), State of Massachusetts and others
- Code Compliance: UPC, IPC, NSPC, NPC Canada, and others



PRODUCT SPECIFICATION

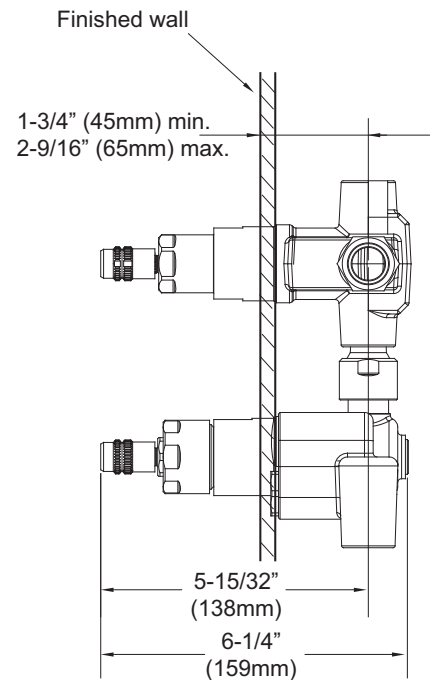
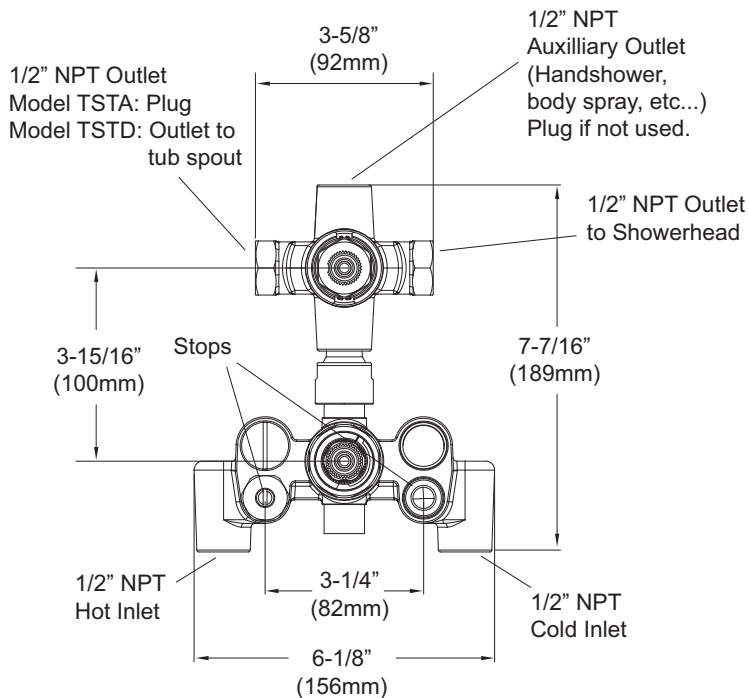
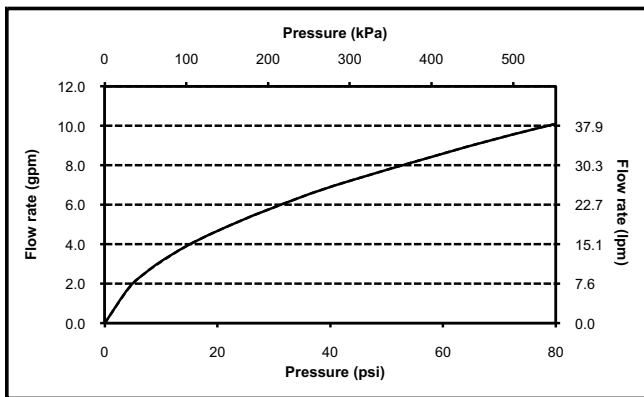
Thermostatic mixing valve shall include Shape Memory Alloy (SMA) for faster water temperature response. Single volume control valve shall be **TOTO Model TSTAR**. Dual volume control valve shall be **TOTO Model TSTD**.

TSTAR & TSTD

SMA Thermostatic Mixing Valve

SPECIFICATIONS

- Warranty: Lifetime Limited Warranty (Residential Use)
One Year (Commercial Use)
- Material: Brass
- Shipping Weight: 7.7 lbs.
- Shipping Dimensions: 11-1/2" L x 7" W x 7" H
- Minimum Flow Rate: TSTAR & TSTD: 1.75 gpm (6.6 lpm)



Model TSTAR requires trim: TS960C(1), TS970C(1), TS794C or TS930C

Model TSTD requires trim: TS960D(1), TS970D(1), TS794D or TS930D

TOTO

These dimensions and specifications are subject to change without notice