

**1. General Description**

- a. Plastic molded seat fitted to powder-coated stainless steel frame, with adjustable-height legs, and removable seat pad
- b. Wide models with U-shaped cutout in seat
- c. Seat is hinged to allow user to fold down for use or fold up for clearance

**2. Item Codes and Descriptions**

- a. 04120P . . . Wide U-shaped seat with blue pad
- b. 04220P . . . Wide U-shaped seat with gray pad
- c. 04185 . . . Seat replacement pad, blue
- d. 04285 . . . Seat replacement pad, gray

**3. Physical Characteristics**

- a. For detailed drawings see next page
- b. White polyethylene molded plastic seat
- c. Stainless steel frame with white powder coating
- d. Closed-cell polyurethane foam seat pad in blue or gray
- e. Includes plugs for seat holes (optional use if pad is removed) and pad retaining caps
- f. Legs adjust in 3/4" increments
- g. Foot on one leg includes a 1" range of fine-height adjustment
- h. U-shaped cutout is 5 1/8" wide x 14 3/4" long
- i. Plastic feet protect floor and prevent slippage
- e. Installer must fasten mounting bracket to solid, structural blocking
- f. Mounting hardware not included; 1/4"-dia. stainless steel fasteners recommended

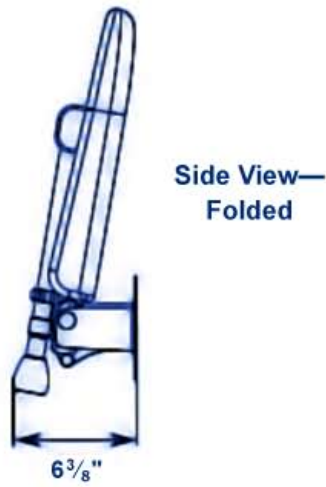
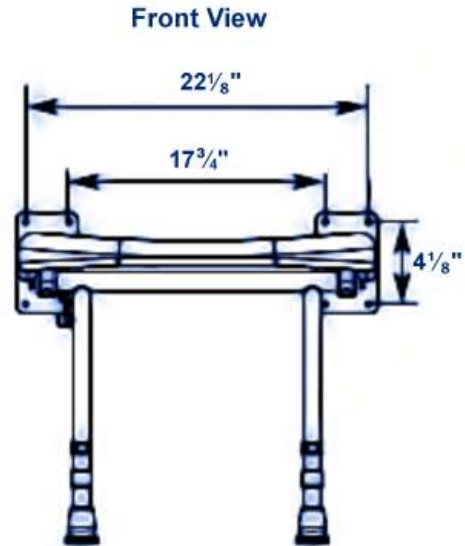
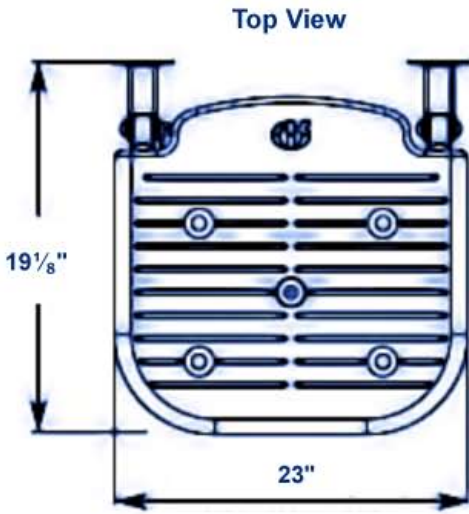
**4. Performance Characteristics**

- a. Nearly 10" range of height adjustment
- b. Hinged seat swings past 90° to remain in folded, upright position
- c. High contrast blue pad aids the vision impaired
- d. U-shaped cutout facilitates improved hygiene
- e. Seat supports up to 560 lbs. when properly installed
- f. Seat pad will not absorb water
- g. Seat pad is removable
- h. Clean and disinfect all surfaces regularly

**5. Other Information**

- a. 5 year limited warranty when installed in commercial settings
- b. 10 year limited warranty when installed in residential settings
- c. See AKW warranty for details





Overall dimensions of all standard seats are identical. U-shaped cutouts are 5 1/8" wide x 14 3/4" long.

